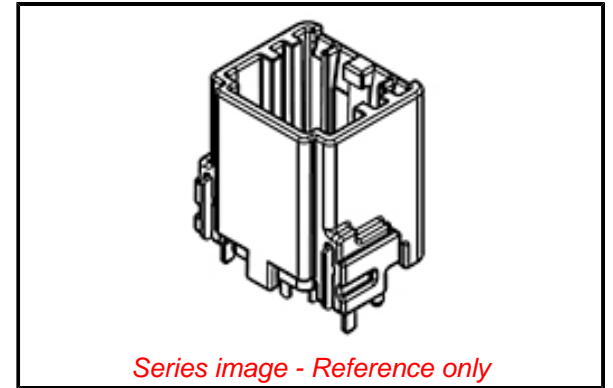


PLEASE CHECK WWW.MOLEX.COM FOR LATEST PART INFORMATION

Part Number: [1600641103](#)
Status: **Active**
Overview: [HSAutoLink Interconnect Systems](#)
Description: HSAutoLink II Unsealed Header, Vertical, 6 Circuits, Key A, Black

Documents:

3D Model	Packaging Specification PK-31302-336 (PDF)
Drawing (PDF)	Datasheet (PDF)
3D Model (PDF)	RoHS Certificate of Compliance (PDF)
Product Specification PS-34861-001-001 (PDF)	



General

Product Family	PCB Headers
Series	160064
Application	Automotive, Signal, Wire-to-Board
Comments	Higher current capability depending of the connector loading, please contact Molex for further technical details.
Overview	HSAutoLink Interconnect Systems
Product Name	HSAutoLink II
UPC	889056197496

Physical

Breakaway	No
Circuits (Loaded)	6
Circuits (maximum)	6
Color - Resin	Black
Durability (mating cycles max)	25
First Mate / Last Break	No
Glow-Wire Capable	No
Guide to Mating Part	No
Keying to Mating Part	Yes
Lock to Mating Part	Yes
Material - Metal	Copper Alloy
Material - Plating Mating	Gold
Material - Plating Termination	Tin
Material - Resin	High Temperature Thermoplastic
Net Weight	2.870/g
Number of Rows	2
Orientation	Vertical
PCB Retention	Yes
PCB Thickness - Recommended	1.60mm
Packaging Type	Embossed Tape on Reel
Pitch - Mating Interface	1.27mm
Pitch - Termination Interface	1.27mm
Plating min - Mating	0.406µm
Plating min - Termination	2.500µm
Polarized to Mating Part	Yes
Polarized to PCB	Yes
Stackable	No
Temperature Range - Operating	-40° to +105°C
Termination Interface: Style	Through Hole

Electrical

Current - Maximum per Contact	1.5A
Voltage - Maximum	36V

EU ELV

Compliant

EU RoHS

Compliant

REACH SVHC

Contained Per -
D(2020)4578-DC (25
June 2020)
perfluorooctanoic acid
decamethylcyclopentasiloxane
disodium 3,3'-[[1,1'-
biphenyl]-4,4'-
diylbis(azo)
diisopentylphthalate
1,2-diethoxyethane
dibutyltin dichloride
1,3-propanesultone
ammoniumpentadecafluorooctanoate
2-ethylhexyl 10-
ethyl-4,4-dioctyl-7-
oxo-8-oxa-3,
2-(2H-benzotriazol-2-
yl)-4,6-
ditertpentylphenol
2-(2H-benzotriazol-2-
yl)-4-(tert-butyl)-6-
(sec-b
1,2-
Benzenedicarboxylic
acid, dihexyl ester,
bra
diisohexyl phthalate
1,2-
benzenedicarboxylic
acid, dipentylester,
bra
n-pentyl-
isopentylphthalate
Boric acid
Nonadecafluorodecanoic
acid (PFDA) and its
sodiu

China RoHS

Material Info

Reference - Drawing Numbers

Packaging Specification
Product Specification
Sales Drawing

PK-31302-336
PS-34861-001-001
SD-160064-1103-000

Tris(4-nonylphenyl,
branched and linear)
phosphi
Perfluorobutane
sulfonic acid (PFBS)
and its sal
Pyrene
Dodecachloropentacyclo[12.2.1.16,9.02,13.05,10]o
Perfluorononan-1-
oic acid
(2,2,3,3,4,4,5,5,6,6,7
Methylhexahydrophthalic
anhydride
reaction mass of
2-ethylhexyl 10-
ethyl-4,4-dioct
Perfluorohexane-1-
sulphonic acid and its
salts
di-n-pentyl phthalate
(DPP)
Lead sulfochromate
yellow
strontium chromate
bis(2-methoxyethyl)
ether
pentazinc chromate
octahydroxide
1,2-dimethoxyethane
1,2-bis(2-
methoxyethoxy)ethane
bis(pentabromophenyl)
ether
cadmium oxide (non-
pyrophoric)
cadmium sulphide
orange lead
lead
cadmium
lead dinitrate
lead oxide sulfate
pentalead tetraoxide
sulphate
dioxobis(stearato)trilead
Lead titanium
zirconium oxide
lead cyanamidate
Sulfurous acid, lead
salt, dibasic
[phthalato(2-)]dioxotrilead
benzo[a]pyrene
4-aminoazobenzene
dihexyl phthalate
(DnHP)
ethylene thiourea

Halogen-Free Status

Low-Halogen

For more information, please visit [Contact US](#)

China ROHS	Green Image
ELV	Compliant
RoHS Phthalates	Not Contained

Search Parts in this Series
160064 Series

This document was generated on 10/27/2020

PLEASE CHECK WWW.MOLEX.COM FOR LATEST PART INFORMATION