

[Product Catalog for Electronic Specialty Markets](#) > [3M™ Cable & Assemblies](#) > [External Wiring](#) > [Round, Shielded/Jacketed, Discrete Wire Cable 3750 Series](#) >

3M™ Round, Shielded/Jacketed, Discrete Wire Cable, 26 AWG Stranded, PVC/PVC, 3750/16, 100 ft.

16 conductors, Twisted Pair

GTIN(UPC/EAN) : 0 00 51138 44039 8

3M Id : 80-6108-1496-6

Characteristics

3M Logo, Position Indicator, Wire Gauge, Insulator Material

(UL) CL2 75C 26 AWG 3M XX AWM II A/B 80C 150V FT1 EU <50V

Balanced Capacitance

18.1 pF/ft (59.4 pF/m)

Balanced Inductance

.18 microHenry/ft (0.59 microHenry/m)

Balanced Propagation Delay

1.82 ns/ft (5.97 ns/m)

Cable Marking

UL CL2 75C 26AWG OR AWM 2464 3M XX CUL AWM IIA/B 80C 150V FT

Cable Style

Round

Capacitance -- Balanced

18.1 Picofarad

Capacitance -- Unbalanced

35.6 Picofarad

Characteristic Impedance -- Balanced

100 Ohm

Characteristic Impedance -- Unbalanced

51 Ohm

Color

Gray

Conductor Material

Copper

Conductor Resistance

41 Ohm

Conductors

28 AWG 7x36 [7x0.127] Tinned Stranded Copper

EPC Can View

Public

EU RoHS Compliant

Yes

First Position Marking

None

Flammability Rating -- Canada

FT1

Flammability Rating -- EU

None

Flammability Rating--USA

N.E.C. 725, CL2

Impedance -- Balanced

100 Ohm

Impedance -- Unbalanced

51 Ohm

Inductance -- Balanced

.18 Microhenry

Inductance -- Unbalanced

.09 Microhenry

Insulation Material

Polyvinyl Chloride (PVC)

Insulation Resistance	(Primary Cable) >1x10 ¹⁰ Ohm/10ft [3m]
Jacket	Yes
Jacket Color	Gray
Jacket Material	Polyvinyl Chloride (PVC)
Lower Temperature Rating	0 Degree Celsius
Material	Polyvinyl Chloride (PVC)
Number of Conductors	16
Plating Material	None
Primary Configuration	Twisted Pair
Primary Insulation Color	Multi
Primary Insulation Material	Polyvinyl Chloride (PVC)
Primary Material	PVC
Propagation Delay -- Balanced	1.81 Nanosecond
Propagation Delay -- Unbalanced	1.82 Nanosecond
Shape	Round
Shield	Yes
Shield Material	.001 [0.03] Thick Aluminum/Polyester Film Foil and 90% Cover
Shielding	.001 [0.03] Thick Aluminum/Polyester Film Foil and 90% Coverage Tinned Copper Braid
Stranding	7 X 34 [7 X 0.160]
Temperature Rating: Canada	80 Degree C
Temperature Rating: USA	CL2; 75 Degree C Max
UL File Number	E118773
UL Listed -- USA	N.E.C. Article 725, CL2
UL Recognized -- USA	AWM Style 2464
UL Recognized-- Canada	IIA/B
Unbalanced Capacitance	35.6 pF/ft (116.8 pF/m)
Unbalanced Inductance	.09 microHenry/ft (0.30 microHenry/m)
Unbalanced Propagation Delay	1.81 ns/ft (5.94 ns/m)
Upper Temperature Rating -- Canada	80 Degree Celsius
Upper Temperature Rating -- USA	75 Degree Celsius
Velocity of Propagation--Balanced	56%
Velocity of Propagation--Unbalanced	56%
Voltage Rating -- Canada	150 Volt
Voltage Rating -- EU	>0 to <50 Volt
Voltage Rating--USA	N.E.C. 725, CL2 AWM 300V
Voltage Rating: Canada	150V
Voltage Rating: EU	<50V
Wire Gauge	26 American Wire Gauge (AWG)

[Product Catalog for Electronic Specialty Markets](#) > [3M™ Cable & Assemblies](#) > [External Wiring](#) > [Round, Shielded/Jacketed, Discrete Wire Cable 3750 Series](#) > [3M™ Round, Shielded/Jacketed, Discrete Wire Cable, 26 AWG Stranded, PVC/PVC, 3750/16, 100 ft.](#)

3M™ Round, Shielded/Jacketed, Discrete Wire Cable, 26 AWG Stranded, PVC/PVC, 3750/16, 100 ft.

Packaging

3M Id: 80-6108-1496-6

Minimum Order Quantity: 3.0 RLS

Case Quantity: 3.0 RLS

	English	Metric
Length	10.8 INCH	0.274 MTR
Width	10.4 INCH	0.264 MTR
Height	4.9 INCH	0.124 MTR
Gross Weight	8.2500 LBS	3.7421 KG

3M™ Round, Shielded/Jacketed, Disc. Wire Cable

26 AWG Stranded, Twisted Pair, PVC/PVC

3750 Series




- Meets external wiring requirements of National Electrical Code, Article 725 (CL2)
- 26 AWG wire carries higher power levels in I/O harness
- Twisted pairs reduce crosstalk for balanced drive applications
- Dual shielding provides 35 db average shielding
- Wires are color-coded for easy identification
- RoHS* compliant

Date Modified: May 17, 2006

TS-0072-22
Sheet 1 of 2

Physical

Jacket Material: Polyvinyl Chloride (PVC)
Color: Gray
Primary Material: PVC
Marking Standard: (UL) CL2 75C 26 AWG 3M XX C  AWM II A/B 80C 150V FT1 EU <50V (where XX may be MR or NU)
Conductors: 26 AWG 7 × 34 [7 × 0.160] Tinned Stranded Copper
Shielding: .001 [0.03] Thick Aluminum/Polyester Film Foil and 90% Coverage Tinned Copper Braid

Electrical

Voltage Rating:	USA: N.E.C. 725, CL2	AWM 300V	Canada: 150V	EU: <50V
Insulation Resistance:	(Primary Cable) > 1 × 10 ¹⁰ Ω/10 ft. [3m]			
	Unbalanced	Balanced		
Characteristic Impedance:	51 Ω	100 Ω		
Capacitance:	35.6 pF/ft (116.8 pF/m)	18.1 pF/ft (59.4 pF/m)		
Inductance:	.09 μH/ft (0.30 μH/m)	.18 μH/ft (0.59 μH/m)		
Propagation Delay:	1.82 ns/ft (5.97 ns/m)	1.81 ns/ft (5.94 ns/m)		
Velocity of Propagation:	56%	56%		

Note: Unbalanced is measured between conductors within a pair with one conductor connected to the shield. Balanced is measured between conductors within a pair with the shield floating.

Environmental

Temperature Rating: USA: CL2: 75°C Max Canada: 80°C
Flammability Rating: USA: N.E.C. 725, CL2 Canada: FT1

* RoHS = Directive 2002/95/EC, Restriction of the Use of Certain Hazardous Substances in Electrical and Electronic Equipment
"RoHS compliant" means that the product or part does not contain any of the following substances in excess of the following maximum concentration values in any homogeneous material, unless the substance is in an application that is exempt under RoHS: (a) 0.1% (by weight) for lead, mercury, hexavalent chromium, polybrominated biphenyls or polybrominated diphenyl ethers; or (b) 0.01% (by weight) for cadmium. Unless otherwise stated by 3M in writing, this information represents 3M's knowledge and belief based upon information provided by third party suppliers to 3M.

UL File No.: E118773, Power limited Circuit Cable; CL2

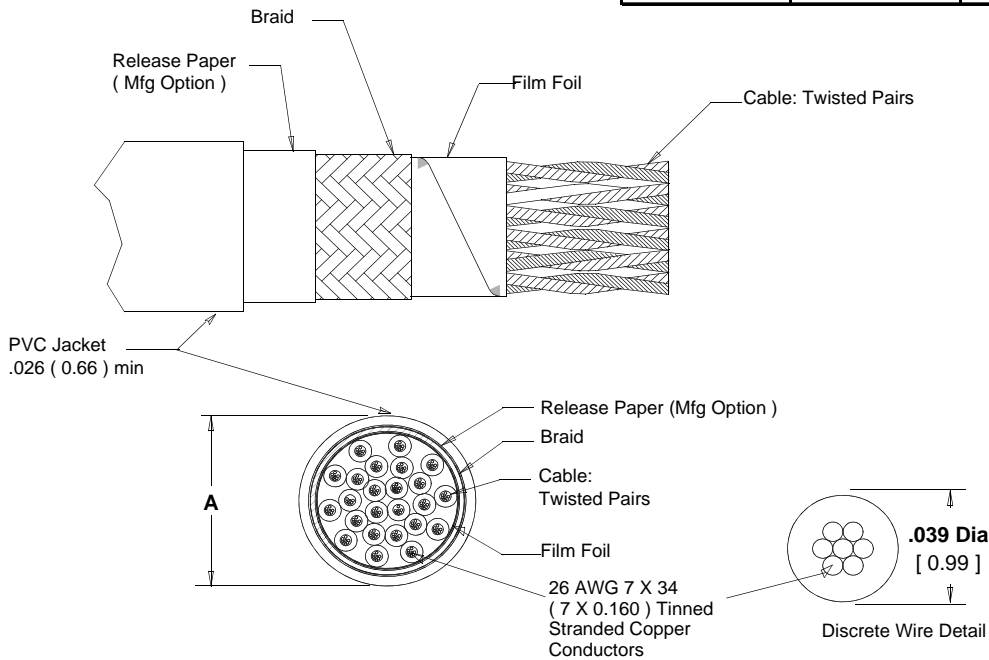
3M™ Round, Shielded/Jacketed, Disc. Wire Cable

26 AWG Stranded, Twisted Pair, PVC/PVC

3750 Series



Number of Conductors	3M Part Number	Dimension A ± .03
10 (5 Pair)	3750/10	.26 [6.6]
16 (8 Pair)	3750/16	.31 [7.9]
26 (13 Pair)	3750/26	.37 [9.4]
38 (19 Pair)	3750/38	.43 [10.9]
50 (25 Pair)	3750/50	.49 [12.4]
60 (30 Pair)	3750/60	.52 [13.2]



Pair Identification													
Pairs	Cond	1st Conductor		Cond	2nd Conductor		Pairs	Cond	1st Conductor		Cond	2nd Conductor	
		Solid	Band		Solid	Band			Solid	Band		Solid	Band
1	1	Black	Red	2	Red	Black	17	33	Green	Brown	34	Brown	Green
2	3	Black	White	4	White	Black	18	35	Green	Orange	36	Orange	Green
3	5	Black	Green	6	Green	Black	19	37	White	Blue	38	Blue	White
4	7	Black	Blue	8	Blue	Black	20	39	White	Yellow	40	Yellow	White
5	9	Black	Yellow	10	Yellow	Black	21	41	White	Brown	42	Brown	White
6	11	Black	Brown	12	Brown	Black	22	43	White	Orange	44	Orange	White
7	13	Black	Orange	14	Orange	Black	23	45	Blue	Yellow	46	Yellow	Blue
8	15	Red	White	16	White	Red	24	47	Blue	Brown	48	Brown	Blue
9	17	Red	Green	18	Green	Red	25	49	Blue	Orange	50	Orange	Blue
10	19	Red	Blue	20	Blue	Red	26	51	Brown	Yellow	52	Yellow	Brown
11	21	Red	Yellow	22	Yellow	Red	27	53	Orange	Yellow	54	Yellow	Orange
12	23	Red	Brown	24	Brown	Red	28	55	Brown	Orange	56	Orange	Brown
13	25	Red	Orange	26	Orange	Red	29	57	Violet	Red	58	Red	Violet
14	27	Green	White	28	White	Green	30	59	Violet	White	60	White	Violet
15	29	Green	Blue	30	Blue	Green	31	61	Violet	Green	62	Green	Violet
16	31	Green	Yellow	32	Yellow	Green	32	63	Violet	Blue	64	Blue	Violet

Inch [mm]

Tolerance Unless Noted			
Inch	.0	.00	.000
	±.1	±.05	±.010

[] Dimensions for Reference only

Ordering Information

3750/XX

Number of Conductors

Note: Available in standard lengths of 100 feet or 300 feet per roll. Please specify when ordering.

TS-0072-22
Sheet 2 of 2