

6

5

4

3

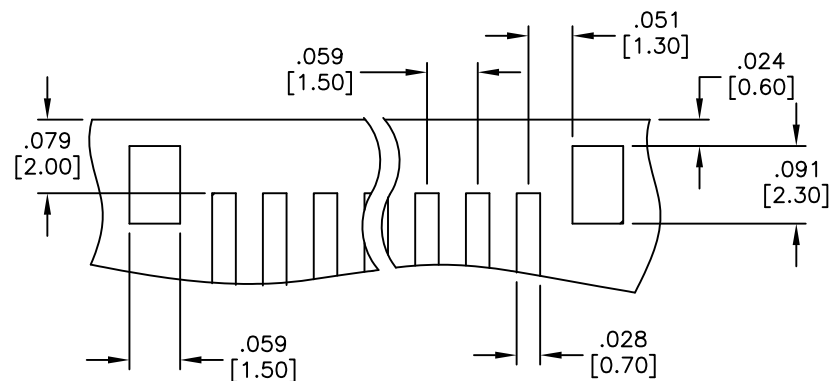
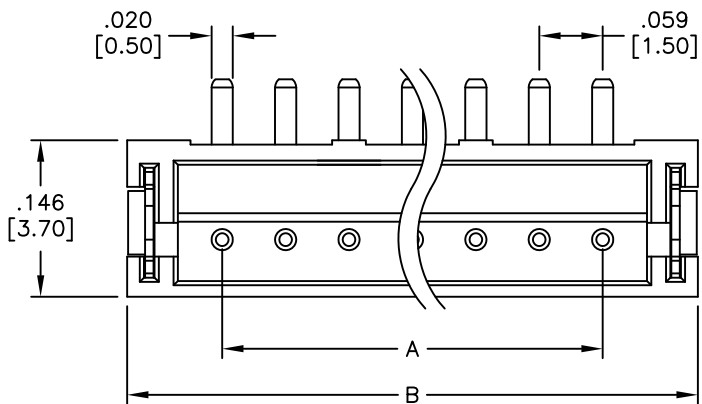
2

1

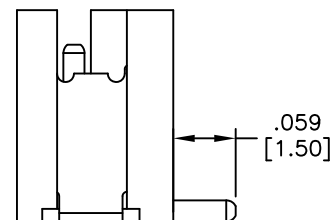
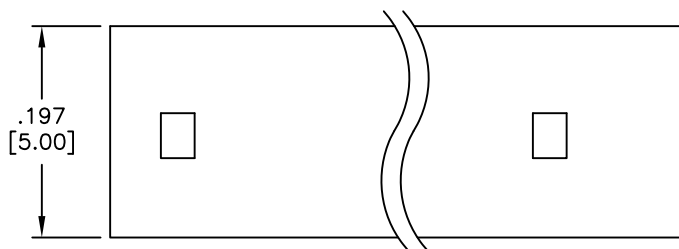
APPROVED: \_\_\_\_\_

DATE: \_\_\_\_\_ TITLE: \_\_\_\_\_

Rev	AWO #	Description	Date	Appr
-		RELEASED	3/15/12	



RECOMMENDED PCB LAYOUT



**SPECIFICATIONS:**

Material:  
 Insulator: Hi-temp thermoplastic, rated UL 94V-0  
 Insulator color: Natural (Ivory)  
 Contacts: Brass

**Plating:**  
 Tin over Nickel underplate overall

**Electrical:**  
 Voltage rating: 50 AC/DC  
 Current rating: 0.7 AC/DC  
 Contact resistance: 20 mohms max  
 Dielectric withstanding voltage: 500 VAC for 1 minute

**Temperature Rating:**  
 Operating temperature: -25°C to +85°C

Environmental:  
 Lead free, RoHS compliant.



**PACKAGED ON TAPE & REEL**

Positions: 02 thru 13  
 A=.060 [1.50] X No. of Spaces  
 B=.060 [1.50] X No. of Positions + .118 [3.00]

UNLESS OTHERWISE SPECIFIED  
 ALL DIMENSIONS ARE INCHES [MM]  
 TOLERANCES: EXCEPT AS NOTED

INCHES	HOLES
.X ± .10	Ø.X ± .10
.XX ± .020	Ø.XX ± .015
.XXX ± .015	Ø.XXX ± .010

**ADAM TECH**

909 Rahway Avenue, Union, NJ 07083  
 Phone: 908-687-5000 Fax: 908-687-5710

TITLE  
 .059 [1.50] TOP ENTRY TYPE, SMT TYPE

APPROVALS		DATE
DRAWN	AY	3/15/12
CHECKED	OC	3/15/12
APPROVED		

SIZE X	PART NO. 15SH-A-XX-TS-SMT-T/R	REV. -
REF: S00123T	SCALE: NTS	SHEET 1 OF 1

6

5

4

3

2

1