

HONEYWELL

15PA306-FW

See full Datasheet below...

onlinecomponents.com

THE ONLINE DISTRIBUTOR OF ELECTRONIC COMPONENTS

BUY NOW



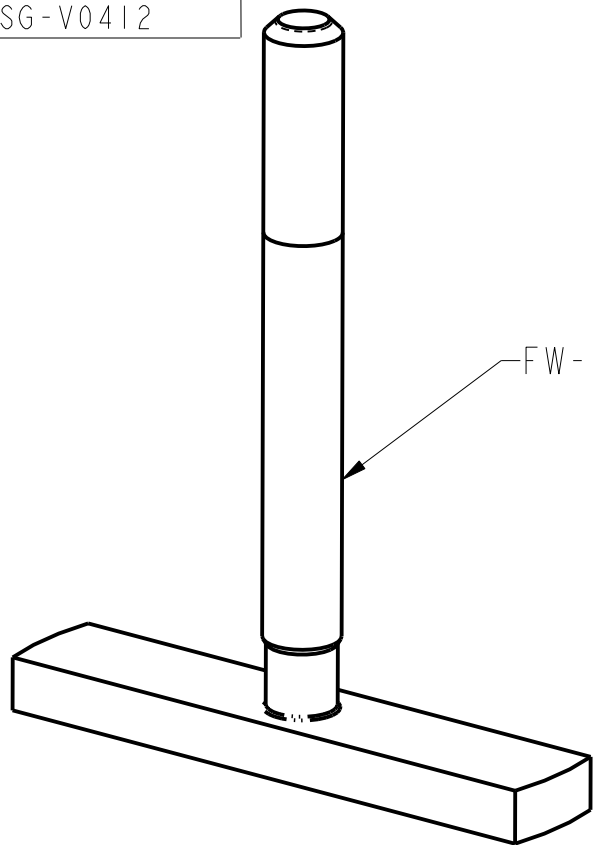
MASTERTM
ELECTRONICS

BUY NOW

masterelectronics.com & onlinecomponents.com
are **authorized** e-commerce distributors
of electronic components.

HONEYWELL
PART NUMBER
15PA306-FW
PRODUCT CODE
SG-V0412

REV	DOCUMENT	CHANGED BY	CHECK
A	0008348	KSR 15OCT04	AK



NOTES:
1- MARK CUSTOMER PART # 4087264-901 AND EIA DATE CODE (YYWW) ON TARGET.
2- RAW MATERIAL: COMMERCIAL STANDARD.

DESIGN UNITS: INCH
TOLERANCES UNLESS NOTED:

NO PLACE	X	±	0.040
ONE PLACE	.X	±	0.030
TWO PLACE	.XX	±	0.015
THREE PLACE	.XXX	±	0.005
FOUR PLACE	.XXXX	±	0.0005
ANGLES	X	±	3

DRAWN	KSR	15 OCT 04
CHECK	AK	15 OCT 04

THIS DRAWING COVERS A PROPRIETARY ITEM AND IS THE PROPERTY OF HONEYWELL. THIS DRAWING IS NOT TO BE COPIED OR USED WITHOUT THE PERMISSION OF HONEYWELL.

INTERPRET PER ASME Y14.5M-1994 OTHER HONEYWELL ENGINEERING STANDARDS MAY APPLY

Pro/ENGINEER 3D

Honeywell

TITLE
TARGET, PROXIMITY

SIZE	TYPE	DRAWING NAME	REV
A	I	15PA306-FW	A

THIRD ANGLE PROJECTION

SCALE	4:1	SHEET	1 OF 1
-------	-----	-------	--------