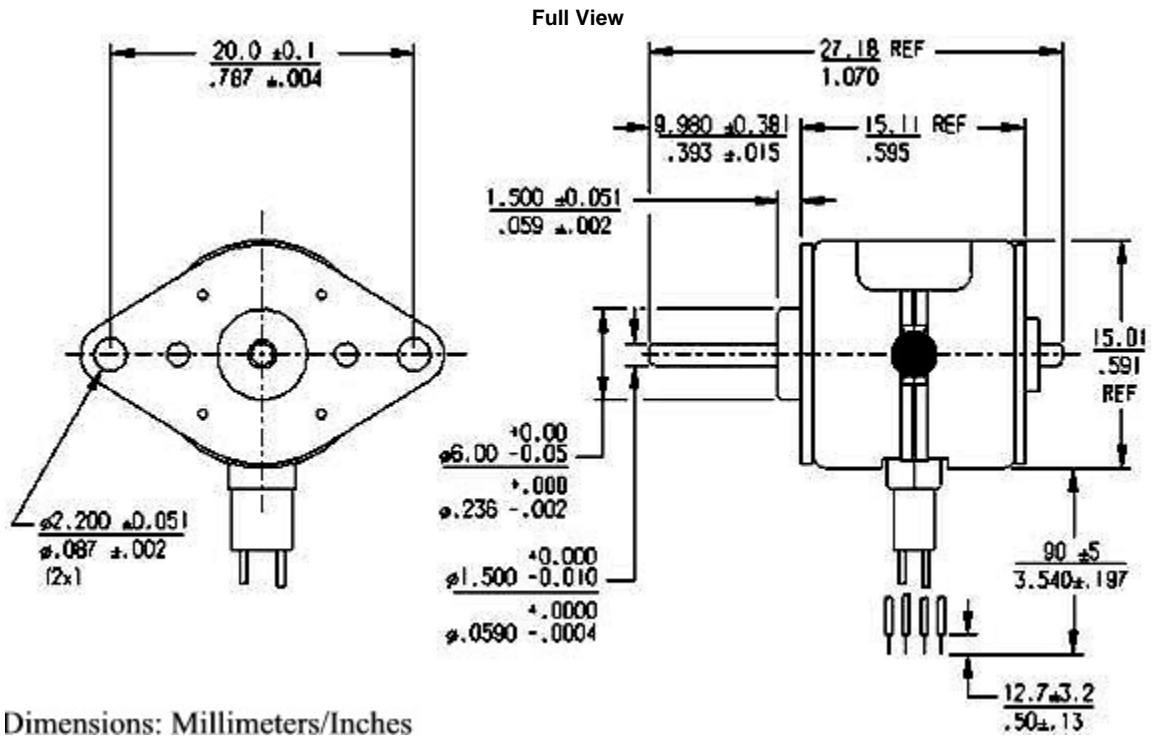


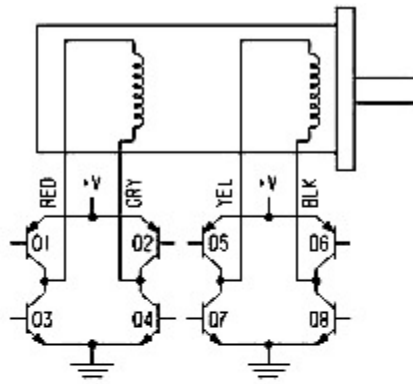


15M020D1B



Dimensions: Millimeters/Inches

Bipolar Wiring

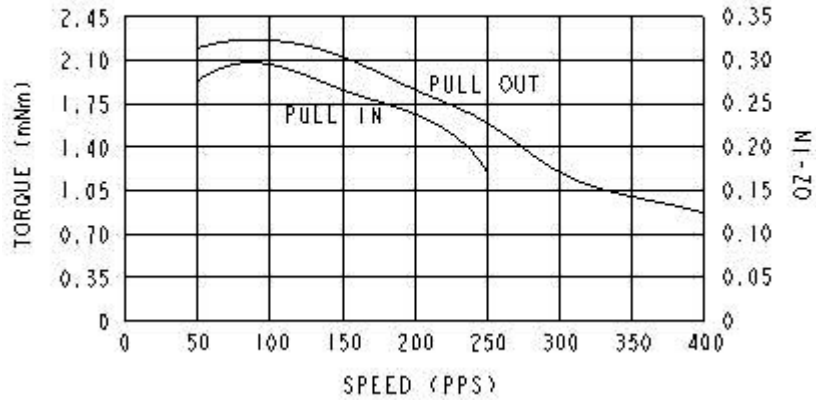


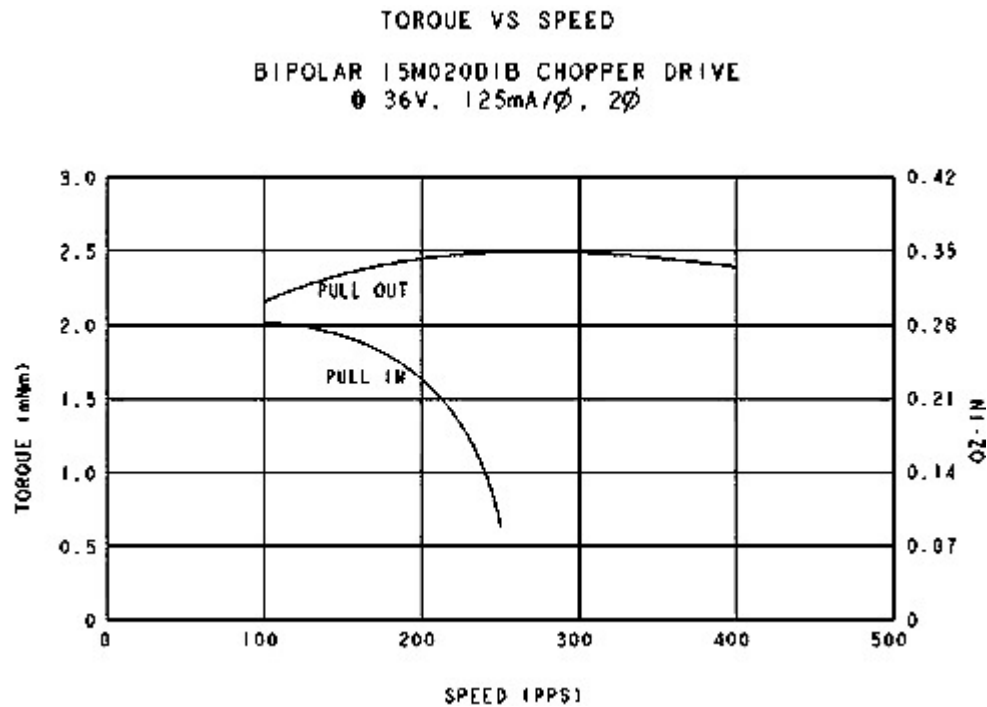
BIPOLAR

STEP	01-04	02-03	05-08	06-07
1	ON	OFF	ON	OFF
2	ON	OFF	OFF	ON
3	OFF	ON	OFF	ON
4	OFF	ON	ON	OFF
1	ON	OFF	ON	OFF

CCW ROTATION (indicated by a downward arrow on the left)
 CW ROTATION (indicated by an upward arrow on the right)

TORQUE VS SPEED
 BIPOLAR 15M020D1B L/R 2 PHASE DRIVE





PartNumber	15M020D1B
DC Operating Voltage	5
Res Per Winding (Ohms)	40 ±10%
Ind per Winding mH	14 ± 20%
Holding Torque mN*m/oz-in	3.88/.55
Rotor Moment of Inertia (g*m ²)	1.1E-5
Detent Torque mN*m/oz-in	1.62/.23
Step Angle	18°
Step Angle Tolerance	± 1.5°
Steps per Rev	20
Max Operating Temp	100°C
Ambient Temp Range Operating	-20°C to 70°C
Ambient Temp Range Storage	-40°C to 85°C
Bearing Type	Sintered Bronze sleeve
Insulation Res at 500Vdc	100 megohms
Dielectric Withstanding Voltage	450 ± 50 VRMS 60 Hz for 2 seconds
Weight g/oz	14 g/0.5 oz
Lead Wires	28 AWG, UL style 1429

*Measured with 2 phases energized

USA, Canada, or Mexico:

If you have any questions, contact us at:

Phone: 1-540-633-3400

Fax: 1-540-639-4162

Email: DMAC@danahermotion.com

Literature: litrequest@danahermotion.com

Or Write:

Danaher Motion
 203A West Rock Road
 Radford, VA 24141 USA

*Trademark of Danaher Motion. DANAHER MOTION is registered in the U.S Patent and Trademark Office and in other countries. Printed in the U.S.A. The specification in this publication are believed to be accurate and reliable. However, it is the responsibility of the product user to determine the suitability of Thomson products for a specific application. While defective products will be replaced without charge if promptly returned, no liability is assumed beyond such replacement.

print | close