

# Panel mounting base - RC-0000000AD00



1592777

<https://www.phoenixcontact.com/pc/products/1592777>

Please be informed that the data shown in this PDF document is generated from our Online Catalog. Please find the complete data in the user documentation. Our General Terms of Use for Downloads are valid.

---



Panel mounting base, series: RC, angled rotatable, Screw locking, M23, Axial O-ring, 4x Ø 3.2, shielded: yes

# Panel mounting base - RC-0000000AD00



1592777

<https://www.phoenixcontact.com/pc/products/1592777>

## Commercial Data

Item number	1592777
Packing unit	16 pc
Minimum order quantity	16 pc
Note	Made to Order (non-returnable)
Product Key	ABRAAX
GTIN	4046356192705
Weight per Piece (including packing)	129.143 g
Weight per Piece (excluding packing)	120.03 g
Customs tariff number	85366990
Country of origin	DE

1592777

<https://www.phoenixcontact.com/pc/products/1592777>

## Technical Data

### Product properties

Product type	Circular connectors (device side)
Application	Signal
Locking type	Screw locking
Series	RC
Shielded	yes
Thread type	M23

### Ambient conditions

Degree of protection	IP67
Ambient temperature (operation)	-20 °C ... 125 °C
Altitude	2000 m

### Connector

Type	angled rotatable
------	------------------

### Material specifications

Housing material	Turned parts: copper zinc alloy (CuZn), die-cast parts: zinc (GD-Zn)
Gasket and O-ring material	FPM
Housing material	Metal

### Mounting

Mounting	4x Ø 3.2
----------	----------

# Panel mounting base - RC-0000000AD00

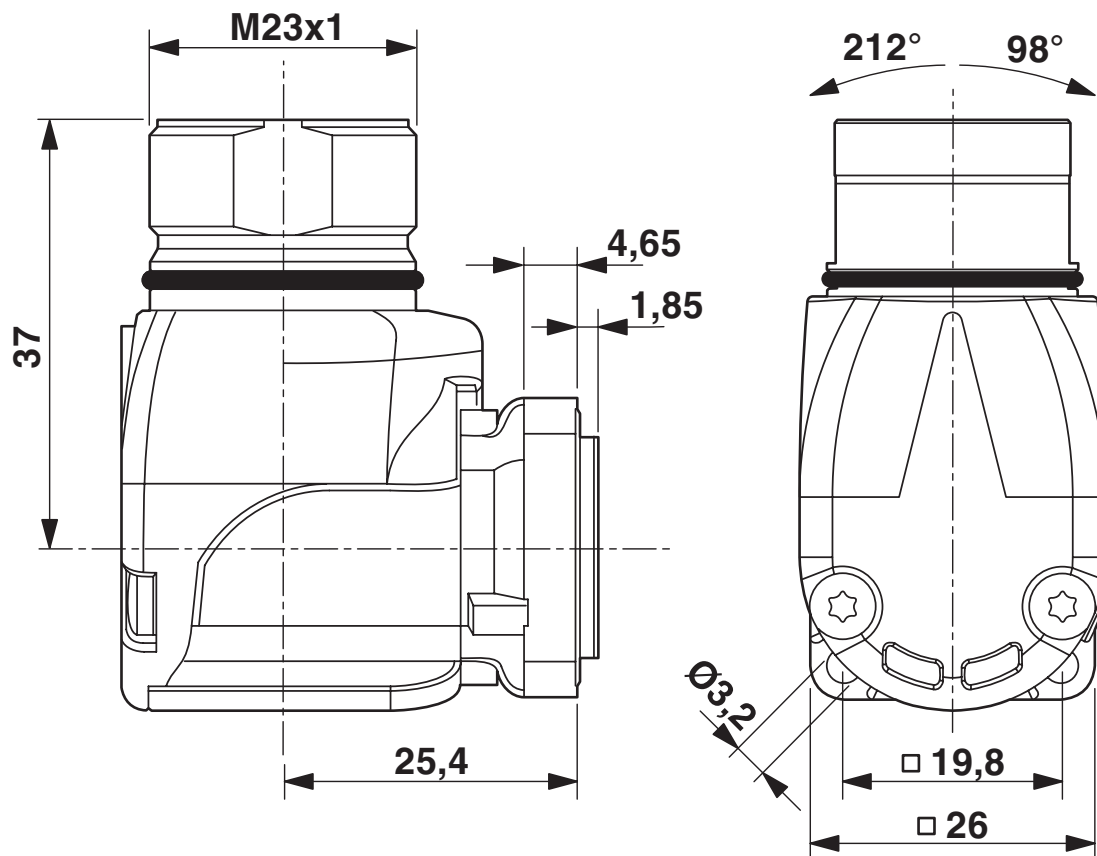


1592777

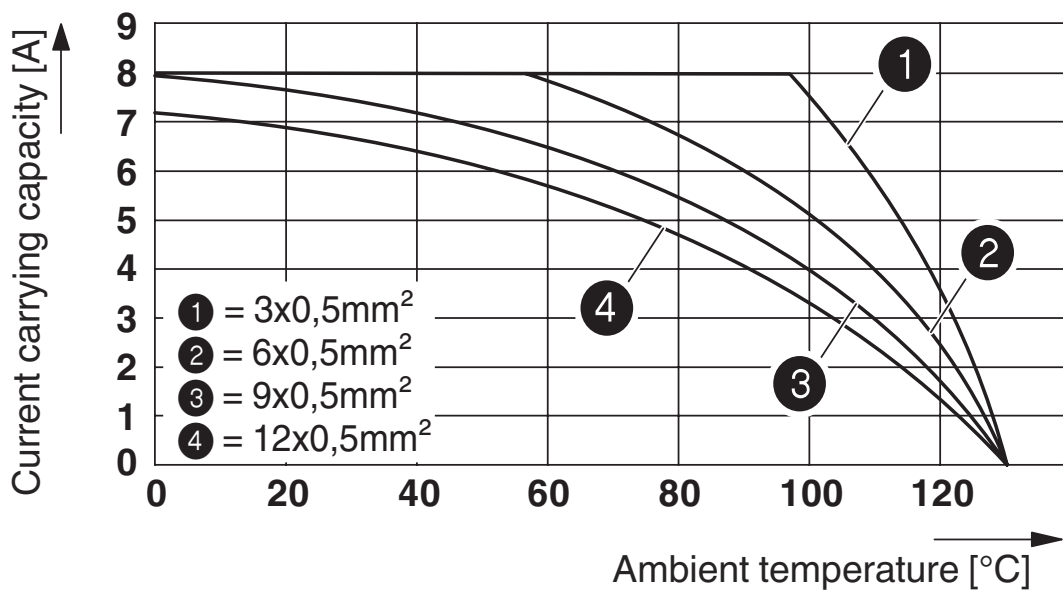
<https://www.phoenixcontact.com/pc/products/1592777>

## Drawings

Dimensional drawing



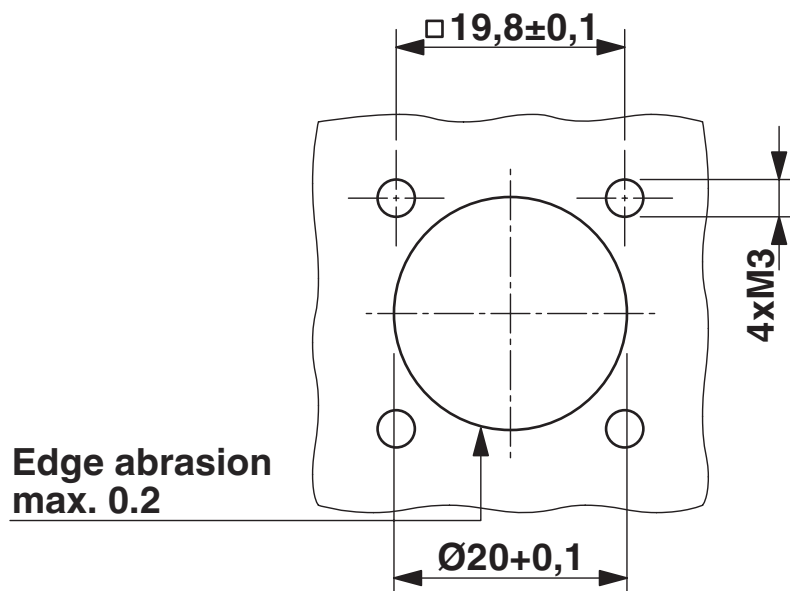
Diagram



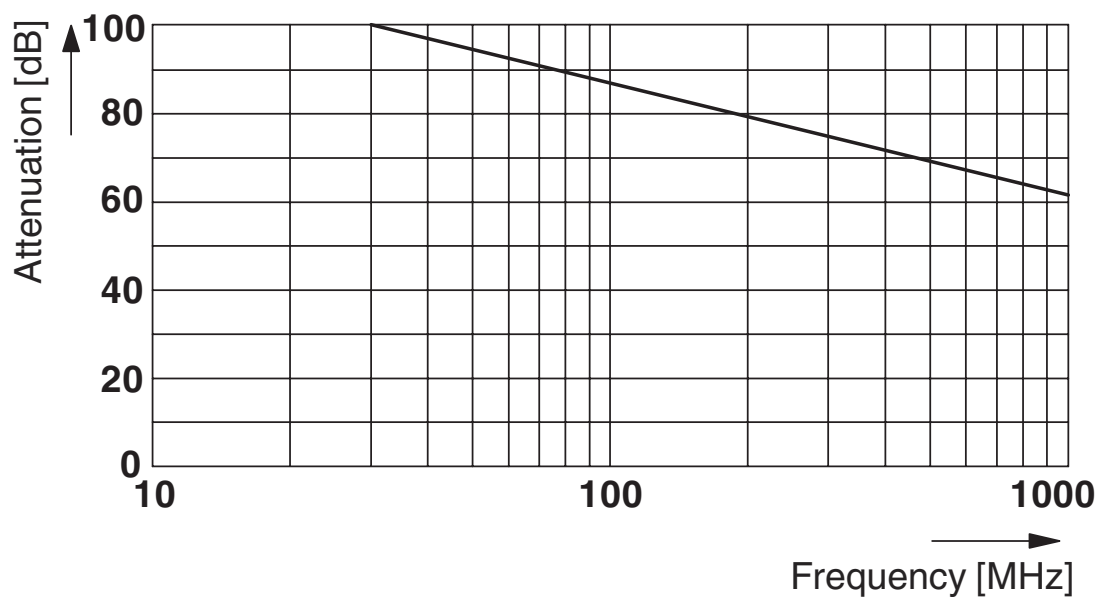
1592777

<https://www.phoenixcontact.com/pc/products/1592777>

Dimensional drawing



Diagram



# Panel mounting base - RC-0000000AD00



1592777

<https://www.phoenixcontact.com/pc/products/1592777>

## Classifications

### ECLASS

ECLASS-9.0	27440202
ECLASS-10.0.1	27440202
ECLASS-11.0	27440202

### ETIM

ETIM 8.0	EC000437
----------	----------

### UNSPSC

UNSPSC 21.0	31261500
-------------	----------

# Panel mounting base - RC-0000000AD00



1592777

<https://www.phoenixcontact.com/pc/products/1592777>

## Environmental Product Compliance

China RoHS	Environmentally friendly use period: unlimited = EFUP-e
	No hazardous substances above threshold values

Phoenix Contact 2022 © - all rights reserved  
<https://www.phoenixcontact.com>

PHOENIX CONTACT GmbH & Co. KG  
Flachmarktstraße 8  
D-32825 Blomberg  
+49 (0) 5235-3 00  
[info@phoenixcontact.com](mailto:info@phoenixcontact.com)