

PLEASE CHECK WWW.MOLEX.COM FOR LATEST PART INFORMATION

Part Number: [0015916099](#)
Status: **Active**
Overview: SL Modular Connectors
Description: 2.54mm Pitch SL Wire-to-Board Header, Low Profile, Surface Mount, Single Row, Right-Angle, 3.05mm Pocket, Shrouded, with Press-fit Plastic Peg, 9 Circuits, Tin (Sn) Plating, Embossed Tape Packaging
Replacement Part Number : <http://www.molex.com/molex/search/partSearch?pQuery=&sType=p&query=17197710091719771009> (drop-in)

Documents:

Drawing (PDF)	Packaging Specification PK-70873-001-001 (PDF)
Product Specification PS-70400-001 (PDF)	Test Summary TS-70541-100-001 (PDF)
Product Specification PS-70541-001 (PDF)	RoHS Certificate of Compliance (PDF)

Agency Certification

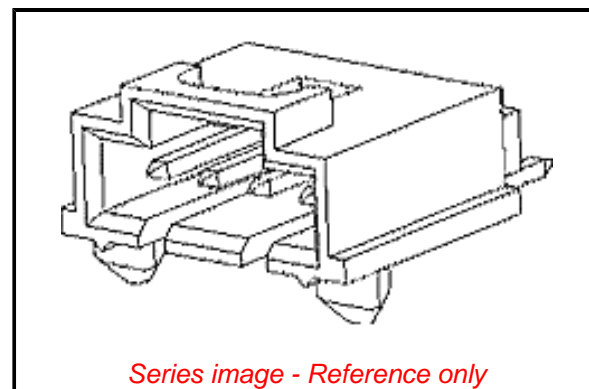
CSA	LR19980
UL	E29179

General

Product Family	PCB Headers
Series	70634
Application	Signal, Wire-to-Board
Overview	SL Modular Connectors
Product Name	SL
Replacement Part Number	1719771009 (drop-in)
UPC	800756044811

Physical

Breakaway	No
Circuits (Loaded)	9
Circuits (maximum)	9
Color - Resin	Black
Durability (mating cycles max)	25
Flammability	94V-0
Glow-Wire Capable	No
Lock to Mating Part	Yes
Material - Metal	Brass, Phosphor Bronze
Material - Plating Mating	Tin
Material - Plating Termination	Tin
Material - Resin	High Temperature Thermoplastic
Net Weight	2.037/g
Number of Rows	1
Orientation	Right Angle
PCB Locator	Yes
PCB Retention	Yes
PCB Thickness - Recommended	1.60mm
Packaging Type	Embossed Tape on Reel
Pitch - Mating Interface	2.54mm
Plating min - Mating	3.810µm
Plating min - Termination	3.810µm
Polarized to Mating Part	Yes
Polarized to PCB	Yes
Shrouded	Fully
Stackable	No
Temperature Range - Operating	-40° to +105°C
Termination Interface: Style	Surface Mount



Series image - Reference only

EU ELV

Not Relevant

EU RoHS

Compliant

REACH SVHC

Contained Per -
D(2020)4578-DC (25
June 2020)
1,2-
Benzenedicarboxylic
acid, dihexyl ester,
bra
Terphenyl,
hydrogenated
2-(2H-benzotriazol-2-
yl)-4-(tert-butyl)-6-
(sec-b
2-(2H-benzotriazol-2-
yl)-4,6-
ditertpentylphenol
2-ethylhexyl 10-
ethyl-4,4-dioctyl-7-
oxo-8-oxa-3,
sodium
peroxometaborate
2,4-di-tert-butyl-6-(5-
chlorobenzotriazol-2-
yl)p
2-benzotriazol-2-
yl-4,6-di-tert-
butylphenol
ammoniumpentadecafluorooctanoate
disodium 4-
amino-3-[[4'-[(2,4-
diaminophenyl)azo]
1,3-propanesultone
1-vinylimidazole
1,2-diethoxyethane
disodium 3,3'-[[1,1'-
biphenyl]-4,4'-
diylbis(azo)
dodecamethylcyclohexasiloxane
perfluorooctanoic acid

China RoHS

Electrical

Current - Maximum per Contact 3.0A
Voltage - Maximum 250V

Solder Process Data

Lead-free Process Capability REFLOW
Process Temperature max. C 260

Material Info

Engineering Number 70634-0113

Reference - Drawing Numbers

Packaging Specification PK-70873-001-001
Product Specification PS-70400-001, PS-70541-001
Sales Drawing 706340000-SD-000
Test Summary TS-70541-100-001

di-n-pentyl phthalate (DPP)
furan
4-o-tolylazo-o-toluidine
ethylene thiourea
4-methyl-m-phenylenediamine o-toluidine
butyl 4-hydroxybenzoate
phenanthrene
dicyclohexyl phthalate
p-(1,1-dimethylpropyl)phenol
N-methylacetamide
dimethyl sulphate
pentacosafuorotridecanoic acid
Perfluorohexane-1-sulphonic acid and its salts
5-sec-butyl-2-(2,4-dimethylcyclohex-3-en-1-yl)-5
1,2-benzenedicarboxylic acid, di-C6-10-alkyl est
reaction mass of 2-ethylhexyl 10-ethyl-4,4-dioct
Cadmium sulphate
Bisphenol-A
Methylhexahydrophthalic anhydride
Perfluorononan-1-oic acid
(2,2,3,3,4,4,5,5,6,6,7
Reaction
products of 1,3,4-thiadiazolidine-2,5-d
Dodecachloropentacyclo[12.2.1.16,9.02,13.05,10]o
Pyrene
Perfluorobutane sulfonic acid (PFBS) and its sal
Tris(4-nonylphenyl, branched and linear) phosphi
Nonadecafluorodecanoic acid (PFDA) and its sodiu
4-Nonylphenol, branched and linear, ethoxylated
Trixylyl phosphate
4-Nonylphenol, branched and linear
[substances w
Zirconia
Aluminosilicate
Refractory Ceramic
Fibr

Aluminosilicate
Refractory Ceramic
Fibres
Sodium dichromate
4,4'-Oxydianiline and
its salts
Boric acid
Disodium tetraborate
n-pentyl-
isopentylphthalate
3-ethyl-2-methyl-2-
(3-methylbutyl)-1,3-
oxazolidi
2-benzyl-2-
dimethylamino-4-
morpholinobutyropheno
2-methyl-1-(4-
methylthiophenyl)-2-
morpholinoprop
1,2-
benzenedicarboxylic
acid, dipentylester,
bra
benzo[a]pyrene
1,2-
benzenedicarboxylic
acid; di-C6-8-
branched a
1,2,3-trichloropropane
N-methyl-2-
pyrrolidone
1,2-
benzenedicarboxylic
acid; di-C7-11-
branched
2-ethoxyethyl acetate
cobalt sulphate
cobalt dinitrate
cobalt carbonate
2-methoxyethanol
2-ethoxyethanol
trichloroethylene
tetraboron disodium
heptaoxide, hydrate
potassium dichromate
potassium chromate
Pitch, coal tar, high-
temp.; Pitch
Lead chromate
molybdate sulfate red
lead chromate
Anthracene oil,
anthracene-low;
Anthracene Oil F
lead hydrogen
arsenate
bis(tributyltin) oxide
alkanes, C10-13,
chloro
bis(2-ethylhexyl)
phthalate (DEHP)
musk xylene
diarsenic trioxide
diarsenic pentaoxide
cobalt dichloride

dibutyl phthalate
(DBP)
4,4'-
diaminodiphenylmethane
potassium
hydroxyoctaoxodizincatedichromate(1-)
Fatty acids, C16-18,
lead salts
[phthalato(2-)]dioxotrilead
Silicic acid (H₂Si₂O₅),
barium salt (1:1),
lead-
Sulfurous acid, lead
salt, dibasic
lead
bis(tetrafluoroborate)
dioxobis(stearato)trilead
tetralead trioxide
sulphate
lead titanium trioxide
lead oxide sulfate
Silicic acid, lead salt
lead dinitrate
cadmium
lead
[4-[[4-anilino-1-
naphthyl]]4-
(dimethylamino)phen
1,3,5-
tris(oxiranylmethyl)-1,3,5-
triazine-2,4,6(
Lead oxide
trilead bis(carbonate)
dihydroxide
orange lead
cadmium oxide (non-
pyrophoric)
diboron trioxide
cadmium carbonate
N,N,N',N'-
tetramethyl-4,4'-
methylenedianiline
2,2'-dichloro-4,4'-
methylenedianiline
dichromium
tris(chromate)
bis(2-methoxyethyl)
phthalate
pentazinc chromate
octahydroxide
trilead diarsenate
arsenic acid

**Halogen-Free
Status**

Not Low-Halogen

For more information, please visit [Contact US](#)

China ROHS	Green Image
ELV	Not Relevant
RoHS Phthalates	Not Contained

Search Parts in this Series
70634 Series

Mates With

SL Crimp Housing [70066](#) Option N, [70066](#)
Option G, [70066](#) Option A, [70430](#) Option G,
[70400](#) Option G

This document was generated on 10/16/2020

PLEASE CHECK WWW.MOLEX.COM FOR LATEST PART INFORMATION