

1586846-1 ✓ ACTIVE

MATE-N-LOK | Universal MATE-N-LOK

TE Internal #: 1586846-1

Rectangular Power Connectors, Housing, Plug, Wire-to-Wire / Wire-to-Board, 6 Position, 6.35 mm [.25 in] Centerline, Wire & Cable, Universal MATE-N-LOK

[View on TE.com >](#)



Connectors > Power Connectors > Rectangular Power > Rectangular Power Connectors



Rectangular Power Connector Type: **Housing**

Connector & Housing Type: **Plug**

Connector System: **Wire-to-Board, Wire-to-Wire**

Number of Positions: **6**

Centerline (Pitch): **6.35 mm [.25 in]**

## Features

### Product Type Features

Rectangular Power Connector Type	Housing
Connector & Housing Type	Plug
Connector System	Wire-to-Board, Wire-to-Wire
Sealable	No
Connector & Contact Terminates To	Wire & Cable

### Configuration Features

Number of Positions	6
Number of Rows	2

### Electrical Characteristics

Operating Voltage	600 VAC
-------------------	---------

### Contact Features

Multiple Contact Types	Without
Contact Layout	Matrix
Contact Retention Within Housing	Without



Contact Type	Socket
--------------	--------

### Termination Features

Termination Method to Wire & Cable	Crimp
------------------------------------	-------

### Mechanical Attachment

Connector Mounting Type	Cable Mount (Free-Hanging)
-------------------------	----------------------------

### Housing Features

Centerline (Pitch)	6.35 mm [.25 in]
--------------------	------------------

Housing Color	Natural
---------------	---------

Housing Material	Nylon
------------------	-------

### Dimensions

Row-to-Row Spacing	6.35 mm [.25 in]
--------------------	------------------

### Usage Conditions

Operating Temperature Range	-55 – 105 °C [-67 – 221 °F]
-----------------------------	-----------------------------

### Operation/Application

Circuit Application	Power & Signal
---------------------	----------------

### Industry Standards

CSA Rating	Certified, LR 7189
------------	--------------------

UL Rating	Recognized
-----------	------------

Compatible With Agency/Standards Products	CSA, UL, VDE
---	--------------

Compatible With Approved Standards Products	UL E28476
---	-----------

UL Flammability Rating	UL 94V-2
------------------------	----------

Glow Wire Rating	GWT 750°C (Without Flame)
------------------	---------------------------

### Packaging Features

Packaging Quantity	1
--------------------	---

Packaging Method	Package
------------------	---------

### Product Compliance

For compliance documentation, visit the product page on [TE.com](https://www.te.com)>

EU RoHS Directive 2011/65/EU	Compliant
------------------------------	-----------

EU ELV Directive 2000/53/EC	Compliant
-----------------------------	-----------

China RoHS 2 Directive MIIT Order No 32, 2016	No Restricted Materials Above Threshold
---	---



EU REACH Regulation (EC) No. 1907/2006

Current ECHA Candidate List: JUNE 2024 (241)

Candidate List Declared Against: JAN 2024 (240)

Does not contain REACH SVHC

Halogen Content

Not Low Halogen - contains Br or Cl > 900 ppm.

Solder Process Capability

Not applicable for solder process capability

Product Compliance Disclaimer

This information is provided based on reasonable inquiry of our suppliers and represents our current actual knowledge based on the information they provided. This information is subject to change. The part numbers that TE has identified as EU RoHS compliant have a maximum concentration of 0.1% by weight in homogenous materials for lead, hexavalent chromium, mercury, PBB, PBDE, DBP, BBP, DEHP, DIBP, and 0.01% for cadmium, or qualify for an exemption to these limits as defined in the Annexes of Directive 2011/65/EU (RoHS2). Finished electrical and electronic equipment products will be CE marked as required by Directive 2011/65/EU. Components may not be CE marked. Additionally, the part numbers that TE has identified as EU ELV compliant have a maximum concentration of 0.1% by weight in homogenous materials for lead, hexavalent chromium, and mercury, and 0.01% for cadmium, or qualify for an exemption to these limits as defined in the Annexes of Directive 2000/53/EC (ELV). Regarding the REACH Regulation, the information TE provides on SVHC in articles for this part number is based on the latest European Chemicals Agency (ECHA) 'Guidance on requirements for substances in articles' posted at this URL: <https://echa.europa.eu/guidance-documents/guidance-on-reach>

### Compatible Parts



TE Part # 1-480705-2  
06P UNML CAP HSG RED



TE Part # 1-480704-2  
06P UMNL PLUG HSG RED



TE Part # 1644055-1  
UNIV MATE-N-LOK HOUSING 6W



TE Part # 1586860-1  
06P UMNL CAP HSG, GW



TE Part # 770027-1  
06P UMNLII IN-LINE CAP HSG KIT



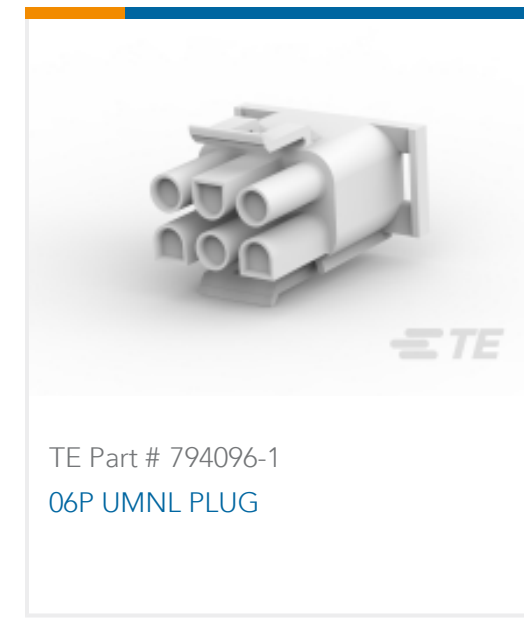
TE Part # 926682-3  
06P UNIV.M-N-L.HSG.



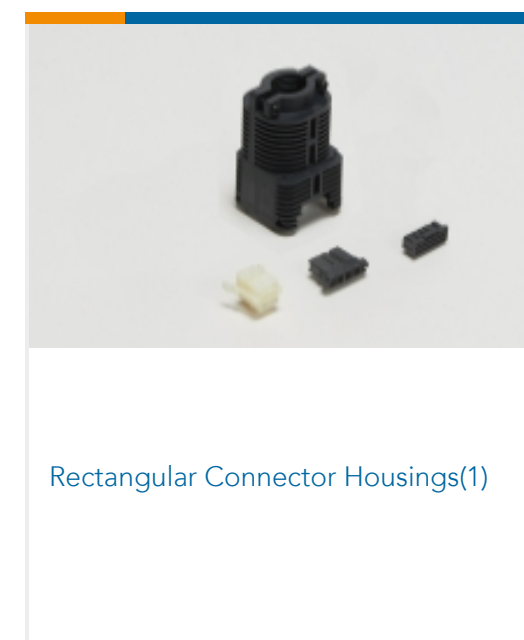
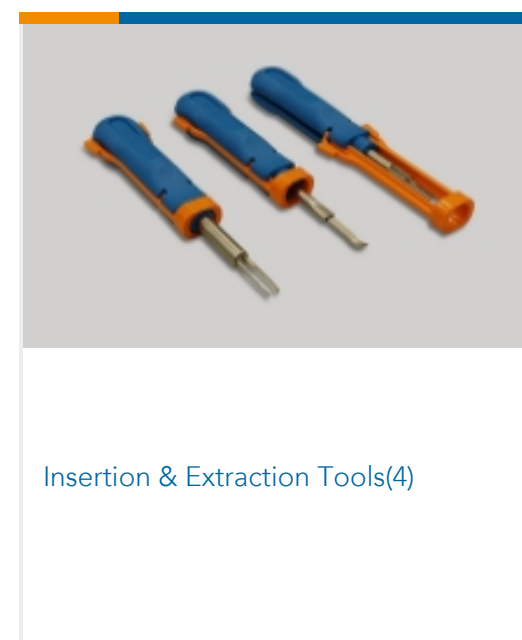
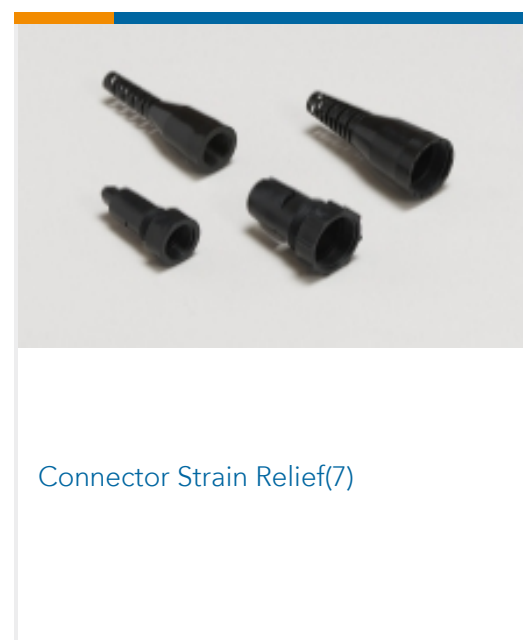
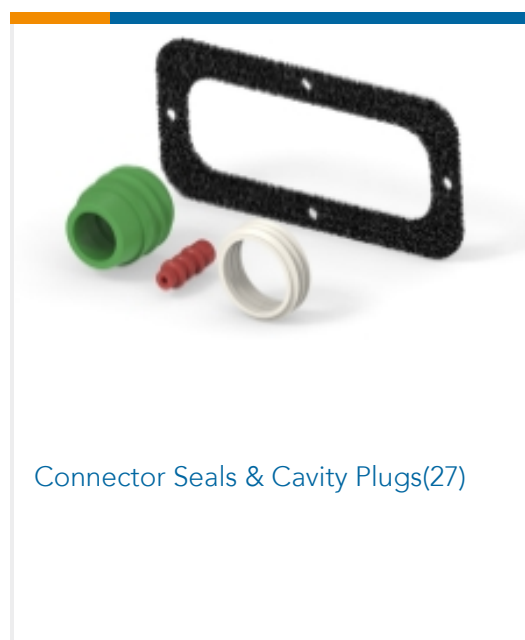
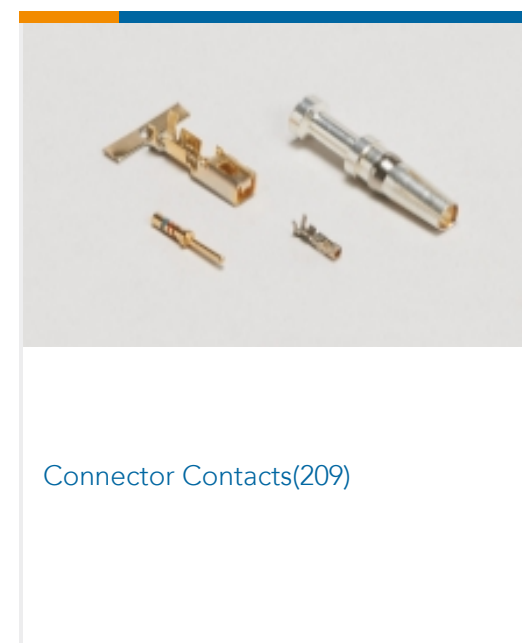
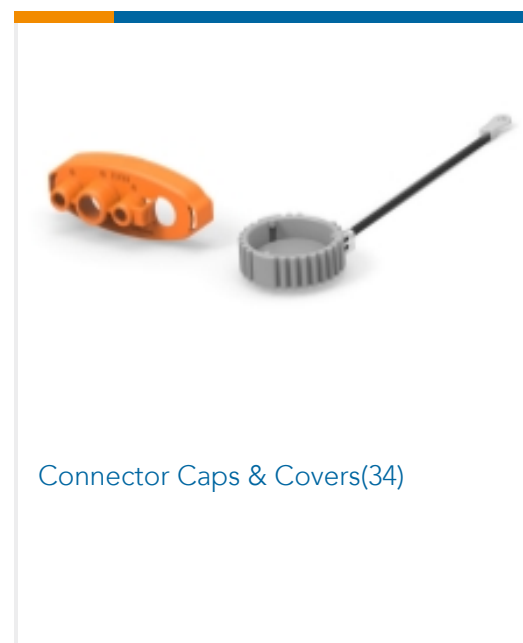
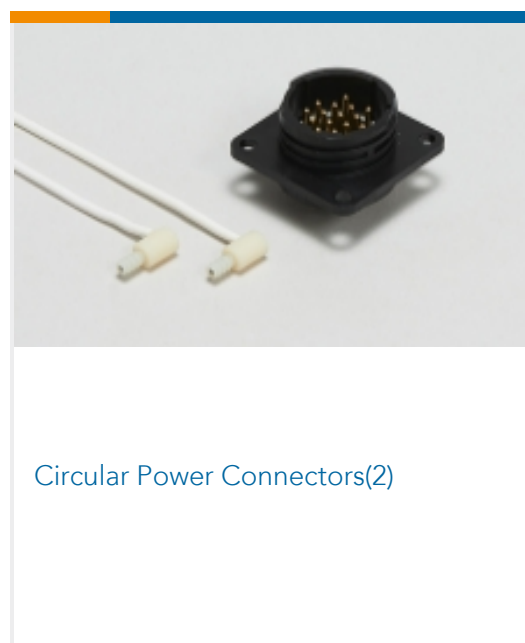
TE Part # 1-480705-9  
06P UMNL CAP HSG BLK



TE Part # 350781-1  
06P UMNL CAP HSG



Also in the Series | **Universal MATE-N-LOK**





Rectangular Power Connectors(672)



Standard Circular Connectors(1)

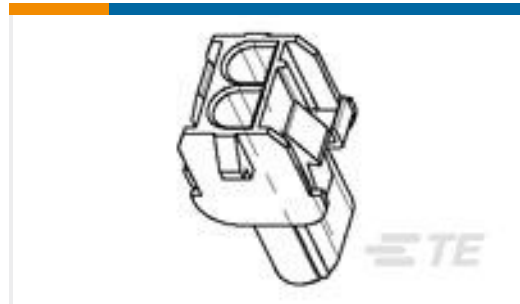
## Customers Also Bought



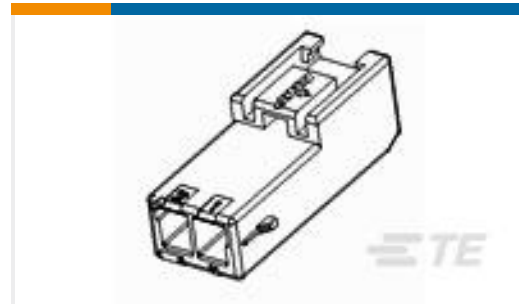
TE Part #1971777-5  
PTL TPA HIGH TEMP 1 x 5 BLACK



TE Part #6609009-4  
20EJH1=F7894A S0



TE Part #1-1703062-2  
CAP, 2 CIRCUIT , UNIVERSAL MATE-N-LOK



TE Part #2005248-1  
PDL 2P CAP 3.96 F/H(GWT) NAT



TE Part #1-2232892-7  
7P MONOPLUG 2.5



TE Part #3-1971794-1  
NEW GI CONN2.5 TPA 3P BLACK



TE Part #1-1625892-9  
3W SM M/OX 5% 180R



TE Part #2232901-1  
AMP POWER DBL LOCK REC (L)



TE Part #1-456405-3  
CRIMPER WIRE .080 F



TE Part #1-2232890-9  
9P MONOPLUG 2.5 SELECTIVELY LOADED

## Documents

### Product Drawings

[06P UMNL PLUG HSG NATL, GW](#)

English

### CAD Files

[3D PDF](#)

[3D](#)

### Customer View Model

[ENG\\_CVM\\_CVM\\_1586846-1\\_A\\_c-1586846-1-a.2d\\_dxf.zip](#)



English

**Customer View Model**

[ENG\\_CVM\\_CVM\\_1586846-1\\_A\\_c-1586846-1-a.3d\\_igs.zip](#)

English

**Customer View Model**

[ENG\\_CVM\\_CVM\\_1586846-1\\_A\\_c-1586846-1-a.3d\\_stp.zip](#)

English

By downloading the CAD file I accept and agree to the [Terms and Conditions](#) of use.

---

**Product Specifications**

[Application Specification](#)

English

---

**Agency Approvals**

[UL](#)

English