

# Contact insert - HC-D 25-I-CT-M



1584392

<https://www.phoenixcontact.com/pc/products/1584392>

Please be informed that the data shown in this PDF document is generated from our Online Catalog. Please find the complete data in the user documentation. Our General Terms of Use for Downloads are valid.

HEAVYCON male insert, D25 series, 25-pos., crimp connection



## Your advantages

- Can be used in rail vehicles, satisfy DIN EN 45545-2 with requirement sets R22, R23, and R24 in hazard levels HL1, HL2, and HL3.

## Commercial Data

Item number	1584392
Packing unit	1 pc
Minimum order quantity	1 pc
Product Key	BF7ABE
Catalog Page	Page 523 (C-2-2019)
GTIN	4046356142656
Weight per Piece (including packing)	31.8 g
Weight per Piece (excluding packing)	30.5 g
Customs tariff number	85389099
Country of origin	CN

# Contact insert - HC-D 25-I-CT-M



1584392

<https://www.phoenixcontact.com/pc/products/1584392>

## Technical Data

### Notes

General	For HEAVYCON housing type D25, CK1,6-ED crimp contacts (crimp contacts not supplied as standard)
General	Connectors may be operated only when there is no load/voltage.
General	It is imperative that guide pins (HC-CST) and sockets (HC-CBU) are used to prevent tip collision due to misalignment.

### Mounting

Assembly instructions	To ensure correct use, installation in housing with IP54 protection or better is required
-----------------------	---

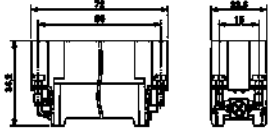
### Product properties

Type	D25 D50
Product type	Contact insert with a fixed no. of positions
Number of positions	25
Note number of positions	25+PE
Connection profile	25+PE
Number of connections per position	1
Contact type	turned rolled
Series	HC-D

### Insulation characteristics

Overvoltage category	III
Degree of pollution	3

### Dimensions

Dimensional drawing	
Width	22.5 mm
Height	34.2 mm
Length	72 mm
Drill hole distance, horizontal	66 mm
Drill hole distance, vertical	16 mm

### Mechanical characteristics

Contact diameter	1.6 mm
------------------	--------

### Connection data

# Contact insert - HC-D 25-I-CT-M



1584392

<https://www.phoenixcontact.com/pc/products/1584392>

## Connection technology

Connection technology	Crimp connection
Number of connections per position	1
Connection in acc. with standard	IEC / EN

## Conductor connection

Conductor cross section	0.14 mm <sup>2</sup> ... 2.5 mm <sup>2</sup>
Connection cross section AWG	26 ... 14
Tightening torque	0.7 Nm ... 1 Nm (PE connection) 0.5 Nm ... 0.8 Nm (Mounting screws for mounting in the HEAVYCON housing)
Stripping length of the individual wire	8 mm (0.14 ... 1.5 mm <sup>2</sup> )
	6 mm (2.5 mm <sup>2</sup> )

## Electrical properties

Rated voltage (III/3)	250 V
Rated surge voltage	4 kV
Rated current	10 A
SCCR	5 kA (UL 2237)

## Mechanical properties

### Mechanical data

Insertion/withdrawal cycles	≥ 500
-----------------------------	-------

## Material specifications

Flammability rating according to UL 94	V0
Contact material	Copper alloy
Contact surface material	Ag (alternatively Au)
Contact carrier material	PC
Standards/regulations	PC: Fire protection in rail vehicles - requirement sets R22, R23, and R24 acc. to DIN EN 45545-2 (Risk level HL1 - HL3)

## Environmental and real-life conditions

### Ambient conditions

Ambient temperature (operation)	-40 °C ... 125 °C (including heating up of contacts)
---------------------------------	--

## Standards and regulations

Constructional and testing regulations	DIN VDE 0627/86
	DIN VDE 0110/02.79
	DIN VDE 0110-1/04.97
	IEC 60664-1, DIN IEC 60512
	IEC 60352
Tests	DIN VDE 0627/86
	DIN VDE 0110/02.79

# Contact insert - HC-D 25-I-CT-M



1584392

<https://www.phoenixcontact.com/pc/products/1584392>

	DIN VDE 0110-1/04.97
	IEC 60664-1, DIN IEC 60512
	IEC 60352

## Testing

Standards/regulations	PC: Fire protection in rail vehicles - requirement sets R22, R23, and R24 acc. to DIN EN 45545-2 (Risk level HL1 - HL3)
-----------------------	---

# Contact insert - HC-D 25-I-CT-M

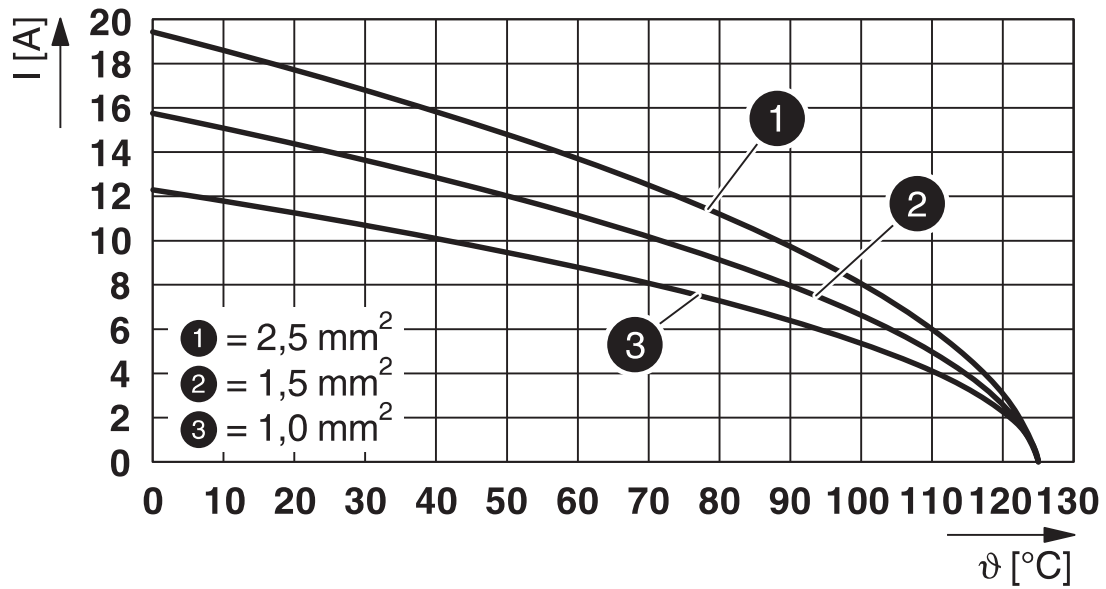


1584392

<https://www.phoenixcontact.com/pc/products/1584392>

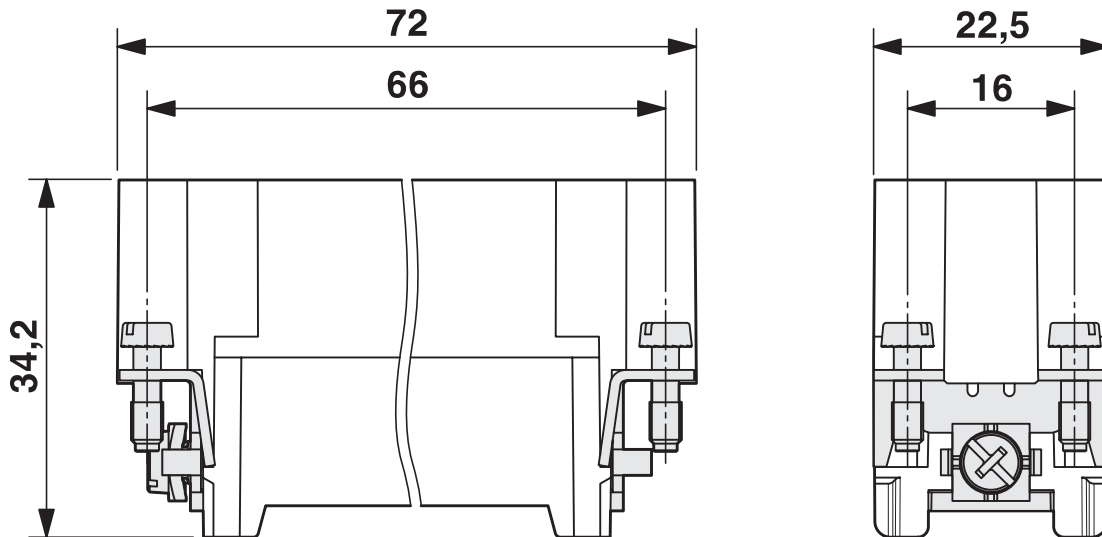
## Drawings

Diagram



Derating diagram turned contacts

Dimensional drawing



Male insert

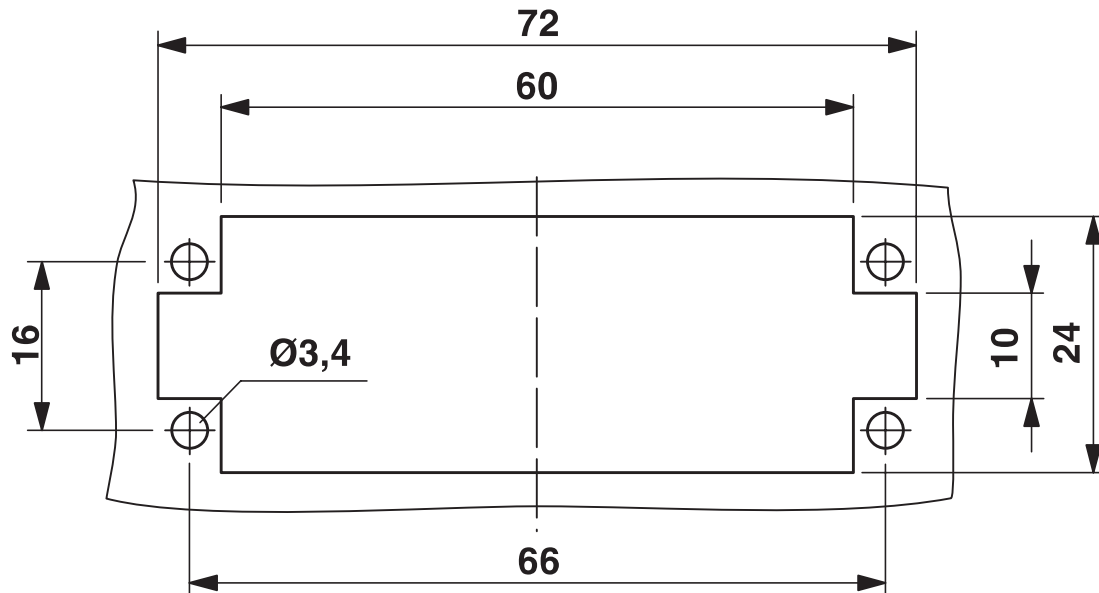
# Contact insert - HC-D 25-I-CT-M



1584392

<https://www.phoenixcontact.com/pc/products/1584392>

Dimensional drawing



Mounting cutout when used without housing

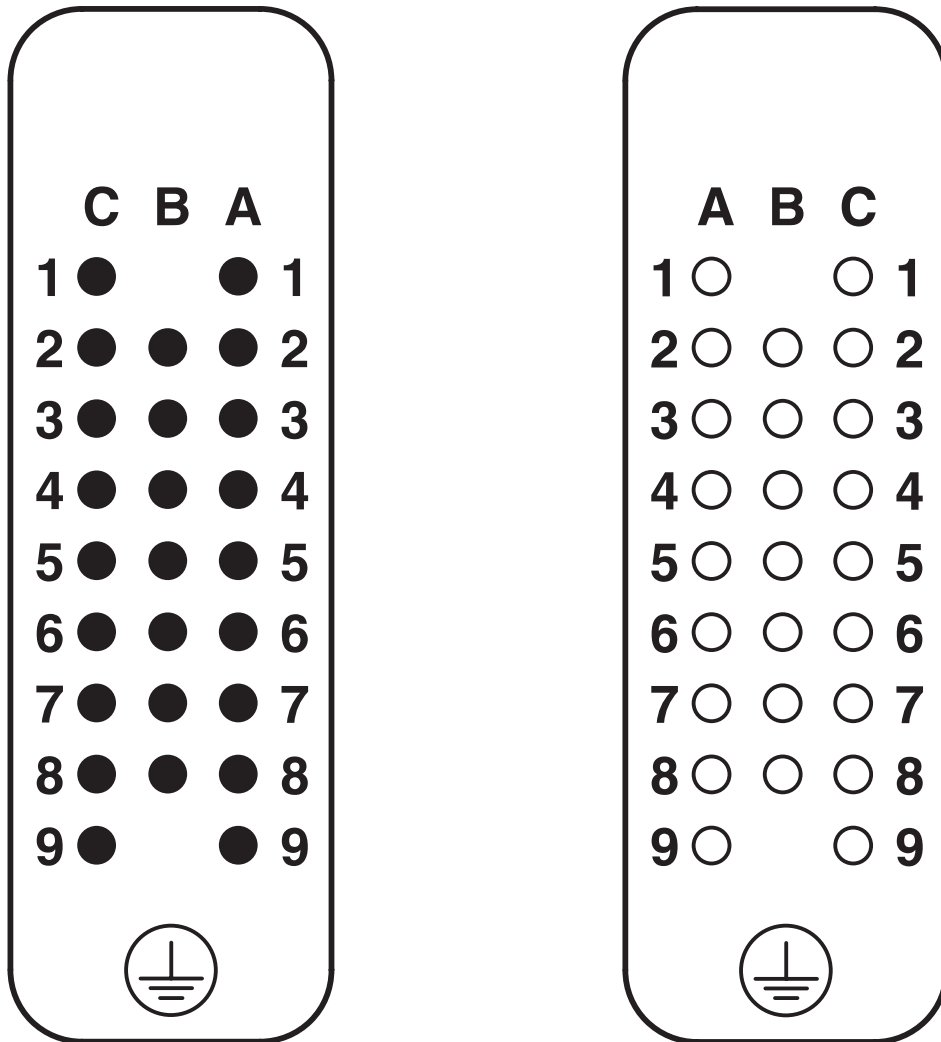
# Contact insert - HC-D 25-I-CT-M

1584392

<https://www.phoenixcontact.com/pc/products/1584392>



Schematic diagram



Connector pin assignment connection side: Left pin; right socket

# Contact insert - HC-D 25-I-CT-M



1584392

<https://www.phoenixcontact.com/pc/products/1584392>

## Approvals

### DNV

Approval ID: TAE000037S



### CSA

Approval ID: 13631

Nominal Voltage $U_N$	Nominal Current $I_N$	Cross Section AWG	Cross Section $\text{mm}^2$
600 V	8 A	- 14	-



### UL Recognized

Approval ID: FILE E 118976

Nominal Voltage $U_N$	Nominal Current $I_N$	Cross Section AWG	Cross Section $\text{mm}^2$
600 V	10 A	-	-



### EAC

Approval ID: RU C-DE.AI30.B.01102



### UL Recognized

Approval ID: E468743

Nominal Voltage $U_N$	Nominal Current $I_N$	Cross Section AWG	Cross Section $\text{mm}^2$
600 V	10 A	-	-



### EAC

Approval ID: RU C-DE.BL08.B.00511

# Contact insert - HC-D 25-I-CT-M



1584392

<https://www.phoenixcontact.com/pc/products/1584392>

## Classifications

### ECLASS

ECLASS-9.0	27440205
ECLASS-10.0.1	27440205
ECLASS-11.0	27440205

### ETIM

ETIM 8.0	EC000438
----------	----------

### UNSPSC

UNSPSC 21.0	39121500
-------------	----------

# Contact insert - HC-D 25-I-CT-M

1584392

<https://www.phoenixcontact.com/pc/products/1584392>



## Environmental Product Compliance

China RoHS

Environmentally friendly use period: unlimited = EFUP-e

No hazardous substances above threshold values