

# HC-D 40-A-UT-PEL-F - Terminal adapter



1584253

<https://www.phoenixcontact.com/pc/products/1584253>

Please be informed that the data shown in this PDF document is generated from our Online Catalog. Please find the complete data in the user documentation. Our General Terms of Use for Downloads are valid.



HEAVYCON terminal adapter female insert, D40 series, 40-pos., right PE connection for the left side of the control cabinet, screw connection

## Commercial Data

Item number	1584253
Packing unit	1 pc
Minimum order quantity	1 pc
Product Key	BF7ADE
Catalog Page	Page 537 (C-2-2019)
GTIN	4046356142328
Weight per Piece (including packing)	351 g
Weight per Piece (excluding packing)	351 g
Customs tariff number	85366990
Country of origin	CN

# HC-D 40-A-UT-PEL-F - Terminal adapter



1584253

<https://www.phoenixcontact.com/pc/products/1584253>

## Technical Data

### Notes

General	For HEAVYCON-ADVANCE mounting flange and HEAVYCON panel mounting base of B16 type
General	Connectors may be operated only when there is no load/voltage.

### Product properties

Type	B16
Product type	Terminal adapter
Number of positions	40
Connection profile	40+PE
Type	for the left side of the control cabinet
Series	HC-D
Screwdriver blade	0.5 x 3.5 mm

### Insulation characteristics

Overvoltage category	III
Degree of pollution	3

### Electrical properties

Rated voltage (III/3)	250 V
Rated surge voltage	4 kV
Rated current	10 A
SCCR	5 kA (UL 2237)

### Connection data


#### Connection technology

Connection technology	Screw connection
Connection in acc. with standard	IEC / EN

#### Conductor connection

Conductor cross section	0.5 mm <sup>2</sup> ... 2.5 mm <sup>2</sup>
Connection cross section AWG	22 ... 12
Tightening torque	0.5 Nm ... 0.8 Nm
Stripping length of the individual wire	10 mm

### Dimensions

Dimensional drawing	
---------------------	--

# HC-D 40-A-UT-PEL-F - Terminal adapter



1584253

<https://www.phoenixcontact.com/pc/products/1584253>

Width	34 mm
Height	129.9 mm
Length	83 mm
Drill hole distance, horizontal	77.5 mm
Drill hole distance, vertical	27 mm

## Material specifications

Flammability rating according to UL 94	V0
Contact material	Copper alloy
Contact surface material	Ag
Contact carrier material	PA
Standards/regulations	PA: Fire protection in rail vehicles - requirement sets R22, R23, and R24 acc. to DIN EN 45545-2 (Risk level HL1 - HL3)

## Cable/line

Stripping length of the individual wire	10 mm
---	-------

## Mechanical properties

### Mechanical data

Insertion/withdrawal cycles	≥ 500
-----------------------------	-------

## Environmental and real-life conditions

### Ambient conditions

Ambient temperature (operation)	-40 °C ... 125 °C
---------------------------------	-------------------

## Standards and regulations

Constructional and testing regulations	DIN EN 61984
	DIN EN 60664
	IEC 60352
Tests	DIN EN 61984
	DIN EN 60664
	IEC 60352

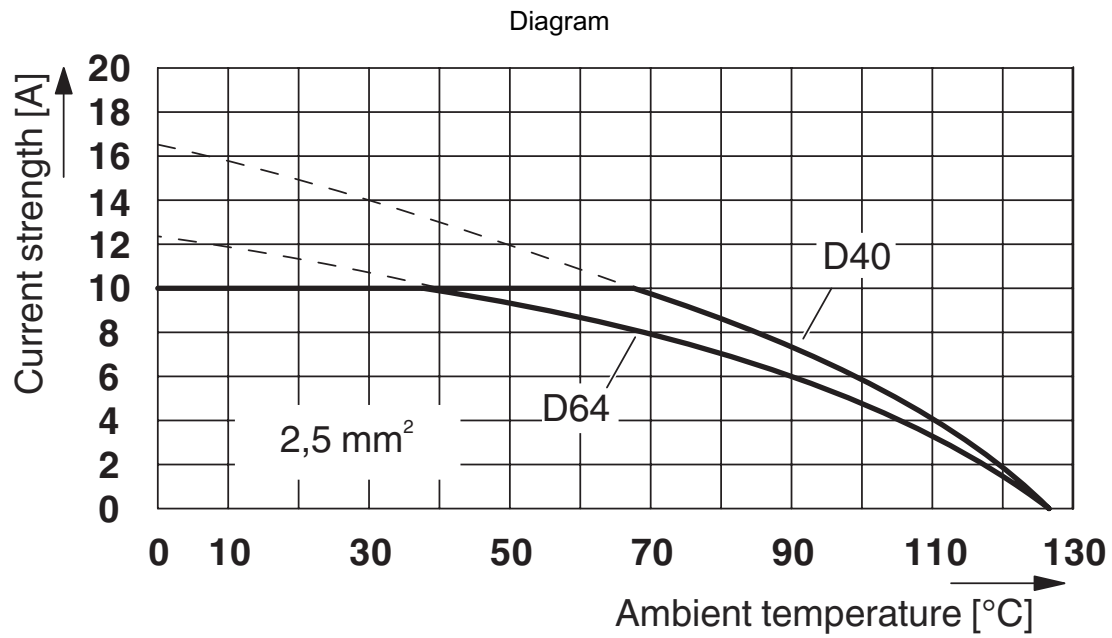
### Testing

Standards/regulations	PA: Fire protection in rail vehicles - requirement sets R22, R23, and R24 acc. to DIN EN 45545-2 (Risk level HL1 - HL3)
-----------------------	---

## Mounting

Assembly instructions	To ensure correct use, installation in housing with IP54 protection or better is required
	Not for HC-EVO panel mounting bases
	Connectors may be plugged in only when there is no load/voltage. Not for HC-B 16-AMQ-EMV housings

## Drawings



Derating diagram for 2.5 mm<sup>2</sup>

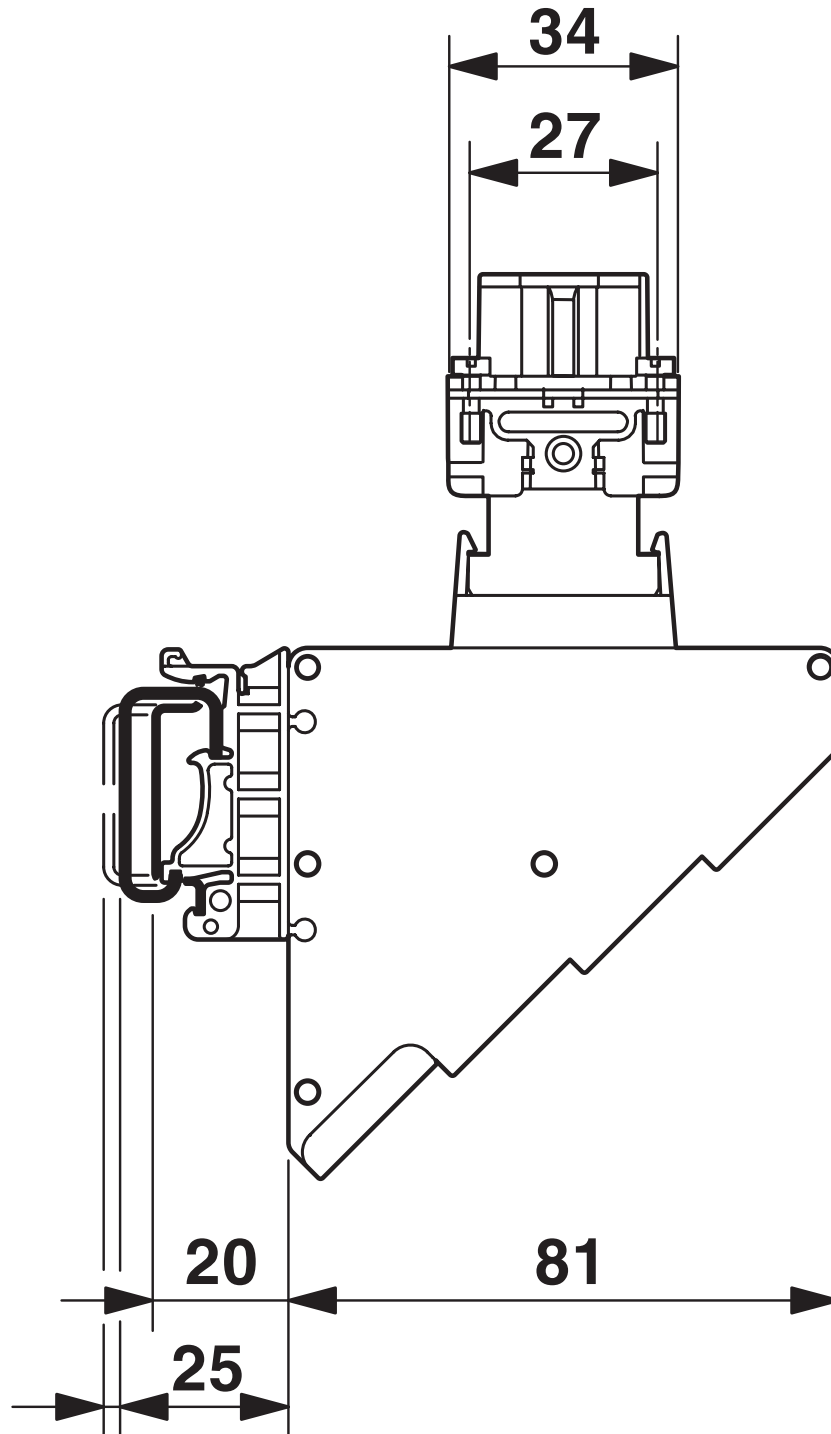
# HC-D 40-A-UT-PEL-F - Terminal adapter



1584253

<https://www.phoenixcontact.com/pc/products/1584253>

Dimensional drawing



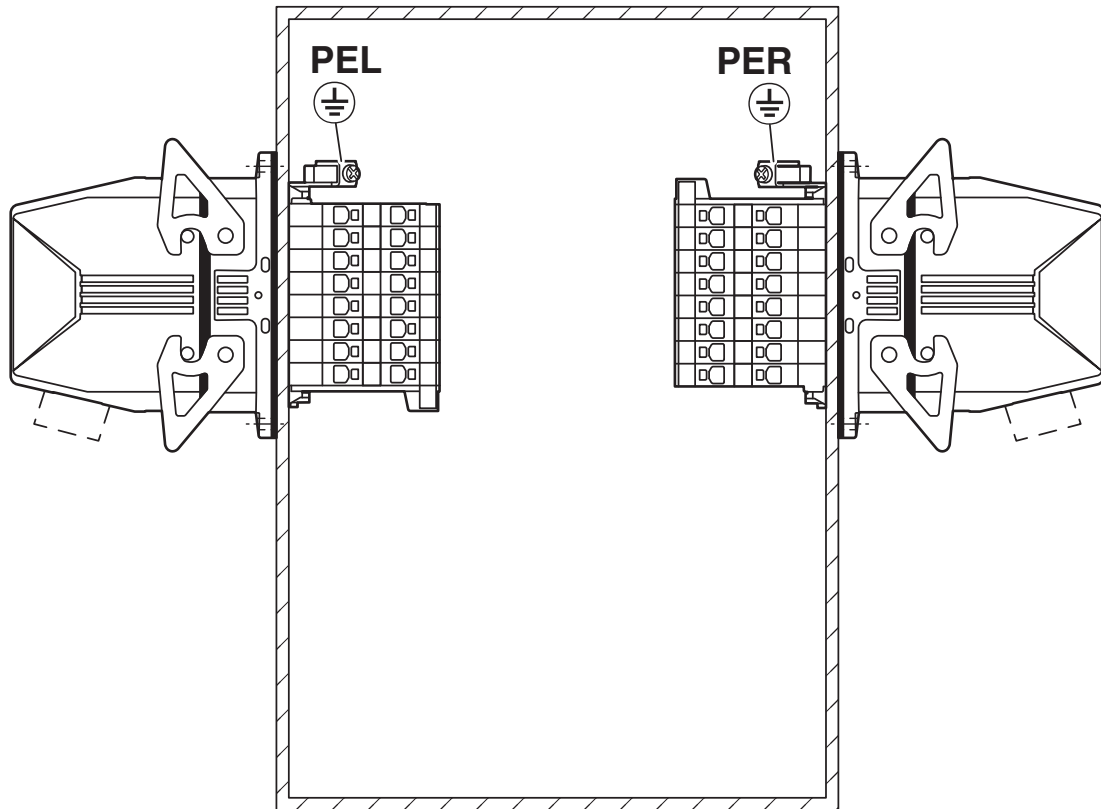
Dimensional drawing, side view

# HC-D 40-A-UT-PEL-F - Terminal adapter

1584253

<https://www.phoenixcontact.com/pc/products/1584253>

Application drawing

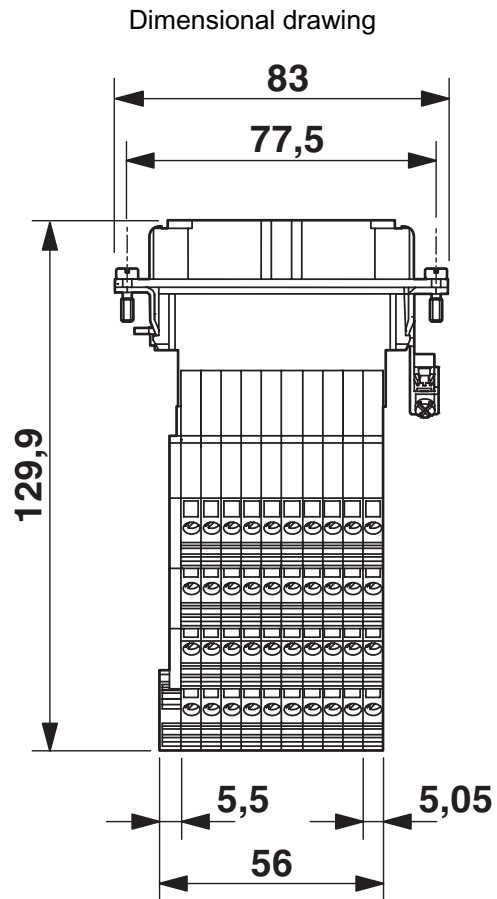


Mounting position PE connection left/right (PEL/PER)

# HC-D 40-A-UT-PEL-F - Terminal adapter

1584253

<https://www.phoenixcontact.com/pc/products/1584253>



Dimensional drawing

# HC-D 40-A-UT-PEL-F - Terminal adapter




1584253

<https://www.phoenixcontact.com/pc/products/1584253>

## Approvals

 <b>CSA</b> Approval ID: 13631	Nominal Voltage $U_N$	Nominal Current $I_N$	Cross Section AWG	Cross Section $\text{mm}^2$
	600 V	7 A	- 14	-

 <b>UL Recognized</b> Approval ID: E118976	Nominal Voltage $U_N$	Nominal Current $I_N$	Cross Section AWG	Cross Section $\text{mm}^2$
	600 V	7 A	- 14	-

 <b>EAC</b> Approval ID: RU C-DE.AI30.B.01102
---

 <b>UL Recognized</b> Approval ID: E468743	Nominal Voltage $U_N$	Nominal Current $I_N$	Cross Section AWG	Cross Section $\text{mm}^2$
	600 V	7 A	-	-

# HC-D 40-A-UT-PEL-F - Terminal adapter



1584253

<https://www.phoenixcontact.com/pc/products/1584253>

## Classifications

### ECLASS

ECLASS-9.0	27440222
ECLASS-10.0.1	27440222
ECLASS-11.0	27440222
ECLASS-12.0	27440222

### ETIM

ETIM 8.0	EC000438
----------	----------

### UNSPSC

UNSPSC 21.0	39121500
-------------	----------

# HC-D 40-A-UT-PEL-F - Terminal adapter



1584253

<https://www.phoenixcontact.com/pc/products/1584253>

## Environmental Product Compliance

China RoHS	Environmentally friendly use period: unlimited = EFUP-e
	No hazardous substances above threshold values

# HC-D 40-A-UT-PEL-F - Terminal adapter

1584253

<https://www.phoenixcontact.com/pc/products/1584253>



## Accessories

### HC-KA-FE - Foot element

1775240

<https://www.phoenixcontact.com/pc/products/1775240>



Foot element, for mounting on DIN rail NS 32, DIN rail NS 35/7.5 or DIN rail NS 35/15, can be inserted between basic and side element

---

### HC-VSH - Locking screw barrel

1660083

<https://www.phoenixcontact.com/pc/products/1660083>



Locking screw barrel, for a firm connection of contact inserts and DIN-rail mountable terminal adapters

# HC-D 40-A-UT-PEL-F - Terminal adapter

1584253

<https://www.phoenixcontact.com/pc/products/1584253>



## HC-CST - Coding element

1676857

<https://www.phoenixcontact.com/pc/products/1676857>



Coding peg for coding up to 16 connectors

---

## HC-CBU - Coding element

1676860

<https://www.phoenixcontact.com/pc/products/1676860>



Coding socket for coding up to 16 connectors

# HC-D 40-A-UT-PEL-F - Terminal adapter

1584253

<https://www.phoenixcontact.com/pc/products/1584253>



## HC-CB - Coding bolt

1772722

<https://www.phoenixcontact.com/pc/products/1772722>



Coding pin, prevents mismatching of up to six connectors with an identical number of positions

---

## HC-B-PES - Screw

1604997

<https://www.phoenixcontact.com/pc/products/1604997>



PE screw, for contact inserts HC-B / HC-BB / HC-DD / HC-D40 / HC-D64

# HC-D 40-A-UT-PEL-F - Terminal adapter

1584253

<https://www.phoenixcontact.com/pc/products/1584253>



## HC-B-3PE - PE multiplier

1644326

<https://www.phoenixcontact.com/pc/products/1644326>



PE multiplier, for 3 PE connections, for HC-B / HC-BB / HC-DD / HC-D40 / HC-D64 contact inserts

---

## ZB 5 :UNBEDRUCKT - Zack marker strip

1050004

<https://www.phoenixcontact.com/pc/products/1050004>



Zack marker strip, Strip, white, unlabeled, can be labeled with: PLOTMARK, CMS-P1-PLOTTER, mounting type: snapped, for terminal block width: 5.2 mm, lettering field size: 5.1 x 10.5 mm, Number of individual labels: 10

# HC-D 40-A-UT-PEL-F - Terminal adapter

1584253

<https://www.phoenixcontact.com/pc/products/1584253>



## HC-D 40-I-CT-M - Contact insert

1584415

<https://www.phoenixcontact.com/pc/products/1584415>

HEAVYCON male insert, D40 series, 40-pos., crimp connection



---

Phoenix Contact 2023 © - all rights reserved

<https://www.phoenixcontact.com>

PHOENIX CONTACT GmbH & Co. KG

Flachsmarktstraße 8

D-32825 Blomberg

+49 (0) 5235-3 00

[info@phoenixcontact.com](mailto:info@phoenixcontact.com)