

1577961-1 ✓ ACTIVE



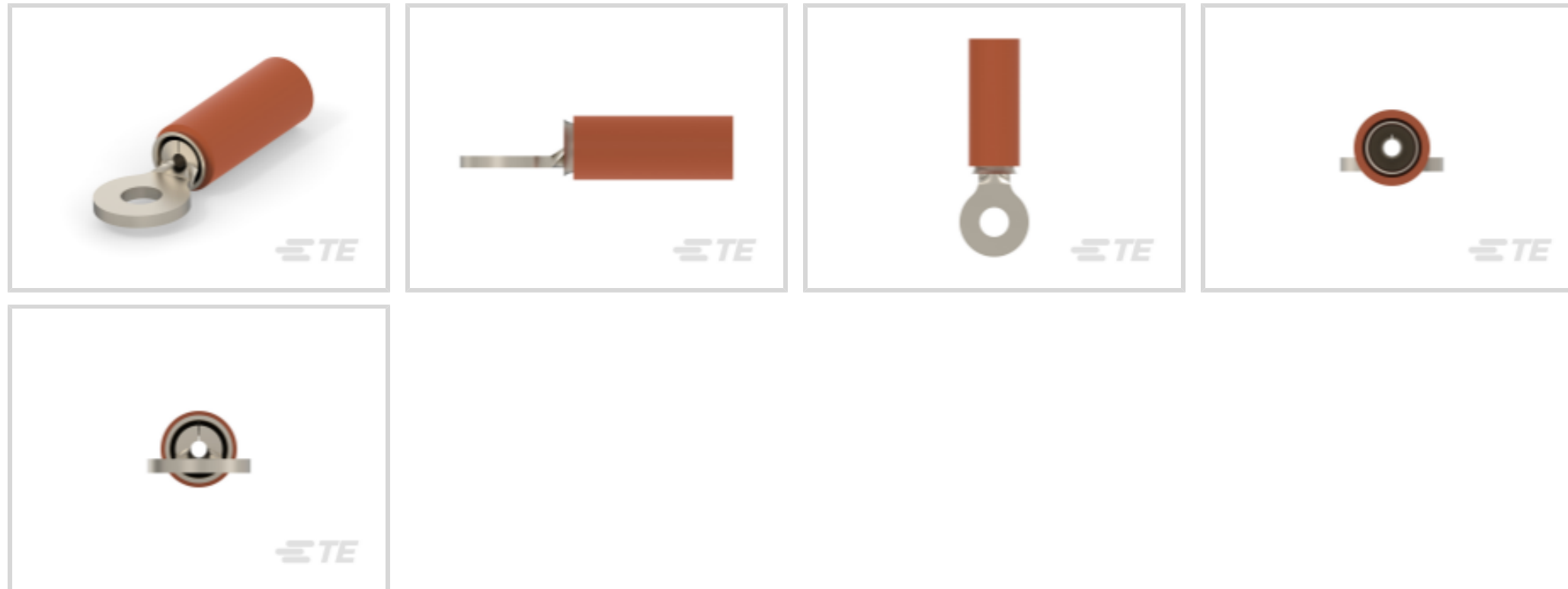
STRATO-THERM

TE Internal #: 1577961-1

Closed Ring Tongue Terminal, 24 - 22 AWG, #2 Stud Size, 2.36 mm [.093 in] Stud Diameter, Closed Barrel, Straight, Nickel, STRATO-THERM

[View on TE.com >](#)

Terminals & Splices > Ring Terminals



Ring Terminal Product Type: Closed Ring Tongue Terminal

Wire Size: .205 - .326 mm²

Stud Size: #2

Stud Diameter: 2.36 mm [.093 in]

Features

Product Type Features

Ring Terminal Product Type	Closed Ring Tongue Terminal
Stud Size	#2
Sealable	No
Wire Insulation Support Retention Type	Non-Insulation Support

Configuration Features

Number of Holes	1
-----------------	---

Electrical Characteristics

Current Rating	1 A
----------------	-----

Contact Features

Barrel Type	Closed
Terminal Orientation	Straight
Terminal Plating Material	Nickel

Mechanical Attachment

Wire Insulation Support	Without
-------------------------	---------



Dimensions

Wire Size	.205 - .326 mm ²
Stud Diameter	2.36 mm [.093 in]
Tongue Thickness	.79 mm [.031 in]
Product Length	18.04 mm [.71 in]
Compatible Insulation Diameter (Max)	1.9 mm [.075 in]
Compatible Insulation Diameter Range	.89 - 1.9 mm [.035 - .075 in]

Usage Conditions

Insulation Option	Partially Insulated
Operating Temperature Range	260 °C [500 °F]

Industry Standards

Government Qualified Terminal	No
-------------------------------	----

Packaging Features

Packaging Quantity	1000
Packaging Method	Bag

Product Compliance

[For compliance documentation, visit the product page on TE.com>](#)

EU RoHS Directive 2011/65/EU	Compliant
EU ELV Directive 2000/53/EC	Compliant
China RoHS 2 Directive MIIT Order No 32, 2016	No Restricted Materials Above Threshold
EU REACH Regulation (EC) No. 1907/2006	Current ECHA Candidate List: JAN 2024 (240) Candidate List Declared Against: DEC 2014 (161) SVHC > Threshold: Not Yet Reviewed
Halogen Content	Not Yet Reviewed for halogen content
Solder Process Capability	Not applicable for solder process capability

Product Compliance Disclaimer

This information is provided based on reasonable inquiry of our suppliers and represents our current actual knowledge based on the information they provided. This information is subject to change. The part numbers that TE has identified as EU RoHS compliant have a maximum concentration of 0.1% by weight in homogenous materials for lead, hexavalent chromium, mercury, PBB, PBDE, DBP, BBP, DEHP, DIBP, and 0.01% for cadmium, or qualify for an exemption to these limits as defined in the Annexes of Directive 2011/65/EU (RoHS2). Finished electrical and electronic equipment products will be CE marked as required by Directive 2011/65/EU. Components may not be CE marked. Additionally, the part numbers that TE has identified as EU ELV compliant have a maximum concentration of 0.1% by weight in homogenous

materials for lead, hexavalent chromium, and mercury, and 0.01% for cadmium, or qualify for an exemption to these limits as defined in the Annexes of Directive 2000/53/EC (ELV). Regarding the REACH Regulations, TE's information on SVHC in articles for this part number is still based on the European Chemical Agency (ECHA) 'Guidance on requirements for substances in articles'(Version: 2, April 2011), applying the 0.1% weight on weight concentration threshold at the finished product level. TE is aware of the European Court of Justice ruling of September 10th, 2015 also known as O5A (Once An Article Always An Article) stating that, in case of 'complex object', the threshold for a SVHC must be applied to both the product as a whole and simultaneously to each of the articles forming part of its composition. TE has evaluated this ruling based on the new ECHA "Guidance on requirements for substances in articles" (June 2017, version 4.0) and will be updating its statements accordingly.

Compatible Parts



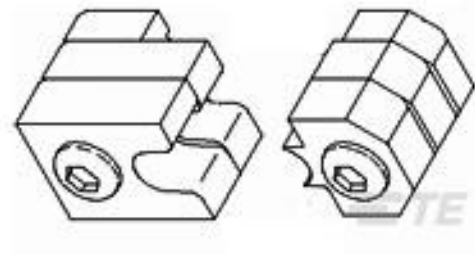
TE Part # 576778
HHHT PIDG PEEK STRATO 24-22 ASSY



TE Part # 1901611-2
CCII PIDG STRATO 24-20 ASSY



TE Part # 1901611-1
CCII PIDG STRATO 24-20 ASSY




TE Part # 576711
SAHT PIDG PEEK STRATO 24-22 DIE SET

Also in the Series | STRATO-THERM



Crimp Wire Pins, Tabs & Ferrules(1)

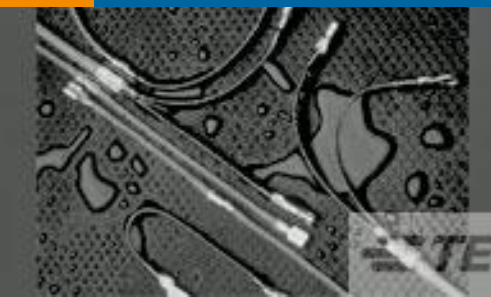


Ring Terminals(88)

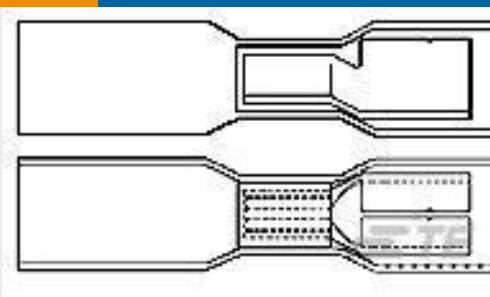


Splices(14)


Customers Also Bought



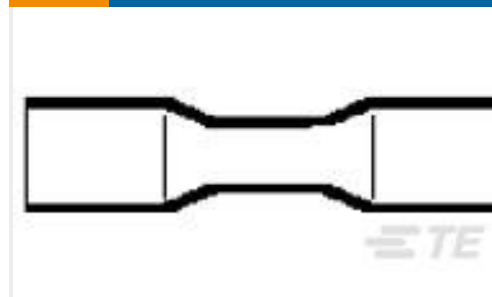
TE Part # CC2648-000
B-106-1603CS50



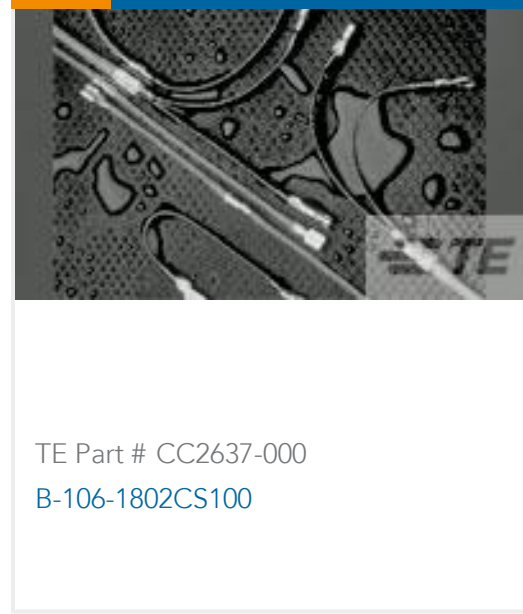
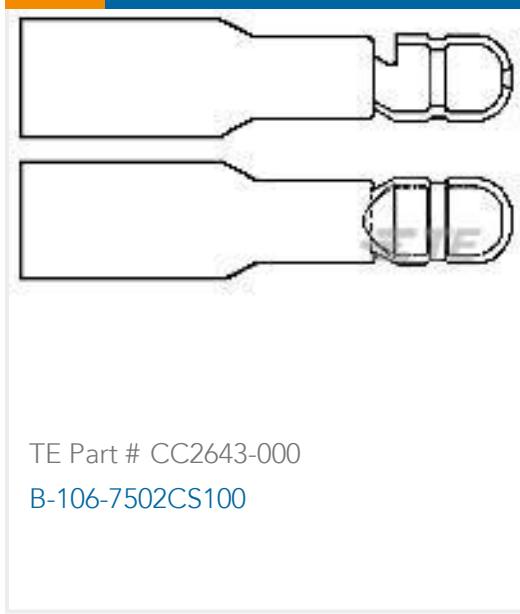
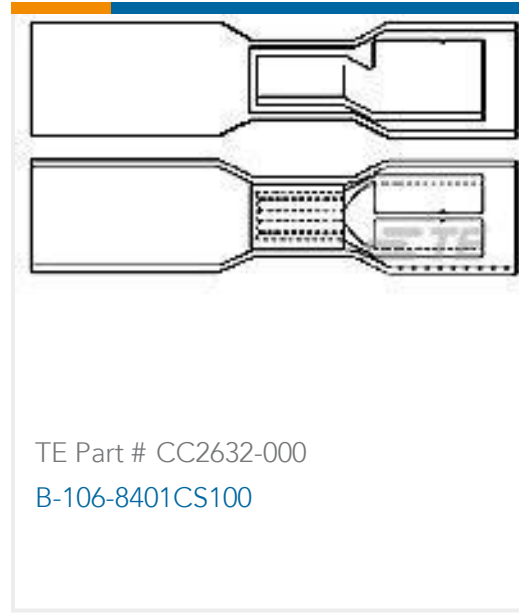
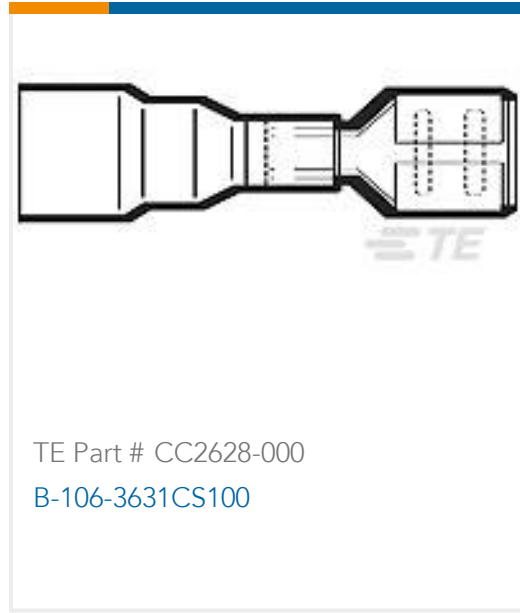
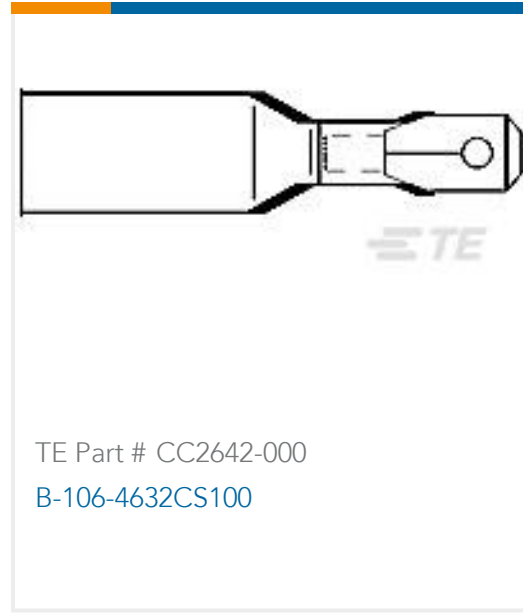
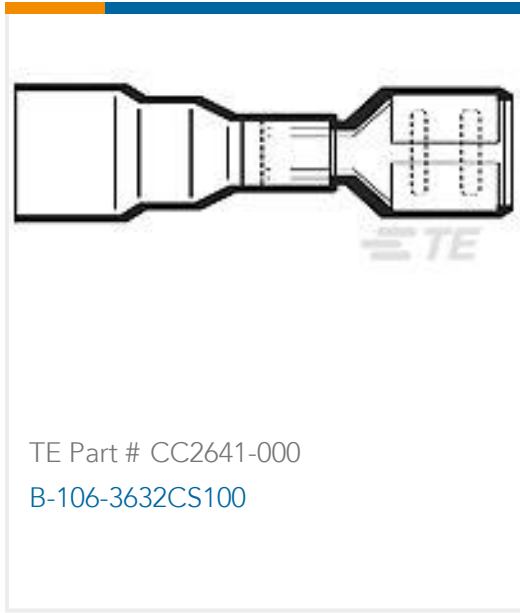
TE Part # CC2644-000
B-106-8502CS100



TE Part # CC2623-000
B-106-1601CS100



TE Part # CC2645-000
D-406-0003CS50



Documents

Product Drawings

[TERMINAL, PEEK PIDG STRATO, 24-22 AWG](#)

English

CAD Files

[3D PDF](#)

3D

Customer View Model

[ENG_CVM_CVM_1577961-1_A.2d_dxf.zip](#)

English

Customer View Model

[ENG_CVM_CVM_1577961-1_A.3d_igs.zip](#)

English

Customer View Model

[ENG_CVM_CVM_1577961-1_A.3d_stp.zip](#)

English

By downloading the CAD file I accept and agree to the [Terms and Conditions](#) of use.

Product Specifications

[Application Specification](#)

English