

1577640-1 ✓ ACTIVE

STRATO-THERM

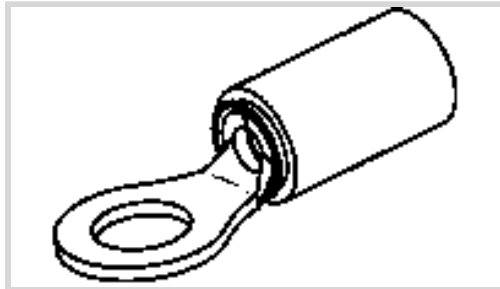
TE Internal #: 1577640-1

Rings & Spades, Ring Tongue, 14 – 12 AWG, 2.08 – 3.31 mm², 3260 – 8230 CMA, #10, Stud Diameter 5 mm [.197 in], Tongue Thickness .79 mm [.031 in]

[View on TE.com >](#)



Terminals & Splices > Rings & Spades



Terminal & Splice Type: **Ring Tongue**

Wire Size: **3260 – 8230 CMA**

Stud Size: **#10**

Features

Product Type Features

Stud Size	#10
Barrel Type	Closed Barrel
Sealable	No
Insulated	Yes
Wire/Cable Type	Regular Wire
Support Style	Insulation Support

Configuration Features

Number of Holes	1
Terminal Angle	Straight

Electrical Characteristics

Current Rating	1 A
----------------	-----

Body Features

Insulation Sleeve Color	Beige
Plating Material	Copper, Nickel

Contact Features

Terminal & Splice Type	Ring Tongue
Terminal Orientation	Straight

Mechanical Attachment

Wire Insulation Support	With
-------------------------	------



Dimensions

Wire Insulation Diameter (Min)	2.3 mm[.09 in]
Wire Size	3260 – 8230 CMA
Stud Diameter	5 mm[.197 in]
Tongue Thickness	.79 mm[.031 in]
Overall Length	22.99 mm[.905 in]
Wire Insulation Diameter (Max)	3.18 mm[.125 in]
Wire Insulation Diameter	2.29 – 3.18 mm[.09 – .125 in]

Usage Conditions

Operating Temperature Range	260 °C[500 °F]
-----------------------------	----------------

Operation/Application

Heavy Duty	No
------------	----

Industry Standards

Government Qualified	No
----------------------	----

Packaging Features

Packaging Quantity	500
Packaging Method	Bag

Product Compliance

[For compliance documentation, visit the product page on TE.com>](#)

EU RoHS Directive 2011/65/EU	Compliant
EU ELV Directive 2000/53/EC	Compliant
China RoHS 2 Directive MIIT Order No 32, 2016	No Restricted Materials Above Threshold
EU REACH Regulation (EC) No. 1907/2006	Current ECHA Candidate List: JAN 2020 (205) Candidate List Declared Against: JAN 2019 (197) Does not contain REACH SVHC
EU REACH Regulation (EC) No. 1907/2006	Current ECHA Candidate List: JAN 2020 (205) Candidate List Declared Against: JAN 2019 (197)
Halogen Content	Low Halogen - Br, Cl, F, I < 900 ppm per homogenous material. Also BFR/CFR/PVC Free
Solder Process Capability	Not applicable for solder process capability

Product Compliance Disclaimer

This information is provided based on reasonable inquiry of our suppliers and represents our current actual knowledge based on the information they provided. This information is subject to change. The part numbers that TE has identified as EU RoHS compliant have a maximum concentration of 0.1% by weight in homogenous materials for lead, hexavalent chromium, mercury, PBB, PBDE, DBP, BBP, DEHP, DIBP, and 0.01% for cadmium, or qualify for an exemption to these limits as defined in the Annexes of Directive 2011/65/EU (RoHS2). Finished electrical and electronic equipment products will be CE marked as required by Directive 2011/65/EU. Components may not be CE marked. Additionally, the part numbers that TE has identified as EU ELV compliant have a maximum concentration of 0.1% by weight in homogenous materials for lead, hexavalent chromium, and mercury, and 0.01% for cadmium, or qualify for an exemption to these limits as defined in the Annexes of Directive 2000/53/EC (ELV). Regarding the REACH Regulations, TE's information on SVHC in articles for this part number is still based on the European Chemical Agency (ECHA) 'Guidance on requirements for substances in articles' (Version: 2, April 2011), applying the 0.1% weight on weight concentration threshold at the finished product level. TE is aware of the European Court of Justice ruling of September 10th, 2015 also known as O5A (Once An Article Always An Article) stating that, in case of 'complex object', the threshold for a SVHC must be applied to both the product as a whole and simultaneously to each of the articles forming part of its composition. TE has evaluated this ruling based on the new ECHA "Guidance on requirements for substances in articles" (June 2017, version 4.0) and will be updating its statements accordingly.

Compatible Parts



TE Model / Part # 576783
HEAVY HD HT, STRATO #12



TE Model / Part # 576782
HEAVY HD HT, STRATO #14

Customers Also Bought




TE Model / Part #1577633-1
TERMINAL RT PIDG PEEK STRATO 18-16 AWG



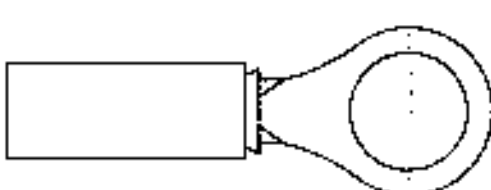
TE Model / Part #1577647-1
TERMINAL RT PIDG PEEK STRATO 10 AWG



TE Model / Part #2226454-1
PIN INSERT, 16-02 CABLE APPLIED



TE Model / Part #170330-2
PL 187 RECEPTACLE 24-20 AWG NPPHBZ



TE Model / Part #1577624-1
TERMINAL RT PIDG PEEK STRATO 20 AWG



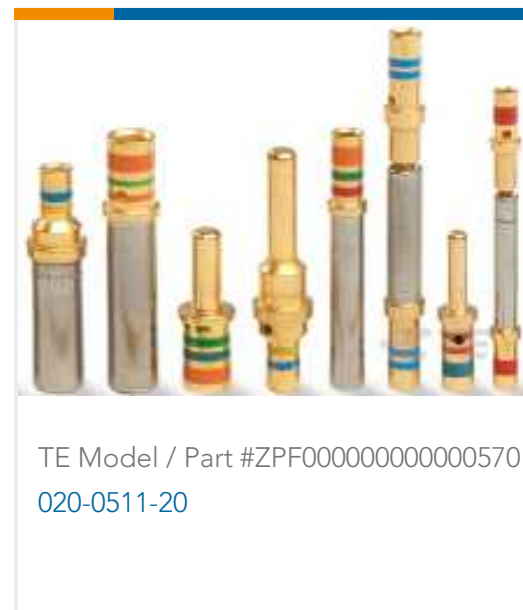
TE Model / Part #1-160773-0
PL 250 REC TERMINAL 20-15 NIPPB LP



TE Model / Part #ZPF000000000000569
020-0511-16



TE Model / Part #ZPF0000000000001930
182-0118-20



Documents

Product Drawings

TERMINAL RT PIDG PEEK STRATO 14-12 AWG

English

CAD Files

3D PDF

3D

Customer View Model

[ENG_CVM_CVM_1577640-1_B.2d_dxf.zip](#)

English

Customer View Model

[ENG_CVM_CVM_1577640-1_B.3d_igs.zip](#)

English

Customer View Model

[ENG_CVM_CVM_1577640-1_B.3d_stp.zip](#)

English

By downloading the CAD file I accept and agree to the [Terms and Conditions](#) of use.

Product Specifications

Application Specification

English

Product Environmental Compliance

TE Material Declaration

English