

1577621-1 ✓ ACTIVE



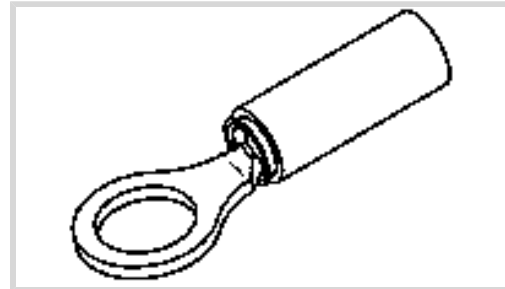
## STRATO-THERM

TE Internal #: 1577621-1

Rings & Spades, Ring Tongue, 24 – 22 AWG, .205 – .326 mm<sup>2</sup>, 404 – 643 CMA, #10, Stud Diameter 5 mm [.197 in], Tongue Thickness .79 mm [.031 in]

[View on TE.com >](#)

Terminals & Splices > Rings & Spades



Terminal & Splice Type: **Ring Tongue**

Wire Size: **404 – 643 CMA**

Stud Size: **#10**

### Features

#### Product Type Features

|                 |                          |
|-----------------|--------------------------|
| Stud Size       | #10                      |
| Barrel Type     | Closed Barrel            |
| Sealable        | No                       |
| Insulated       | Yes                      |
| Wire/Cable Type | Regular Wire             |
| Support Style   | Non - Insulation Support |

#### Configuration Features

|                 |          |
|-----------------|----------|
| Number of Holes | 1        |
| Terminal Angle  | Straight |

#### Electrical Characteristics

|                |     |
|----------------|-----|
| Current Rating | 1 A |
|----------------|-----|

#### Body Features

|                         |                |
|-------------------------|----------------|
| Insulation Sleeve Color | Brown          |
| Stripe Color            | Brown          |
| Plating Material        | Copper, Nickel |

#### Contact Features

|                        |             |
|------------------------|-------------|
| Terminal & Splice Type | Ring Tongue |
| Terminal Orientation   | Straight    |

#### Mechanical Attachment



|                         |      |
|-------------------------|------|
| Wire Insulation Support | With |
|-------------------------|------|

### Dimensions

|                                |                              |
|--------------------------------|------------------------------|
| Wire Insulation Diameter (Min) | .89 mm[.035 in]              |
| Wire Size                      | 404 – 643 CMA                |
| Stud Diameter                  | 5 mm[.197 in]                |
| Tongue Thickness               | .79 mm[.031 in]              |
| Overall Length                 | 21.32 mm[.839 in]            |
| Wire Insulation Diameter (Max) | 1.9 mm[.075 in]              |
| Wire Insulation Diameter       | .89 – 1.9 mm[.035 – .075 in] |

### Usage Conditions

|                             |                |
|-----------------------------|----------------|
| Operating Temperature Range | 260 °C[500 °F] |
|-----------------------------|----------------|

### Operation/Application

|            |    |
|------------|----|
| Heavy Duty | No |
|------------|----|

### Industry Standards

|                      |    |
|----------------------|----|
| Government Qualified | No |
|----------------------|----|

### Packaging Features

|                    |      |
|--------------------|------|
| Packaging Quantity | 1000 |
| Packaging Method   | Bag  |

### Product Compliance

[For compliance documentation, visit the product page on TE.com>](#)

|   |   |
|---|---|
| EU RoHS Directive 2011/65/EU                  | Compliant   |
| EU ELV Directive 2000/53/EC                   | Compliant   |
| China RoHS 2 Directive MIIT Order No 32, 2016 | No Restricted Materials Above Threshold   |
| EU REACH Regulation (EC) No. 1907/2006        | Current ECHA Candidate List: JAN 2020 (205)<br>Candidate List Declared Against: JAN 2019 (197)<br>Does not contain REACH SVHC |
| EU REACH Regulation (EC) No. 1907/2006        | Current ECHA Candidate List: JAN 2020 (205)<br>Candidate List Declared Against: JAN 2019 (197)                                |
| Halogen Content                               | Low Halogen - Br, Cl, F, I < 900 ppm per homogenous material. Also BFR/CFR/PVC Free   |



Solder Process Capability Not applicable for solder process capability

Product Compliance Disclaimer

This information is provided based on reasonable inquiry of our suppliers and represents our current actual knowledge based on the information they provided. This information is subject to change. The part numbers that TE has identified as EU RoHS compliant have a maximum concentration of 0.1% by weight in homogenous materials for lead, hexavalent chromium, mercury, PBB, PBDE, DBP, BBP, DEHP, DIBP, and 0.01% for cadmium, or qualify for an exemption to these limits as defined in the Annexes of Directive 2011/65/EU (RoHS2). Finished electrical and electronic equipment products will be CE marked as required by Directive 2011/65/EU. Components may not be CE marked. Additionally, the part numbers that TE has identified as EU ELV compliant have a maximum concentration of 0.1% by weight in homogenous materials for lead, hexavalent chromium, and mercury, and 0.01% for cadmium, or qualify for an exemption to these limits as defined in the Annexes of Directive 2000/53/EC (ELV). Regarding the REACH Regulations, TE's information on SVHC in articles for this part number is still based on the European Chemical Agency (ECHA) 'Guidance on requirements for substances in articles' (Version: 2, April 2011), applying the 0.1% weight on weight concentration threshold at the finished product level. TE is aware of the European Court of Justice ruling of September 10th, 2015 also known as O5A (Once An Article Always An Article) stating that, in case of 'complex object', the threshold for a SVHC must be applied to both the product as a whole and simultaneously to each of the articles forming part of its composition. TE has evaluated this ruling based on the new ECHA "Guidance on requirements for substances in articles" (June 2017, version 4.0) and will be updating its statements accordingly.

### Compatible Parts



TE Model / Part # 576778  
HEAVY HD HT, STRATO #24-#22



TE Model / Part # 1901611-2  
HT, CCII, STRATO,24-20, SHORT



TE Model / Part # 1901611-1  
HT,CCII, STRATO,24-20, LONG


### Customers Also Bought



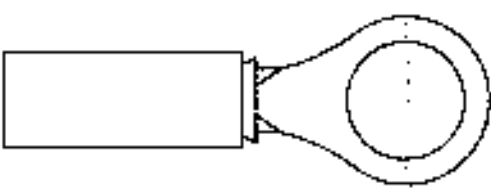
TE Model / Part #1577633-1  
TERMINAL RT PIDG PEEK STRATO 18-16 AWG



TE Model / Part #2226454-1  
PIN INSERT, 16-02 CABLE APPLIED



TE Model / Part #170330-2  
PL 187 RECEPTACLE 24-20 AWG NPPHBZ



TE Model / Part #1577624-1  
TERMINAL RT PIDG PEEK STRATO 20 AWG



TE Model / Part #ZPF00000000017864  
FAST-E 01 F-X-A 00 B



TE Model / Part #1577632-1  
TERMINAL RT PIDG PEEK STRATO 18-16 AWG



TE Model / Part #ZPF00000000001930  
182-0118-20



TE Model / Part #928083-1  
PL 187 REC HSG 1P NYLON NAT



TE Model / Part #ZPF000000000000570  
020-0511-20



TE Model / Part #ZPF000000000000571  
020-0511-22

## Documents

### Product Drawings

[TERMINAL RT PIDG PEEK STRATO 24-22 AWG](#)

English

### CAD Files

[3D PDF](#)

3D

Customer View Model

[ENG\\_CVM\\_CVM\\_1577621-1\\_B.2d\\_dxf.zip](#)

English

Customer View Model

[ENG\\_CVM\\_CVM\\_1577621-1\\_B.3d\\_igs.zip](#)

English

Customer View Model

[ENG\\_CVM\\_CVM\\_1577621-1\\_B.3d\\_stp.zip](#)

English

By downloading the CAD file I accept and agree to the [Terms and Conditions](#) of use.

### Product Specifications

[Application Specification](#)

English

### Product Environmental Compliance

[TE Material Declaration](#)

English