

1577619-1 ✓ ACTIVE

## STRATO-THERM

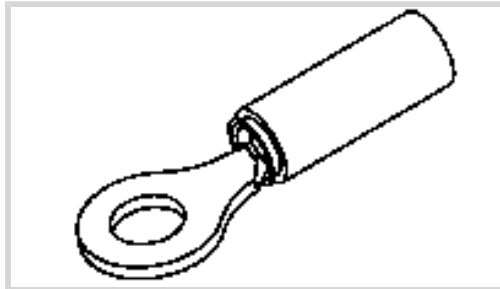
TE Internal #: 1577619-1

Rings & Spades, Ring Tongue, 24 – 22 AWG, .205 – .326 mm<sup>2</sup>, M3.5 / #6, Stud Diameter 3.68 mm [.145 in], Tongue Thickness .79 mm [.031 in]

[View on TE.com >](#)



Terminals & Splices > Rings & Spades



Terminal & Splice Type: **Ring Tongue**

Wire Size: .205 – .326 mm<sup>2</sup>

Stud Size: #6, M3.5

Stud Diameter: 3.68 mm [.145 in]

### Features

#### Product Type Features

Stud Size	#6, M3.5
Barrel Type	Closed Barrel
Sealable	No
Insulated	Yes
Wire/Cable Type	Stranded
Support Style	Non - Insulation Support

#### Configuration Features

Terminal Angle	Straight
----------------	----------

#### Body Features

Plating Material	Nickel
------------------	--------

#### Contact Features

Terminal & Splice Type	Ring Tongue
Terminal Orientation	Straight

#### Mechanical Attachment

Wire Insulation Support	Without
-------------------------	---------

#### Dimensions

Wire Size	.205 – .326 mm <sup>2</sup>
Stud Diameter	3.68 mm [.145 in]



Tongue Thickness	.79 mm[.031 in]
Overall Length	21.32 mm[.839 in]
Wire Insulation Diameter (Max)	1.9 mm[.075 in]
Wire Insulation Diameter	.89 – 1.9 mm[.035 – .075 in]

### Usage Conditions

Operating Temperature Range	260 °C[500 °F]
-----------------------------	----------------

### Operation/Application

Heavy Duty	No
------------	----

### Industry Standards

Government Qualified	No
----------------------	----

### Packaging Features

Packaging Quantity	1000
Packaging Method	Bag/Box

### Product Compliance

[For compliance documentation, visit the product page on TE.com>](#)

EU RoHS Directive 2011/65/EU	Compliant
EU ELV Directive 2000/53/EC	Compliant
China RoHS 2 Directive MIIT Order No 32, 2016	No Restricted Materials Above Threshold
EU REACH Regulation (EC) No. 1907/2006	Current ECHA Candidate List: JAN 2020 (205) Candidate List Declared Against: JAN 2019 (197) Does not contain REACH SVHC
EU REACH Regulation (EC) No. 1907/2006	Current ECHA Candidate List: JAN 2020 (205) Candidate List Declared Against: JAN 2019 (197)
Halogen Content	Low Halogen - Br, Cl, F, I < 900 ppm per homogenous material. Also BFR/CFR/PVC Free
Solder Process Capability	Not applicable for solder process capability

#### Product Compliance Disclaimer

This information is provided based on reasonable inquiry of our suppliers and represents our current actual knowledge based on the information they provided. This information is subject to change. The part numbers that TE has identified as EU RoHS compliant have a maximum concentration of 0.1% by weight in homogenous materials for lead, hexavalent chromium, mercury, PBB, PBDE, DBP, BBP, DEHP, DIBP, and 0.01% for cadmium, or qualify for an exemption to these

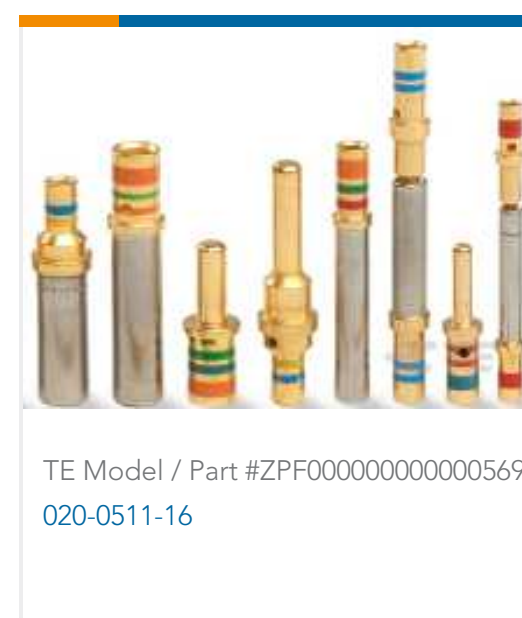
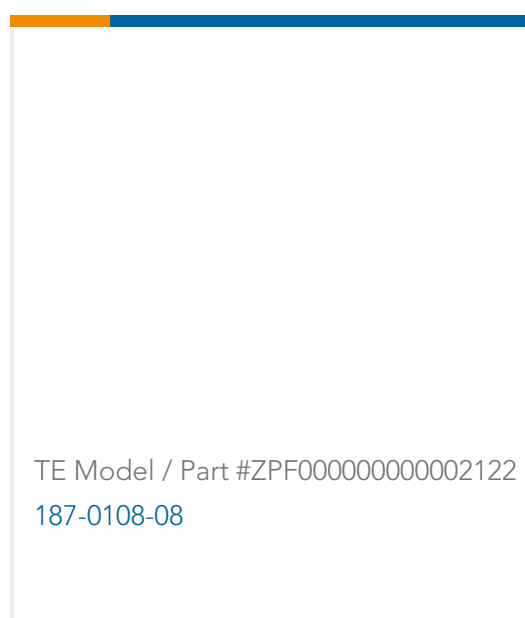
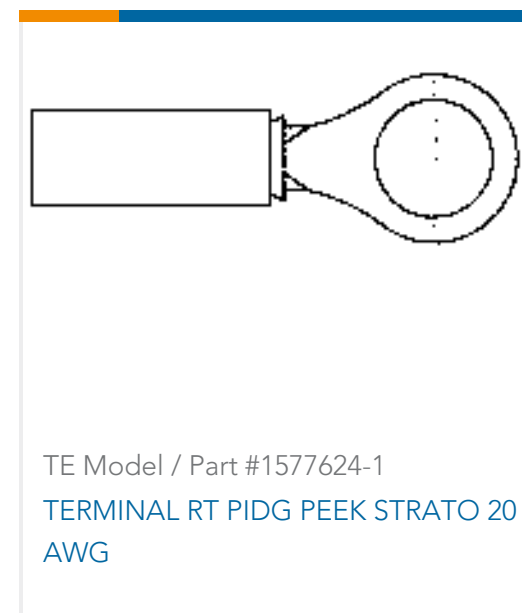


limits as defined in the Annexes of Directive 2011/65/EU (RoHS2). Finished electrical and electronic equipment products will be CE marked as required by Directive 2011/65/EU. Components may not be CE marked. Additionally, the part numbers that TE has identified as EU ELV compliant have a maximum concentration of 0.1% by weight in homogenous materials for lead, hexavalent chromium, and mercury, and 0.01% for cadmium, or qualify for an exemption to these limits as defined in the Annexes of Directive 2000/53/EC (ELV). Regarding the REACH Regulations, TE's information on SVHC in articles for this part number is still based on the European Chemical Agency (ECHA) 'Guidance on requirements for substances in articles' (Version: 2, April 2011), applying the 0.1% weight on weight concentration threshold at the finished product level. TE is aware of the European Court of Justice ruling of September 10th, 2015 also known as O5A (Once An Article Always An Article) stating that, in case of 'complex object', the threshold for a SVHC must be applied to both the product as a whole and simultaneously to each of the articles forming part of its composition. TE has evaluated this ruling based on the new ECHA "Guidance on requirements for substances in articles" (June 2017, version 4.0) and will be updating its statements accordingly.

## Compatible Parts



## Customers Also Bought





TE Model / Part #ZPF000000000001930  
182-0118-20



TE Model / Part #928083-1  
PL 187 REC HSG 1P NYLON NAT

## Documents

### Product Drawings

[TERMINAL RT PIDG PEEK STRATO 24-22 AWG](#)

English

### CAD Files

[3D PDF](#)

3D

Customer View Model

[ENG\\_CVM\\_CVM\\_1577619-1\\_B.2d\\_dxf.zip](#)

English

Customer View Model

[ENG\\_CVM\\_CVM\\_1577619-1\\_B.3d\\_igs.zip](#)

English

Customer View Model

[ENG\\_CVM\\_CVM\\_1577619-1\\_B.3d\\_stp.zip](#)

English

By downloading the CAD file I accept and agree to the [Terms and Conditions](#) of use.

### Product Specifications

[Application Specification](#)

English

### Product Environmental Compliance

[TE Material Declaration](#)

English