

OMNIMATE Power - Powerbus series BLZ/SL KO OR BX

Weidmüller Interface GmbH & Co. KG
Klingenbergstraße 26
D-32758 Detmold
Germany
Fon: +49 5231 14-0
Fax: +49 5231 14-292083
www.weidmueller.com

Product image



Similar to illustration

Only connects what is supposed to be connected: the right connection at the right place.

Coding elements and locking devices clearly assign connecting elements during the manufacturing process and operation

The coding elements and locking devices are inserted prior to assembly or during the cable assembly phase.

The Weidmüller alternative: configure online using the variant configurator to precode prior to delivery.

Incorrect assembly on the circuit board and incorrect plugging of connecting elements is no longer possible.

The advantage: no troubleshooting during manufacture and no operational errors by the user.

General ordering data

Type	BLZ/SL KO OR BX
Order No.	1573010000
Version	PCB plug-in connector, Accessories, Coding element, orange, Number of poles: 1
GTIN (EAN)	4008 190048396
Qty.	100 pc(s).
Product data	
Packaging	Box

Creation date April 14, 2020 2:21:59 AM CEST

Data sheet

**OMNIMATE Power - Powerbus series
BLZ/SL KO OR BX**

Weidmüller Interface GmbH & Co. KG
Klingenbergstraße 26
D-32758 Detmold
Germany
Fon: +49 5231 14-0
Fax: +49 5231 14-292083
www.weidmueller.com

Technical data

Dimensions and weights

Net weight 0.69 g

Material data

Insulating material	PBT GF	Colour	orange
Colour chart (similar)	RAL 2000	Storage temperature, min.	-25 °C
Storage temperature, max.	50 °C	Max. relative humidity during storage	70 %
Operating temperature, min.	-50 °C	Operating temperature, max.	100 °C
Temperature range, installation, min.	-25 °C	Temperature range, installation, max.	100 °C

Rated data acc. to IEC

tested acc. to standard IEC 60664-1, IEC 61984

Packing

Packaging	Box	VPE length	39 mm
VPE width	91 mm	VPE height	101 mm

Classifications

ETIM 6.0	EC002943	ETIM 7.0	EC002943
eClass 9.0	27-44-04-92	eClass 9.1	27-44-04-92
eClass 10.0	27-44-04-92	UNSPSC	30-21-18-01

Notes

IPC conformity Conformity: The products are developed, manufactured and delivered according international recognized standards and norms and comply with the assured properties in the data sheet resp. fulfill decorative properties in accordance with IPC-A-610 "Class 2". Further claims on the products can be evaluated on request.

Approvals

Approvals



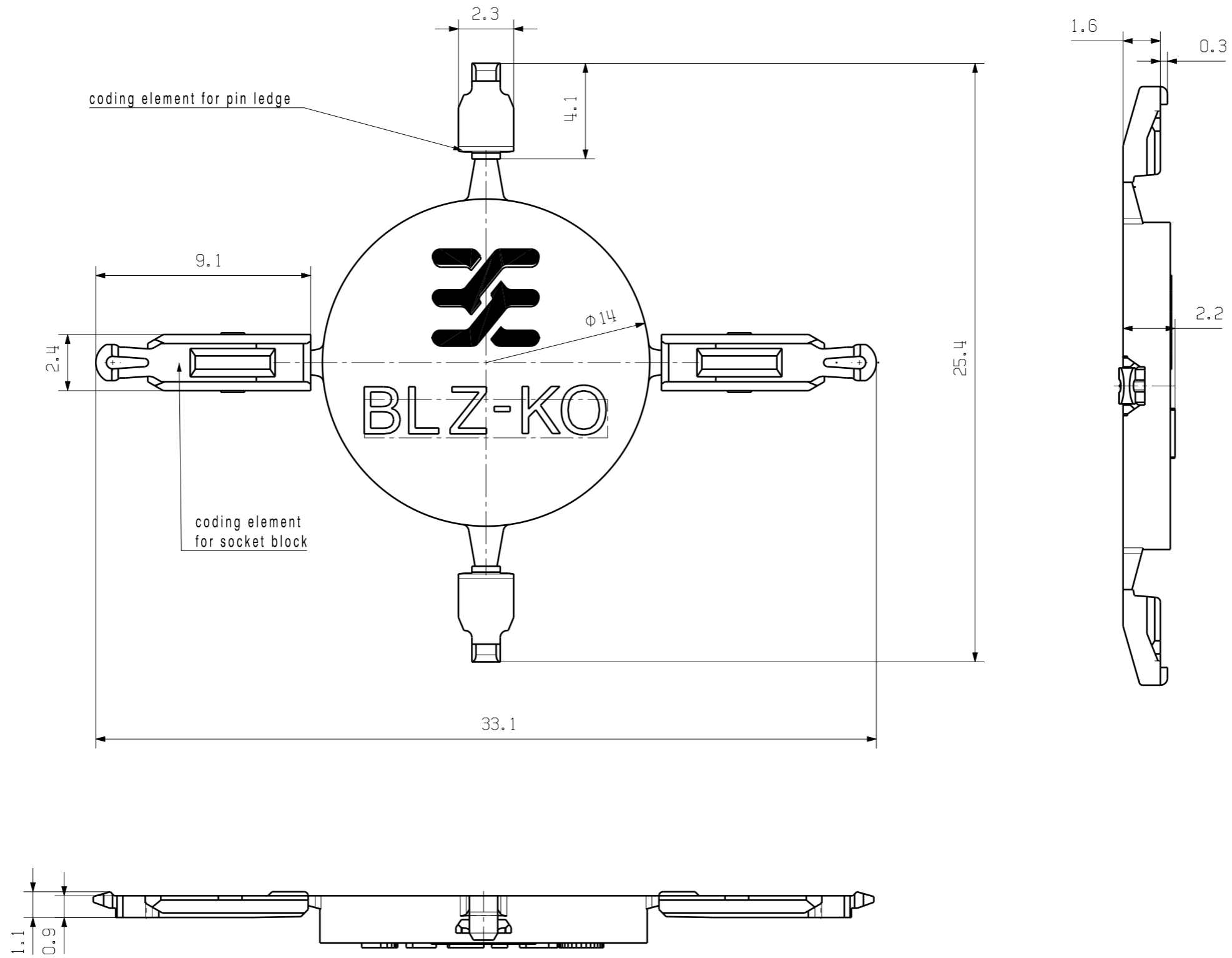
ROHS Conform

**OMNIMATE Power - Powerbus series
BLZ/SL KO OR BX**

Weidmüller Interface GmbH & Co. KG
Klingenbergstraße 26
D-32758 Detmold
Germany
Fon: +49 5231 14-0
Fax: +49 5231 14-292083
www.weidmueller.com

Technical data**Downloads**




Approval/Certificate/Document of Conformity	Declaration of the Manufacturer
Brochure/Catalogue	FL DRIVES EN MB DEVICE MANUF. EN FL DRIVES DE CAT 1 TERM. 16/17 EN CAT 2 PORTFOLIOGUIDE EN FL BUILDING SAFETY EN FL APPL LED LIGHTING EN FLIndustr.CONTROLS EN FL MACHINE SAFETY EN FL HEATING ELECTR EN FL APPL INVERTER EN FL_BASE_STATION_EN FL ELEVATOR EN FL POWER SUPPLY EN FL 72H SAMPLE SER EN PO OMNIMATE EN
Engineering Data	STEP



The reproduction, distribution and utilization of this document as well as the communication of its contents to others without explicit authorization is prohibited. Offenders will be held liable for the payment of damages. Weidmüller exclusively reserves the right to file for patents, utility models or designs.

© Weidmüller Interface GmbH & Co. KG

1545710000	black	BLZ-KO SW	socket block / pin header black
1573010000	orange	BLZ-KO OR	socket block / pin header orange
order number	colour	title	usage

General tolerance: DIN ISO 2768-mK		92434/0 10.04.17 HERTEL_S 16		Cat.no.: .		
				C 62110 02		
				Drawing no. Issue no. Sheet 01 of 01 sheets		
		Modification		KO BLZ../SL .. KODIERELEMENT ACCESSORY		
		Drawn	Date			Name
		Responsible				
Scale: 10:1		Checked	18.04.2017	HELIS_MA	Product file: BLZ 5.08	
Supersedes: .		Approved		LANG_T		7147