

1571300-3 ✓ ACTIVE

TE Internal #: 1571300-3

Tactile Switches, Round Actuator Style, Operating Function Off (On), Stainless Steel, Silver, Dust Proof, Support Bracket

[View on TE.com >](#)



Relays, Contactors & Switches > Switches > Tactile Switches



Actuator Style: **Round**

Operating Function: **Off (On)**

Contact Base Material: **Stainless Steel**

Switch Contact Plating Material: **Silver**

Dust Proof: **Yes**

Features

Product Type Features

| | |
|----------------|--------|
| Product Type | Switch |
| Actuator Style | Round |
| Dust Proof | Yes |

Configuration Features

| | |
|----------------------------|----------------------------|
| ESD Grounding Terminal | Without |
| Operating Function | Off (On) |
| Support Bracket | With |
| Configuration (Pole-Throw) | Single Pole - Single Throw |
| Number of Actuators | 1 |

Electrical Characteristics

| | |
|-------------------------------|--------|
| Tactile Switch Voltage Rating | 24 VDC |
|-------------------------------|--------|

Body Features

| | |
|-------------------|---------------|
| Actuator Material | Thermoplastic |
| Actuator Color | Black |

Contact Features



| | |
|---------------------------------------|-----------------|
| Contact Base Material | Stainless Steel |
| Switch Contact Plating Material | Silver |
| Tactile Switch Contact Current Rating | 50 mA |

Mechanical Attachment

| | |
|-------------------------------|---------------|
| Tactile Switch Mounting Type | Surface Mount |
| Tactile Switch Mounting Angle | Right Angle |

Housing Features

| | |
|----------------|-----|
| Process Sealed | Yes |
|----------------|-----|

Usage Conditions

| | |
|--------------------|-------------|
| Temperature Rating | -35 – 85 °C |
|--------------------|-------------|

Packaging Features

| | |
|------------------|-------------|
| Packaging Method | Tape & Reel |
|------------------|-------------|

Product Compliance

[For compliance documentation, visit the product page on TE.com>](#)

| | |
|---|---|
| EU RoHS Directive 2011/65/EU | Compliant |
| EU ELV Directive 2000/53/EC | Compliant |
| China RoHS 2 Directive MIIT Order No 32, 2016 | No Restricted Materials Above Threshold |
| EU REACH Regulation (EC) No. 1907/2006 | Current ECHA Candidate List: JUL 2021 (219) Candidate List Declared Against: JUN 2020 (209) SVHC > Threshold: Not Yet Reviewed |
| Halogen Content | Low Halogen - Br, Cl, F, I < 900 ppm per homogenous material. Also BFR/CFR/PVC Free |
| Solder Process Capability | Reflow solder capable to 245°C |

Product Compliance Disclaimer

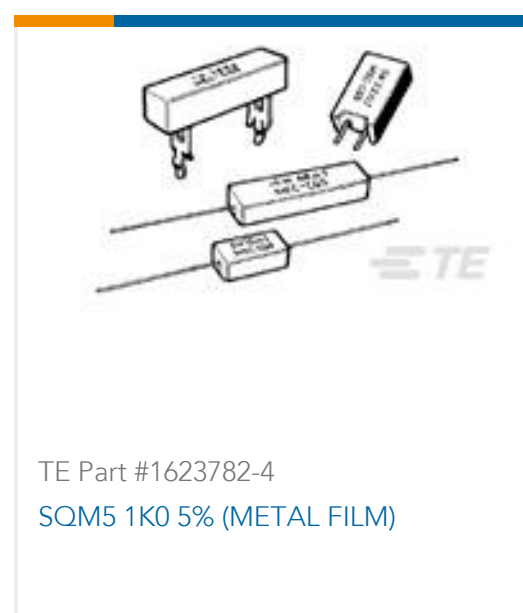
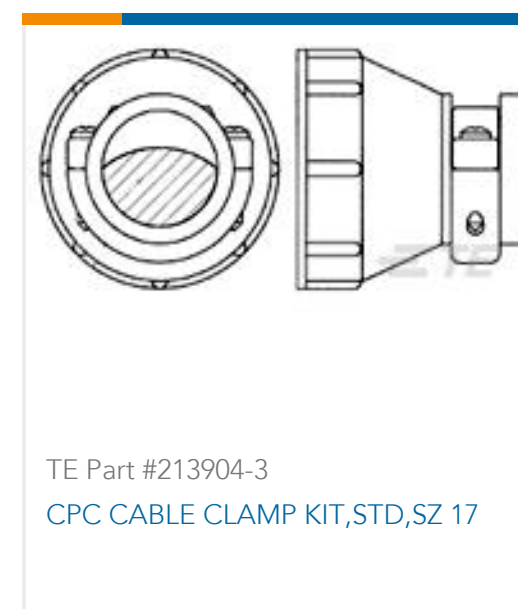
This information is provided based on reasonable inquiry of our suppliers and represents our current actual knowledge based on the information they provided. This information is subject to change. The part numbers that TE has identified as EU RoHS compliant have a maximum concentration of 0.1% by weight in homogenous materials for lead, hexavalent chromium, mercury, PBB, PBDE, DBP, BBP, DEHP, DIBP, and 0.01% for cadmium, or qualify for an exemption to these limits as defined in the Annexes of Directive 2011/65/EU (RoHS2). Finished electrical and electronic equipment products will be CE marked as required by Directive 2011/65/EU. Components may not be CE marked. Additionally, the part numbers that TE has identified as EU ELV compliant have a maximum concentration of 0.1% by weight in homogenous materials for lead, hexavalent chromium, and mercury, and 0.01% for cadmium, or qualify for an exemption to these limits as defined in the Annexes of Directive 2000/53/EC (ELV). Regarding the REACH Regulation, the information TE provides on SVHC in articles for this part number is based on the latest European Chemicals Agency (ECHA) 'Guidance on

requirements for substances in articles' posted at this URL: <https://echa.europa.eu/guidance-documents/guidance-on-reach>

Compatible Parts



Customers Also Bought



Documents

Product Drawings

TACT,RTANG,SMT,SEALED,GUID PIN, T/R

English

CAD Files

3D PDF

3D

Customer View Model

[ENG_CVM_CVM_1571300-3_A.2d_dxf.zip](#)

English

Customer View Model

[ENG_CVM_CVM_1571300-3_A.3d_igs.zip](#)

1571300-3

Tactile Switches, Round Actuator Style, Operating Function Off (On), Stainless Steel, Silver, Dust Proof, Support Bracket



English

Customer View Model

[ENG_CVM_CVM_1571300-3_A.3d_stp.zip](#)

English

By downloading the CAD file I accept and agree to the [Terms and Conditions](#) of use.

Product Environmental Compliance

[TE Material Declaration](#)

English