

Panel feed-through - SACC-DSI-MSB-4CON-L180 SCO



1569618

<https://www.phoenixcontact.com/au/products/1569618>

Please be informed that the data shown in this PDF document is generated from our Online Catalog. Please find the complete data in the user documentation. Our General Terms of Use for Downloads are valid.



Sensor/actuator flush-type plug, 4-pos., M12 SPEEDCON, B-coded, rear/screw mounting with Pg9 thread, with straight solder connection

Panel feed-through - SACC-DSI-MSB-4CON-L180 SCO



1569618

<https://www.phoenixcontact.com/au/products/1569618>

Commercial Data

Item number	1569618
Packing unit	20 pc
Minimum order quantity	20 pc
Note	Made to Order (non-returnable)
Sales Key	ABQCAA
Product Key	ABQCAA
GTIN	4046356340458
Weight per Piece (including packing)	13.168 g
Weight per Piece (excluding packing)	13.073 g
Customs tariff number	85366990
Country of origin	DE

Panel feed-through - SACC-DSI-MSB-4CON-L180 SCO



1569618

<https://www.phoenixcontact.com/au/products/1569618>

Technical Data

Product properties

Product type	Circular connectors (device side)
Number of positions	4
Shielded	no
Coding	B - inverse

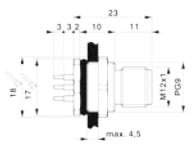
Insulation characteristics

Overvoltage category	II
Degree of pollution	3

Ambient conditions

Degree of protection	IP67 (When plugged in) IP65 (When plugged in)
Degree of protection	IP65/IP67
Ambient temperature (operation)	-25 °C ... 85 °C (Plug / socket)

Dimensions

Dimensional drawing	
Length of the solder pin	6 mm 6 mm

Connector

Header 1

Head design	Plug
Head cable outlet	straight
Head thread type	M12
Head locking type	SPEEDCON
Coding	B-coded

Electrical properties

Contact resistance	$\leq 3 \text{ m}\Omega$
Insulation resistance	$\geq 100 \text{ M}\Omega$
Nominal voltage U_N	60 V
Nominal current I_N	4 A

Material specifications

Flammability rating according to UL 94	V0
Sealing material	NBR

Panel feed-through - SACC-DSI-MSB-4CON-L180 SCO



1569618

<https://www.phoenixcontact.com/au/products/1569618>

Contact material	CuZn
Contact surface material	Au
Contact carrier material	PA 6.6
Cable gland material	Nickel-plated brass

Connection data

Conductor connection

Connection method	Solder pins
-------------------	-------------

Mounting

Mounting type	Rear mounting, Pg9 thread with lock nut
---------------	---

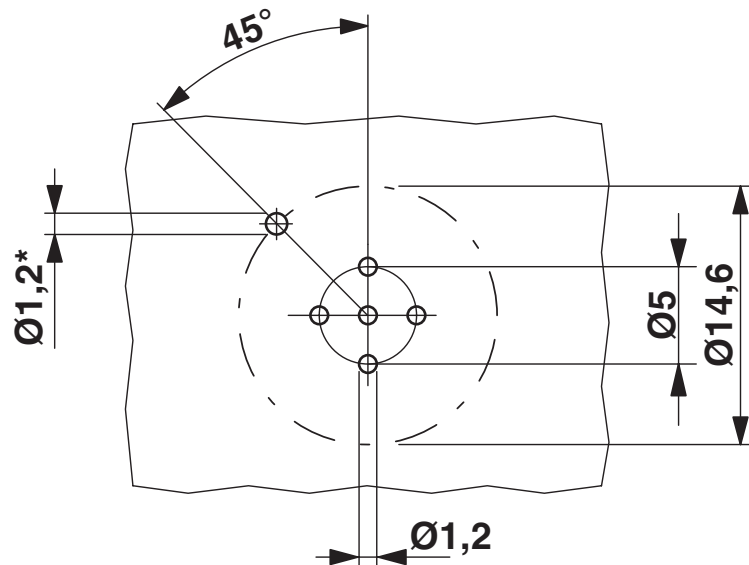
Panel feed-through - SACC-DSI-MSB-4CON-L180 SCO

1569618

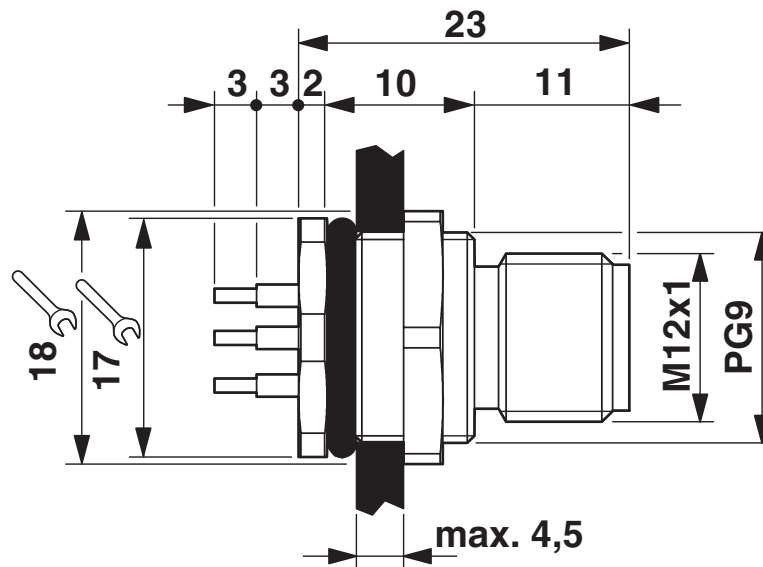
<https://www.phoenixcontact.com/au/products/1569618>

Drawings

Drilling plan/solder pad geometry



Dimensional drawing



M12 flush-type plug

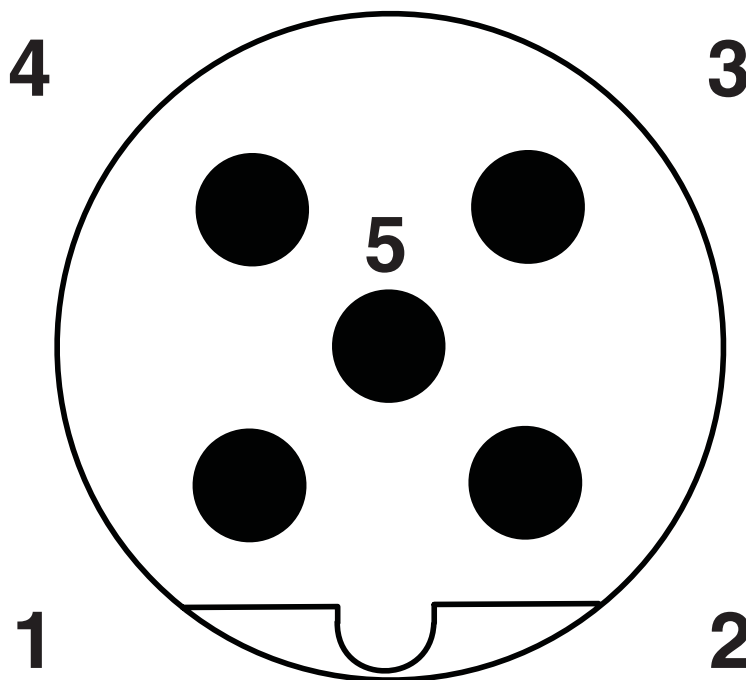
Panel feed-through - SACC-DSI-MSB-4CON-L180 SCO



1569618

<https://www.phoenixcontact.com/au/products/1569618>

Schematic diagram



Pin assignment M12 male connector, 5-pos., B-coded, male side


Panel feed-through - SACC-DSI-MSB-4CON-L180 SCO





1569618

<https://www.phoenixcontact.com/au/products/1569618>

Approvals

 UL Recognized Approval ID: FILE E 118976				
	Nominal Voltage U_N	Nominal Current I_N	Cross Section AWG	Cross Section mm^2
	250 V	4 A	- 22	-

 EAC Approval ID: B.01687				
--	--	--	--	--

 cULus Recognized Approval ID: E221474-20140616				
	Nominal Voltage U_N	Nominal Current I_N	Cross Section AWG	Cross Section mm^2
	250 V	4 A	22 - 20	-

Panel feed-through - SACC-DSI-MSB-4CON-L180 SCO



1569618

<https://www.phoenixcontact.com/au/products/1569618>

Classifications

ECLASS

ECLASS-9.0	27440102
ECLASS-10.0.1	27440102
ECLASS-11.0	27440102

ETIM

ETIM 8.0	EC002635
----------	----------

UNSPSC

UNSPSC 21.0	39121400
-------------	----------

Panel feed-through - SACC-DSI-MSB-4CON-L180 SCO



1569618

<https://www.phoenixcontact.com/au/products/1569618>

Environmental Product Compliance

REACH SVHC	Lead 7439-92-1
China RoHS	Environmentally Friendly Use Period = 50 years
	For information on hazardous substances, refer to the manufacturer's declaration available under "Downloads"

Phoenix Contact 2022 © - all rights reserved
<https://www.phoenixcontact.com>

PHOENIX CONTACT PTY Ltd
Unit 7, 2-8 South Street
Rydalmere NSW 2116
1300 786 411
customerservice@phoenixcontact.com.au