

Device connector, rear mounting - SACCBP-M12FS-8CON-M16/1,0-940



1553378

<https://www.phoenixcontact.com/pc/products/1553378>

Please be informed that the data shown in this PDF document is generated from our Online Catalog. Please find the complete data in the user documentation. Our General Terms of Use for Downloads are valid.



Device connector, rear mounting, 8-position, PUR, water blue RAL 5021, Socket, straight, M12, A-coded, on free cable end, cable length: 1 m, 0.14 mm², Ethernet item no.: 1240031

Commercial Data

Item number	1553378
Packing unit	1 pc
Minimum order quantity	1 pc
Product Key	ABQCED
Catalog Page	Page 183 (PC-2007)
GTIN	4046356162357
Weight per Piece (including packing)	73 g
Weight per Piece (excluding packing)	73 g
Customs tariff number	85444290
Country of origin	DE

Device connector, rear mounting - SACCBP-M12FS-8CON-M16/1,0-940



1553378

<https://www.phoenixcontact.com/pc/products/1553378>

Technical Data

Mounting

Mounting type	Rear mounting, M16 x 1.5 thread with flat nut
---------------	---

Product properties

Product type	Circular connectors (device side)
Number of positions	8
No. of cable outlets	1
Shielded	yes
Coding	A - standard

Insulation characteristics

Overvoltage category	II
Degree of pollution	3

Material specifications

Flammability rating according to UL 94	V0
Sealing material	NBR
Contact material	CuZn
Contact surface material	Ni/Au
Contact carrier material	PA 6.6
Material for screw connection	Nickel-plated brass

Electrical properties

Contact resistance	$\leq 3 \text{ m}\Omega$
Insulation resistance	$\geq 100 \text{ M}\Omega$
Nominal voltage U_N	48 V AC
	60 V DC
Nominal current I_N	2 A

Connector

Connection 1

Head design	Socket
Head cable outlet	straight
Head thread type	M12
Coding	A-coded

Connection 2

Head design	free cable end
-------------	----------------

Cable / line


Cable length	1 m
--------------	-----

Device connector, rear mounting - SACCBP-M12FS-8CON-M16/1,0-940

1553378

<https://www.phoenixcontact.com/pc/products/1553378>

Ethernet flexible CAT5, 4-pair [94B]

Dimensional drawing	
Cable weight	47 kg/km
UL AWM Style	20963 (80°C/30 V)
Number of positions	8
Shielded	yes
Cable type	Ethernet flexible CAT5, 4-pair [94B]
Conductor structure	4x2xAWG26/7; SF/UTP
Signal runtime	5.3 ns/m
Conductor structure signal line	7x 0.16 mm
AWG signal line	26
Conductor cross section	4x 2x 0.14 mm ²
Wire diameter incl. insulation	0.96 mm
External cable diameter	6.4 mm ±0.2 mm
Outer sheath, material	PUR
External sheath, color	water blue RAL 5021
Conductor material	Bare Cu litz wires
Material wire insulation	Foamed PE
Single wire, color	white/blue-blue, white/orange-orange, white/green-green, white/brown-brown
Thickness, outer sheath	1.05 mm
Twisted pairs	2 cores to the pair
Overall twist	4 pairs for core
Optical shield covering	70 %
Insulation resistance	≥ 5 GΩ*km
Coupling resistance	≤ 100.00 mΩ/m (at 10 MHz)
Loop resistance	≤ 290.00 Ω/km
Wave impedance	100 Ω ±5 Ω (at 100 MHz)
Cable capacity	48 nF/km (at 1 kHz)
Nominal voltage, cable	≤ 100 V
Test voltage Core/Core	700 V (50 Hz, 1 min.)
Test voltage Core/Shield	700 V (50 Hz, 1 min.)
Minimum bending radius, fixed installation	4 x D
Minimum bending radius, flexible installation	8 x D
Tensile strength	≤ 100 N

Device connector, rear mounting - SACCBP-M12FS-8CON-M16/1,0-940



1553378

<https://www.phoenixcontact.com/pc/products/1553378>

Near end crosstalk attenuation (NEXT)	71.3 dB (with 1 MHz)
	62.3 dB (at 4 MHz)
	56.3 dB (at 10 MHz)
	53.2 dB (at 16 MHz)
	51.8 dB (at 20 MHz)
	48.9 dB (at 31.25 MHz)
	44.4 dB (at 62.5 MHz)
	41.3 dB (at 100 MHz)
Power-summated near end crosstalk attenuation (PSNEXT)	62.3 dB (with 1 MHz)
	53.3 dB (at 4 MHz)
	47.3 dB (at 10 MHz)
	44.2 dB (at 16 MHz)
	42.8 dB (at 20 MHz)
	39.9 dB (at 31.25 MHz)
	35.4 dB (at 62.5 MHz)
	32.3 dB (at 100 MHz)
Return loss (RL)	23 dB (at 4 MHz)
	24.1 dB (at 8 MHz)
	25 dB (at 10 MHz)
	25 dB (at 16 MHz)
	25 dB (at 20 MHz)
	23.6 dB (at 31.25 MHz)
	21.5 dB (at 62.5 MHz)
	20.1 dB (at 100 MHz)
Shield attenuation	3.2 dB (with 1 MHz)
	6 dB (at 4 MHz)
	9.5 dB (at 10 MHz)
	12.1 dB (at 16 MHz)
	13.6 dB (at 20 MHz)
	17.1 dB (at 31.25 MHz)
	24.8 dB (at 62.5 MHz)
	32 dB (at 100 MHz)
Halogen-free	according to IEC 60754-1
Flame resistance	according to IEC 60332-1-2
Resistance to oil	in accordance with EN 60811-2-1
Ambient temperature (operation)	-40 °C ... 80 °C (cable, fixed installation)
	-20 °C ... 80 °C (Cable, flexible installation)
Ambient temperature (installation)	-20 °C ... 80 °C

Ambient conditions

Degree of protection	IP67 (When plugged in)
	IP65 (When plugged in)

Device connector, rear mounting - SACCBP-M12FS-8CON-M16/1,0-940



1553378

<https://www.phoenixcontact.com/pc/products/1553378>

Degree of protection	IP65/IP67
Ambient temperature (operation)	-25 °C ... 90 °C (Plug / socket)
	-40 °C ... 70 °C (cable, fixed installation)
	-10 °C ... 50 °C (Cable, flexible installation)

Device connector, rear mounting - SACCBP-M12FS-8CON-M16/1,0-940

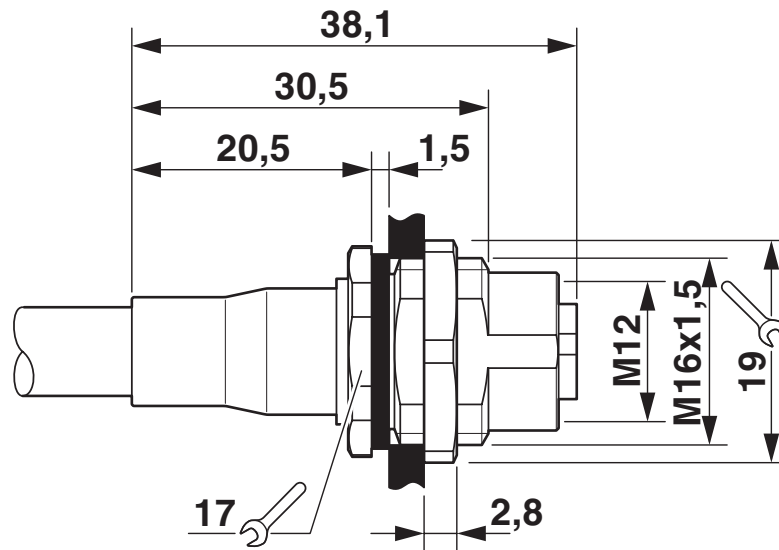


1553378

<https://www.phoenixcontact.com/pc/products/1553378>

Drawings

Dimensional drawing



M12 flush-type connector

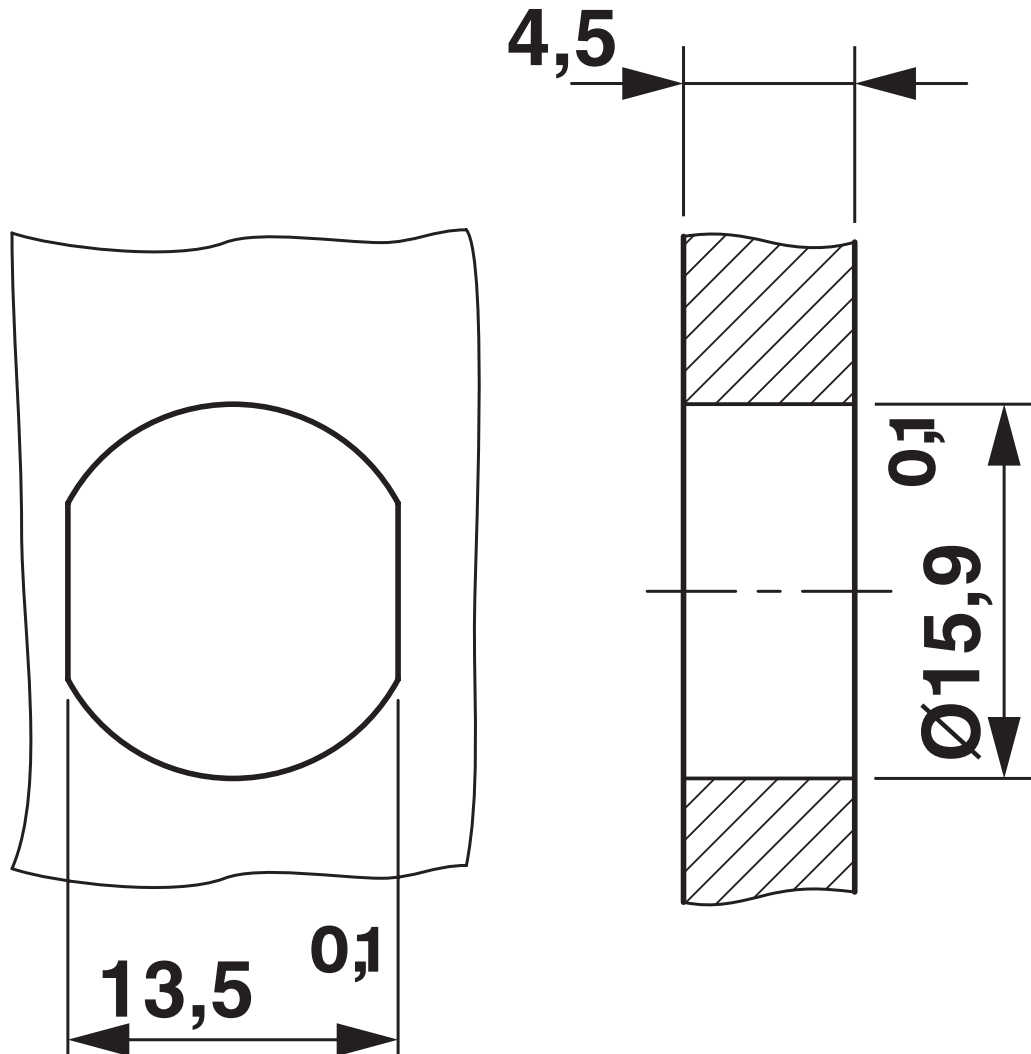
Device connector, rear mounting - SACCBP-M12FS-8CON-M16/1,0-940



1553378

<https://www.phoenixcontact.com/pc/products/1553378>

Dimensional drawing



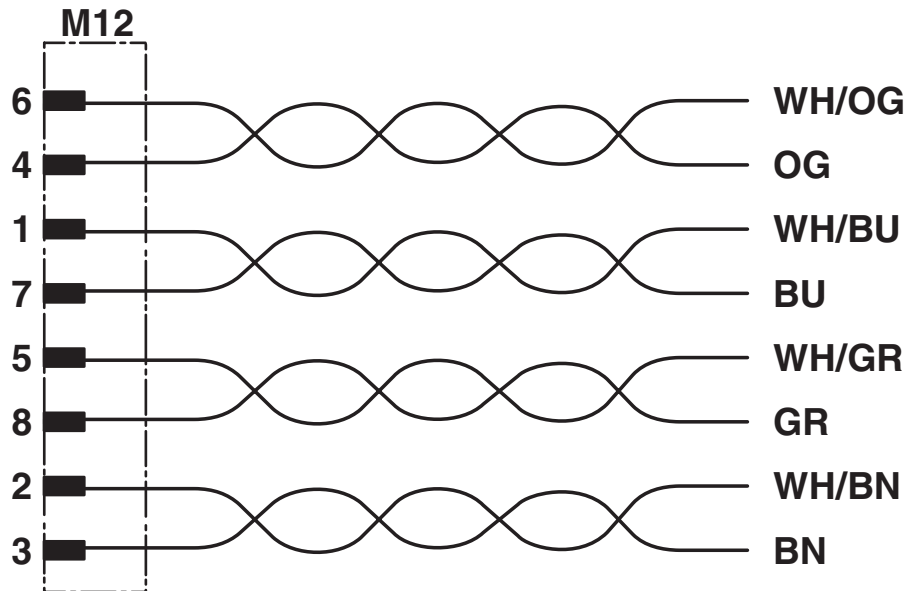
Housing cutout for M16 fastening thread, mounting panel with feed-through hole (alternatively with surface as protection against rotation)

Device connector, rear mounting - SACCBP-M12FS-8CON-M16/1,0-940

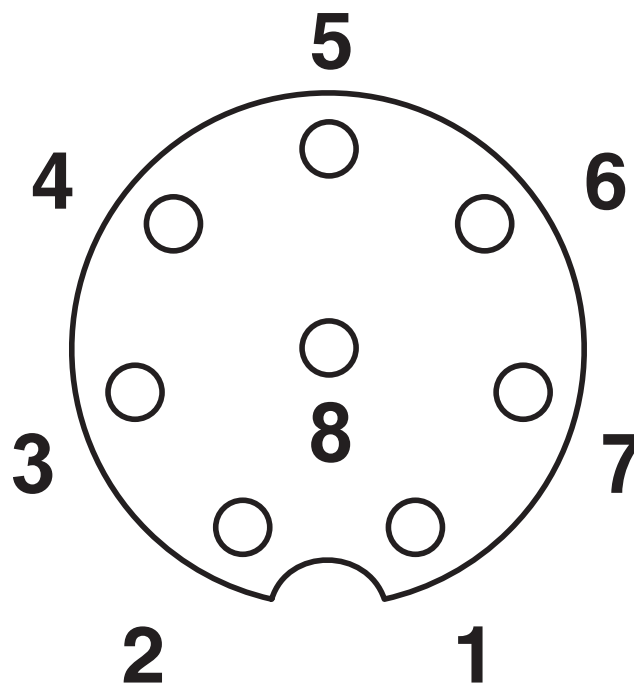
1553378

<https://www.phoenixcontact.com/pc/products/1553378>

Circuit diagram



Schematic diagram



Pin assignment M12 socket, 8-pos., A-coded, view female side

Device connector, rear mounting - SACCBP-M12FS-8CON-M16/1,0-940



1553378

<https://www.phoenixcontact.com/pc/products/1553378>

Approvals



EAC

Approval ID: B.01687



UL Recognized

Approval ID: FILE E 118976

	Nominal Voltage U_N	Nominal Current I_N	Cross Section AWG	Cross Section mm^2
	30 V	1.5 A	- 26	-



cUL Recognized

Approval ID: E221474-20220908

	Nominal Voltage U_N	Nominal Current I_N	Cross Section AWG	Cross Section mm^2
	30 V	1.5 A	-	-



UL Recognized

Approval ID: E221474-20220908

	Nominal Voltage U_N	Nominal Current I_N	Cross Section AWG	Cross Section mm^2
	30 V	2 A	-	-

Device connector, rear mounting - SACCBP-M12FS-8CON-M16/1,0-940



1553378

<https://www.phoenixcontact.com/pc/products/1553378>

Classifications

ECLASS

ECLASS-9.0	27440102
ECLASS-10.0.1	27440102
ECLASS-11.0	27440102

ETIM

ETIM 8.0	EC002635
----------	----------

UNSPSC

UNSPSC 21.0	39121400
-------------	----------

Device connector, rear mounting - SACCBP-M12FS-8CON-M16/1,0-940



1553378

<https://www.phoenixcontact.com/pc/products/1553378>

Environmental Product Compliance

REACH SVHC	Lead 7439-92-1
China RoHS	Environmentally Friendly Use Period = 50 years
	For information on hazardous substances, refer to the manufacturer's declaration available under "Downloads"

Phoenix Contact 2022 © - all rights reserved
<https://www.phoenixcontact.com>

PHOENIX CONTACT GmbH & Co. KG
Flachmarktstraße 8
D-32825 Blomberg
+49 (0) 5235-3 00
info@phoenixcontact.com