

154740-1 ✓ ACTIVE

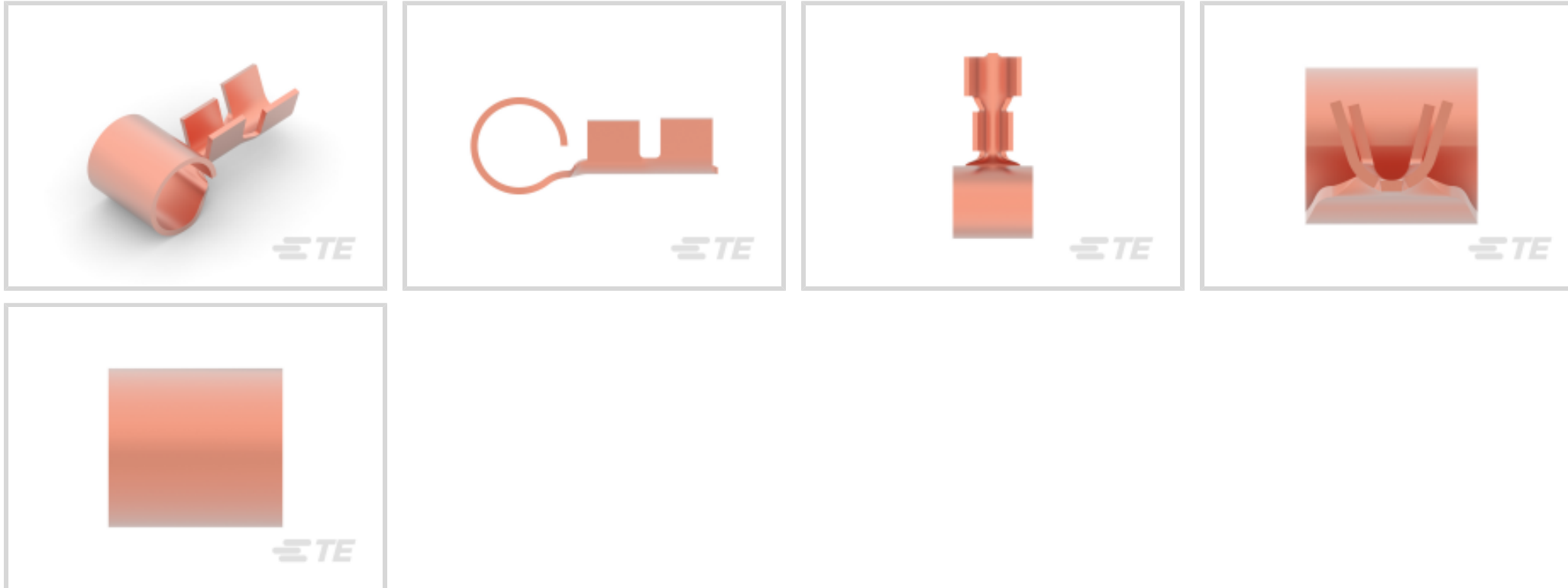
TE Internal #: 154740-1

Crimp Wire Pins, Tabs & Ferrules, Receptacle, Mating Pin Diameter
4.44 mm [.175 in], 20 – 16 AWG Wire Size, .5 – 1.3 mm² Wire Size

[View on TE.com >](#)



Terminals & Splices > Crimp Wire Pins, Tabs & Ferrules



Crimp Wire Terminal Type: **Receptacle**

Mating Pin Diameter: **4.44 mm [.175 in]**

Compatible Insulation Diameter Range: **1.5 – 2.1 mm, 2.1 mm [.059 – .083 in, .083 in]**

Wire Size: **.5 – 1.3 mm²**

Features

Product Type Features

Compatible With Discrete Wire Type **Stranded**

Configuration Features

Compatible With Wire & Cable Type **Discrete Wire**

Contact Features

Crimp Wire Terminal Type **Receptacle**

Mating Pin Diameter **4.44 mm [.175 in]**

Barrel Type **Open**

Terminal Plating Material **Unplated**

Terminal Orientation **Right Angle**

Mechanical Attachment

Wire Insulation Support **With**

Dimensions

Compatible Insulation Diameter Range **1.5 – 2.1 mm, 2.1 mm [.059 – .083 in][.083 in]**

Wire Size **1021 – 2582 CMA**

Barrel Inside Diameter **1.27 mm, 2.54 mm [.05 in][.1 in]**



Terminal Material Thickness	.41 mm[.016 in]
-----------------------------	-----------------

Overall Product Length	9.91 mm[.39 in]
------------------------	-----------------

Usage Conditions

Insulation Option	Uninsulated
-------------------	-------------

Packaging Features

Packaging Quantity	6000
--------------------	------

Packaging Method	Reel
------------------	------

Product Compliance

[For compliance documentation, visit the product page on TE.com>](#)

EU RoHS Directive 2011/65/EU	Compliant
------------------------------	-----------

EU ELV Directive 2000/53/EC	Compliant
-----------------------------	-----------

China RoHS 2 Directive MIIT Order No 32, 2016	No Restricted Materials Above Threshold
---	---

EU REACH Regulation (EC) No. 1907/2006	Current ECHA Candidate List: JUNE 2024 (241) Candidate List Declared Against: JAN 2024 (240) Does not contain REACH SVHC
--	--

Halogen Content	Low Halogen - Br, Cl, F, I < 900 ppm per homogenous material. Also BFR/CFR/PVC Free
-----------------	---

Solder Process Capability	Not applicable for solder process capability
---------------------------	--

Product Compliance Disclaimer

This information is provided based on reasonable inquiry of our suppliers and represents our current actual knowledge based on the information they provided. This information is subject to change. The part numbers that TE has identified as EU RoHS compliant have a maximum concentration of 0.1% by weight in homogenous materials for lead, hexavalent chromium, mercury, PBB, PBDE, DBP, BBP, DEHP, DIBP, and 0.01% for cadmium, or qualify for an exemption to these limits as defined in the Annexes of Directive 2011/65/EU (RoHS2). Finished electrical and electronic equipment products will be CE marked as required by Directive 2011/65/EU. Components may not be CE marked. Additionally, the part numbers that TE has identified as EU ELV compliant have a maximum concentration of 0.1% by weight in homogenous materials for lead, hexavalent chromium, and mercury, and 0.01% for cadmium, or qualify for an exemption to these limits as defined in the Annexes of Directive 2000/53/EC (ELV). Regarding the REACH Regulation, the information TE provides on SVHC in articles for this part number is based on the latest European Chemicals Agency (ECHA) 'Guidance on requirements for substances in articles' posted at this URL: <https://echa.europa.eu/guidance-documents/guidance-on-reach>

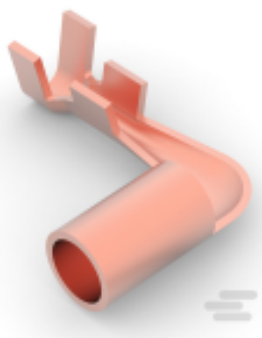
Compatible Parts



TE Part # 42745-2
PIN 090 FLAG RECEPTACLE 20-14
AWG TPPHBZ



TE Part # 60733-1
PIN .090 RECEPTACLE TPPHBZ



TE Part # 150656-1
SHUR PLUG .156 DIA REC 20-16 AWG
PB



TE Part # 344469-2
ANGLE PIN RECEPTACLE 20-16 AWG
PHBRZ



TE Part # 60376-1
PIN 090 RECEPTACLE 20-14 AWG
TPPHBZ



TE Part # 154740-2
PIN .175 DIA REC 20-16AWG PB



TE Part # 2266672-2
OC-AT-S-FA-090F1100-001-0474



TE Part # 7-2266672-7
OC-090F1100-CRIMPTOOLINGKIT

Customers Also Bought



TE Part #776427-2
AMPSEAL 16 Housings



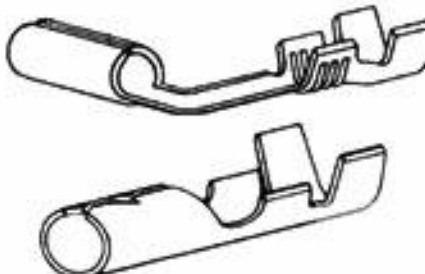
TE Part #DT04-2P-E003
REC, 2P, GRY, N, CAP



TE Part #W2P
WEDGE LOCK, 2P, REC, GRN, DT



TE Part #42142-1
SHUR PLUG TERMINAL 18-14 AWG
TPBR



TE Part #60017-3
RIGHT ANGLE SHUR PLUG REC 20-16
0.41 BR



TE Part #42531-3
180 SHPL REC 20-16 016PHBZ

Documents

[CAD Files](#)

[3D PDF](#)

[3D](#)

[Customer View Model](#)

[ENG_CVM_CVM_154740-1_C_c-154740-1-c.2d_dxf.zip](#)

English

[Customer View Model](#)

[ENG_CVM_CVM_154740-1_C_c-154740-1-c.3d_igs.zip](#)

English

154740-1

Crimp Wire Pins, Tabs & Ferrules, Receptacle, Mating Pin Diameter 4.44 mm [.175 in],
20 – 16 AWG Wire Size, .5 – 1.3 mm² Wire Size



Customer View Model

[ENG_CVM_CVM_154740-1_C_c-154740-1-c.3d_stp.zip](#)

English

By downloading the CAD file I accept and agree to the [Terms and Conditions](#) of use.