



NG Power Terminals and Connectors, NG1

TE Internal #: 1544968-1

NG Power Terminals and Connectors, Automotive Terminals, Tab,
Mating Tab Width 8 mm [.315 in], Tab Thickness .039 in [1 mm], 10 –
9 AWG Wire Size

[View on TE.com >](#)

Terminals & Splices > Automotive Terminals



Terminal Type: **Tab**

Mating Tab Width: **8 mm [.315 in]**

Mating Tab Thickness: **1 mm [.039 in]**

Terminal Transmits: **41 – 100 A (High Power)**

Wire Size: **10 – 9 AWG**

Features

Product Type Features

Sealable	Yes
Primary Locking Feature	Clean Body

Body Features

Terminal Seal Type	Single Wire Seal (SWS)
--------------------	------------------------

Contact Features

Typical Current Rating	49 A
Crimp Type	F-Crimp
Terminal Type	Tab
Mating Tab Width	8 mm [.315 in]
Mating Tab Thickness	1 mm [.039 in]
Interface Plating	Tin (Sn)

Termination Features

Termination Method to Wire & Cable	Crimp
Product Terminates To	Wire

Dimensions

Wire Size	5 – 6 mm ²
Wire Size Search	9 AWG, 10 AWG



Wire Insulation Diameter	3.7 – 4.3 mm
--------------------------	--------------

Usage Conditions

Insulation Option	Uninsulated
Operating Temperature (Max)	80 °C, 85 °C, 90 °C, 100 °C, 105 °C, 110 °C, 120 °C, 125 °C, 130 °C, 140 °C, 145 °C, 150 °C [176 °F][185 °F][194 °F][212 °F][221 °F][230 °F][248 °F][257 °F][266 °F][284 °F][293 °F][302 °F]
Operating Temperature Range	-40 – 150 °C[-40 – 302 °F]

Operation/Application

Compatible With Wire Base Material	Copper
------------------------------------	--------

Packaging Features

Packaging Method	Reel
Packaging Quantity	1100

Other

Terminal Transmits	41 – 100 A (High Power)
--------------------	-------------------------

Product Compliance

[For compliance documentation, visit the product page on TE.com>](#)

EU RoHS Directive 2011/65/EU	Compliant
EU ELV Directive 2000/53/EC	Compliant
China RoHS 2 Directive MIIT Order No 32, 2016	No Restricted Materials Above Threshold
EU REACH Regulation (EC) No. 1907/2006	Current ECHA Candidate List: JAN 2022 (223) Candidate List Declared Against: JAN 2022 (223) Does not contain REACH SVHC
Halogen Content	Low Halogen - Br, Cl, F, I < 900 ppm per homogenous material. Also BFR/CFR/PVC Free
Solder Process Capability	Not applicable for solder process capability

Product Compliance Disclaimer

This information is provided based on reasonable inquiry of our suppliers and represents our current actual knowledge based on the information they provided. This information is subject to change. The part numbers that TE has identified as EU RoHS compliant have a maximum concentration of 0.1% by weight in homogenous materials for lead, hexavalent chromium, mercury, PBB, PBDE, DBP, BBP, DEHP, DIBP, and 0.01% for cadmium, or qualify for an exemption to these limits as defined in the Annexes of Directive 2011/65/EU (RoHS2). Finished electrical and electronic equipment products will be CE marked as required by Directive 2011/65/EU. Components may not be CE marked. Additionally, the part numbers that TE has identified as EU ELV compliant have a maximum concentration of 0.1% by weight in homogenous

materials for lead, hexavalent chromium, and mercury, and 0.01% for cadmium, or qualify for an exemption to these limits as defined in the Annexes of Directive 2000/53/EC (ELV). Regarding the REACH Regulation, the information TE provides on SVHC in articles for this part number is based on the latest European Chemicals Agency (ECHA) 'Guidance on requirements for substances in articles' posted at this URL: <https://echa.europa.eu/guidance-documents/guidance-on-reach>

Compatible Parts



TE Part # 1544334-1
PL 2V 8MM NG1 MONT



TE Part # 1544980-1
TAB HOUSING, 8MM NG1 PLUS, 2 WAY



TE Part # 1544965-1
8MM NG1+ TERMINAL



TE Part # 1544334-2
PL 2V 8MM NG1 MONT



TE Part # 1544334-3
PL 2V 8MM NG1 MONT



TE Part # 1544980-2
TAB HOUSING, 8MM NG1 PLUS, 2 WAY



TE Part # 1544980-3
TAB HOUSING, 8MM NG1 PLUS, 2 WAY



TE Part # 1544980-4
TAB HOUSING, 8MM NG1 PLUS, 2 WAY



TE Part # 2-2266583-2
OCEAN_2_0_APPLICATOR-S-165F244OV



TE Part # 2266583-2
OCEAN_2_0_APPLICATOR-S-165F244OV




TE Part # 7-2266583-2
OCEAN_2_0_APPLICATOR-S-165F244OV




TE Part # 7-2266583-7
OCEAN_2_0_SPARE_PART_KIT-165F244OV


Also in the Series | NG Power Terminals and Connectors




Automotive Connector Caps & Covers (2)



Automotive Housings(56)



Automotive Seals & Cavity Plugs(7)



Automotive Terminals(26)



Insertion & Extraction Tools(13)

Also in the Series | NG1



Automotive Connector Caps & Covers (2)



Automotive Housings(47)



Automotive Seals & Cavity Plugs(8)



Automotive Terminals(18)



Insertion & Extraction Tools(12)

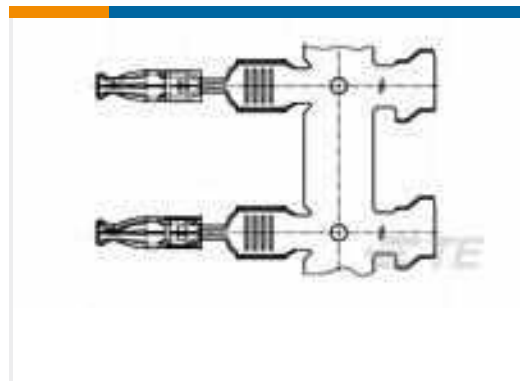
Customers Also Bought



TE Part #1379219-1
MQS, CONNECTOR HOUSING



TE Part #1-962918-1
TAB 5.8x0.8 CONTACT CS SWS Sn



TE Part #1-1355844-1
MCP 2,8 BUSBAR



TE Part #316833-2
040 SEALED REC CONT S FORMING



TE Part #144969-2
MQS0,63 Au rec LL unseal. 0,2-0,6



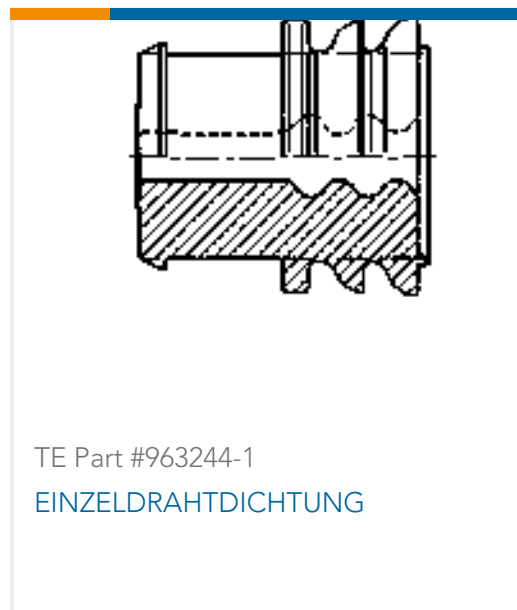
TE Part #2-2308295-1
1POS,PCON12,REC HSG,90 DEG, UNSLD,COD B



TE Part #185879-2
26W MQS COVER ASSY BLUE



TE Part #1544967-1
TAB, 8MM NG1 PLUS



Documents

Product Drawings

TAB, 8MM NG1 PLUS

English

CAD Files

Customer View Model

[ENG_CVM_CVM_1544968-1_A.2d_dxf.zip](#)

English

3D PDF

3D

Customer View Model

[ENG_CVM_CVM_1544968-1_A.3d_igs.zip](#)

English

Customer View Model

[ENG_CVM_CVM_1544968-1_A.3d_stp.zip](#)

English

By downloading the CAD file I accept and agree to the [Terms and Conditions](#) of use.

Product Specifications

Application Specification

English