

1544147-1 ✓ ACTIVE

AMP | NG Power Terminals and Connectors, NG1

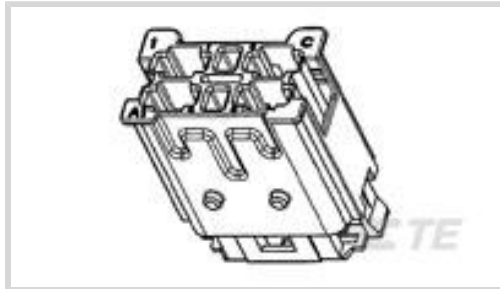
TE Internal #: 1544147-1

Housing for Female Terminals, Wire-to-Wire, 6 Position, Sealable, Black, Wire & Cable, Signal, -40 – 176 °F [-40 – 85 °C], Key Neutral, Hybrid

[View on TE.com >](#)



Connectors > Automotive Connectors > Automotive Housings



Connector System: **Wire-to-Wire**

Number of Positions: **6**

Connector & Housing Type: **Housing for Female Terminals**

Sealable: **Yes**

Mating Tab Width: **.64 mm, 1.5 mm [.025 in, .06 in]**

Features

Product Type Features

Mixed & Hybrid Connector	No
Connector System	Wire-to-Wire
Connector & Housing Type	Housing for Female Terminals
Sealable	Yes
Connector & Contact Terminates To	Wire & Cable
Primary Locking Feature	Integrated in Housing

Configuration Features

Number of Positions	6
Number of Rows	2

Body Features

Cable Exit Angle	180°
Primary Product Color	Black
Connector & Keying Code	Neutral

Contact Features

Contact Size	6.35mm
Contact Type	Receptacle
Mating Tab Width	.64 mm, 1.5 mm [.025 in][.06 in]

Mechanical Attachment



Terminal Position Assurance	Yes
Strain Relief	Without

Housing Features

Housing Material	PBT GF
------------------	--------

Dimensions

Connector Height	26.1 mm[1.028 in]
Product Width	17.7 mm[.697 in]
Product Length	27 mm[1.063 in]

Usage Conditions

Operating Temperature (Max)	70 °C, 75 °C, 80 °C, 85 °C[158 °F][167 °F] [176 °F][185 °F]
Operating Temperature Range	-40 – 85 °C[-40 – 176 °F]

Operation/Application

Circuit Application	Signal
---------------------	--------

Packaging Features

Packaging Quantity	1785
Packaging Method	Box

Other

Serviceable	Yes
Connector Position Assurance Capable	No

Product Compliance

[For compliance documentation, visit the product page on TE.com>](#)

EU RoHS Directive 2011/65/EU	Compliant
EU ELV Directive 2000/53/EC	Compliant
China RoHS 2 Directive MIIT Order No 32, 2016	No Restricted Materials Above Threshold
EU REACH Regulation (EC) No. 1907/2006	Current ECHA Candidate List: JUNE 2024 (241) Candidate List Declared Against: JAN 2024 (240) Does not contain REACH SVHC
Halogen Content	Not Low Halogen - contains Br or Cl > 900 ppm.
Solder Process Capability	Not applicable for solder process capability

Product Compliance Disclaimer

This information is provided based on reasonable inquiry of our suppliers and represents our current actual knowledge based on the information they provided. This information is subject to change. The part numbers that TE has identified as EU RoHS compliant have a maximum concentration of 0.1% by weight in homogenous materials for lead, hexavalent chromium, mercury, PBB, PBDE, DBP, BBP, DEHP, DIBP, and 0.01% for cadmium, or qualify for an exemption to these limits as defined in the Annexes of Directive 2011/65/EU (RoHS2). Finished electrical and electronic equipment products will be CE marked as required by Directive 2011/65/EU. Components may not be CE marked. Additionally, the part numbers that TE has identified as EU ELV compliant have a maximum concentration of 0.1% by weight in homogenous materials for lead, hexavalent chromium, and mercury, and 0.01% for cadmium, or qualify for an exemption to these limits as defined in the Annexes of Directive 2000/53/EC (ELV). Regarding the REACH Regulation, the information TE provides on SVHC in articles for this part number is based on the latest European Chemicals Agency (ECHA) 'Guidance on requirements for substances in articles' posted at this URL: <https://echa.europa.eu/guidance-documents/guidance-on-reach>

Compatible Parts



TE Part # 1544148-1
PORTE LANGUETTE ET




TE Part # 1544620-1
ETRIER VERROUILLAGE ROUGE




TE Part # 1544133-1
CLIP 6,35 NG1

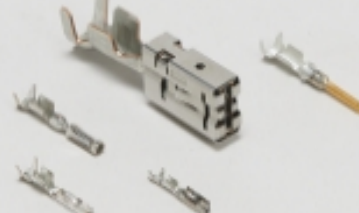
Also in the Series | NG Power Terminals and Connectors




Automotive Connector Caps & Covers (2)




Automotive Housings(61)




Automotive Terminals(28)



Connector Seals & Cavity Plugs(9)



Insertion & Extraction Tools(13)

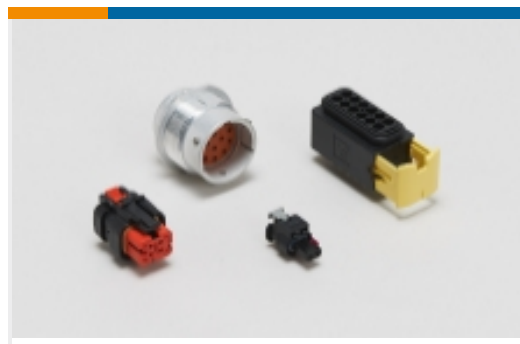


Other Automotive Connector Accessories(1)

Also in the Series | NG1



Automotive Connector Caps & Covers (2)



Automotive Housings(41)



Automotive Terminals(30)

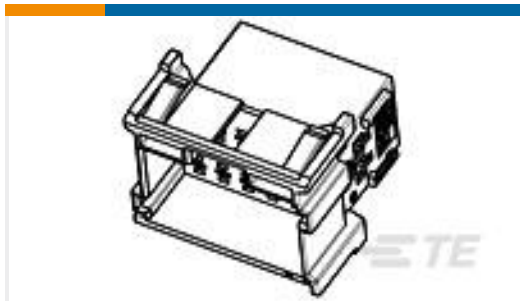


Connector Seals & Cavity Plugs(10)



Insertion & Extraction Tools(12)

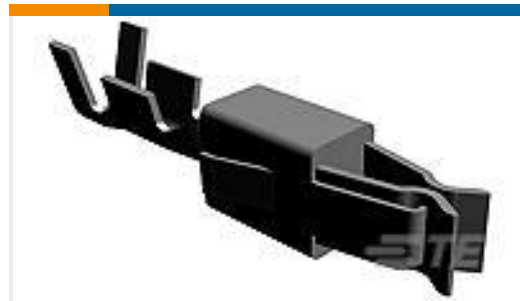
Customers Also Bought



TE Part #1-965641-3
TAB HOUSING 2,8 6P



TE Part #1379671-2
TH/.025 CONNECTOR SYSTEM,
HOUSING



TE Part #1241978-2
JPT A REC 2.8 Contact SRC Sn



TE Part #1544620-1
ETRIER VERROUILLAGE ROUGE



TE Part #1544133-1
CLIP 6,35 NG1



TE Part #1801620-2
2 MICRORELAYS HOLDER



TE Part #1544458-1
BOITIER PC 8 MM 2

Documents

Product Drawings

PORTE CLIPS MONTE

English

CAD Files

3D PDF

English

Customer View Model

ENG_CVM_1544147-1_C8.2d_dxf.zip



English

Customer View Model

[ENG_CVM_1544147-1_C8.3d_igs.zip](#)

English

Customer View Model

[ENG_CVM_1544147-1_C8.3d_stp.zip](#)

English

By downloading the CAD file I accept and agree to the [Terms and Conditions](#) of use.

Product Specifications

[Product Specification](#)

English

Instruction Sheets

[Instruction Sheet \(non U.S.\)](#)

English