



Extract from the online catalog

# SACC-MS-5CON-PG11-DUO-M SCO

Order No.: 1543016



<http://eshop.phoenixcontact.de/phoenix/treeViewClick.do?UID=1543016>

Sensor/actuator connector, male, straight, 5-pos., M12 SPEEDCON, A-coded, screw connection, metal knurl, cable screw connection Pg11-DUO

| Commercial data          |                   |
|--------------------------|-------------------|
| EAN                      | 4046356097628     |
| Pack                     | 1 pcs.            |
| Customs tariff           | 85444290          |
| Weight/Piece             | 0.0297 KG         |
| Catalog page information | Page 46 (PC-2009) |

#### Product notes

WEEE/RoHS-compliant since: 05/01/2006



<http://www.download.phoenixcontact.com>  
Please note that the data given here has been taken from the online catalog. For comprehensive information and data, please refer to the user documentation. The General Terms and Conditions of Use apply to Internet downloads.

## Technical data

| General data          |                          |
|-----------------------|--------------------------|
| Nominal current $I_N$ | 4 A                      |
| Nominal voltage $U_N$ | 60 V                     |
| Number of positions   | 5                        |
| Volume resistance     | $\leq 8 \text{ m}\Omega$ |

SACC-MS-5CON-PG11-DUO-M SCO Order No.: 1543016  
http://eshop.phoenixcontact.de/phoenix/treeViewClick.do?UID=1543016

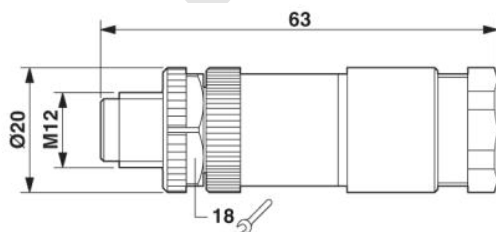
|                                 |                  |
|---------------------------------|------------------|
| Insulation resistance           | ≥ 100 MΩ         |
| Ambient temperature (operation) | -40 °C ... 85 °C |
| Pg screw connection             | Pg11             |

#### General characteristics

|  |                                |
|--|--------------------------------|
| Coding                                 | A - standard                   |
| Inflammability class acc. to UL 94     | V0                             |
| Surge voltage category                 | II                             |
| Pollution degree                       | 3                              |
| Degree of protection                   | IP67                           |
| Contact material                       | CuZn                           |
| Contact surface material               | CuSnZn                         |
| Contact carrier material               | PA 66                          |
| Material of grip body                  | PBT                            |
| Material, knurls                       | Zinc die-cast, (nickel-plated) |
| Sealing material                       | NBR                            |
| Type of connection                     | Screw connection               |
| Conductor cross section stranded min.  | 0.25 mm <sup>2</sup>           |
| Conductor cross section stranded max.  | 0.75 mm <sup>2</sup>           |
| Conductor cross section AWG/kcmil min. | 24                             |
| Conductor cross section AWG/kcmil max  | 18                             |
| Min. diameter                          | 3 mm                           |
| Max. diameter                          | 5.2 mm                         |
| Status display                         | No                             |

#### Drawings

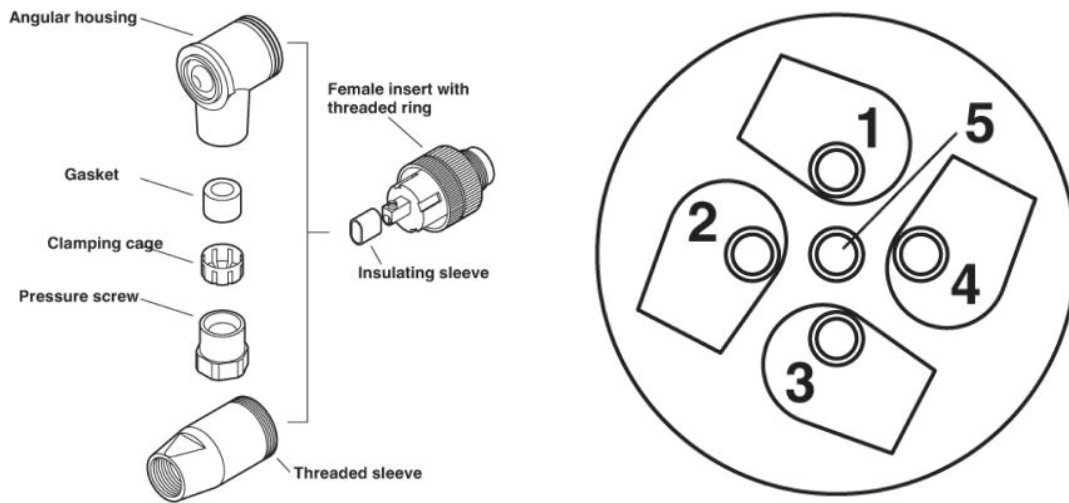
Dimensioned drawing



M12 x 1 male connector, straight

SACC-MS-5CON-PG11-DUO-M SCO Order No.: 1543016  
<http://eshop.phoenixcontact.de/phoenix/treeViewClick.do?UID=1543016>

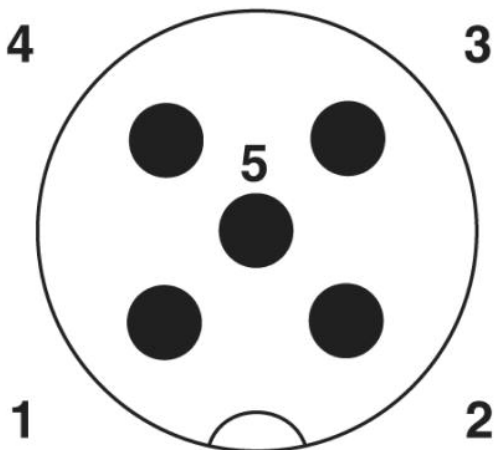
Schematic diagram



Male/Female M12

Cable connection side M12 (screw connection)

Pin assignment M12 male connector, 5-pos., A-coded, male side



SACC-MS-5CON-PG11-DUO-M SCO Order No.: 1543016  
<http://eshop.phoenixcontact.de/phoenix/treeViewClick.do?UID=1543016>

---

**Address**

PHOENIX CONTACT GmbH & Co. KG  
Flachsmarktstr. 8  
32825 Blomberg, Germany  
Phone +49 5235 3 00  
Fax +49 5235 3 41200  
<http://www.phoenixcontact.de>



© 2009 Phoenix Contact  
Technical modifications reserved;

onlinecomponents.com