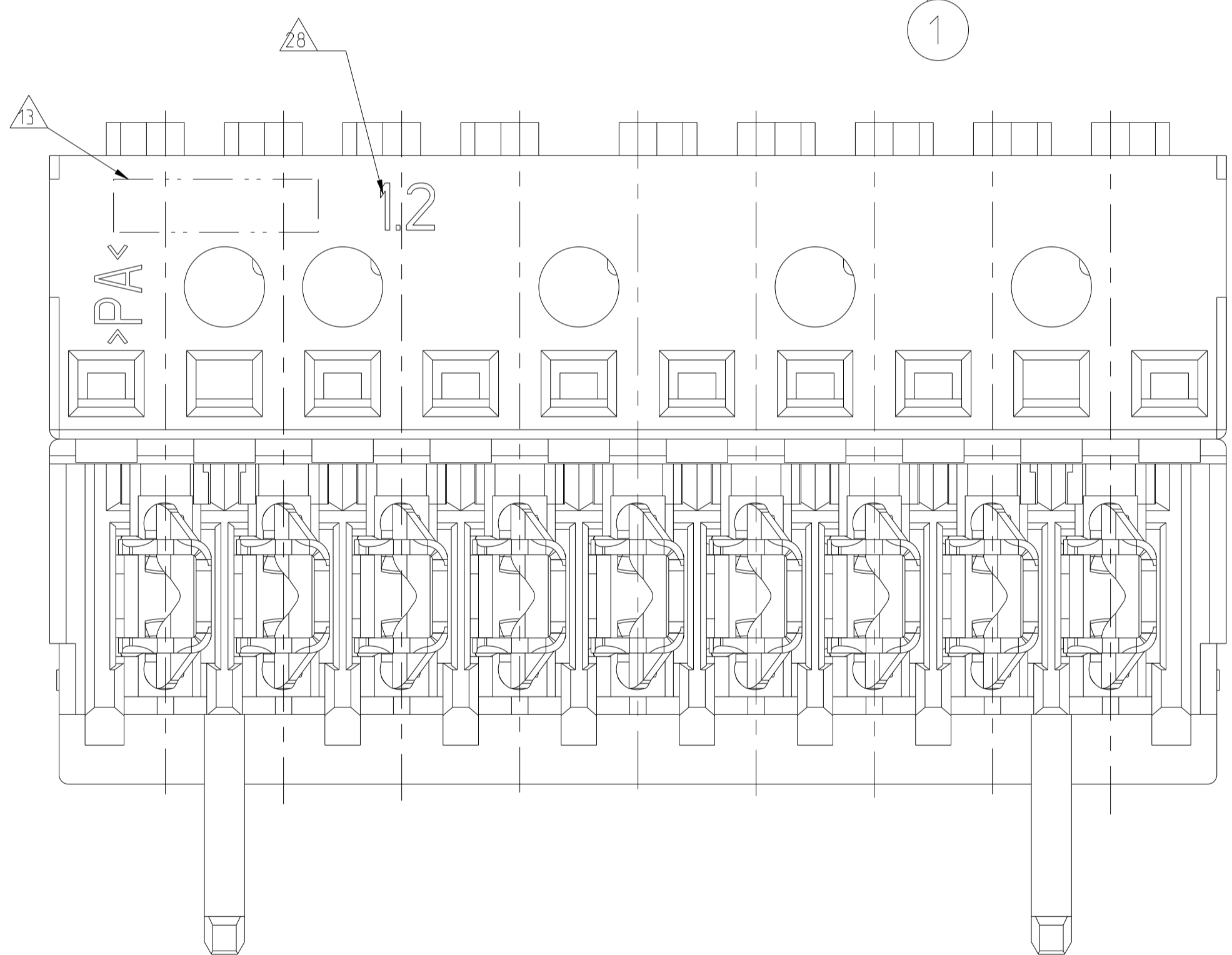
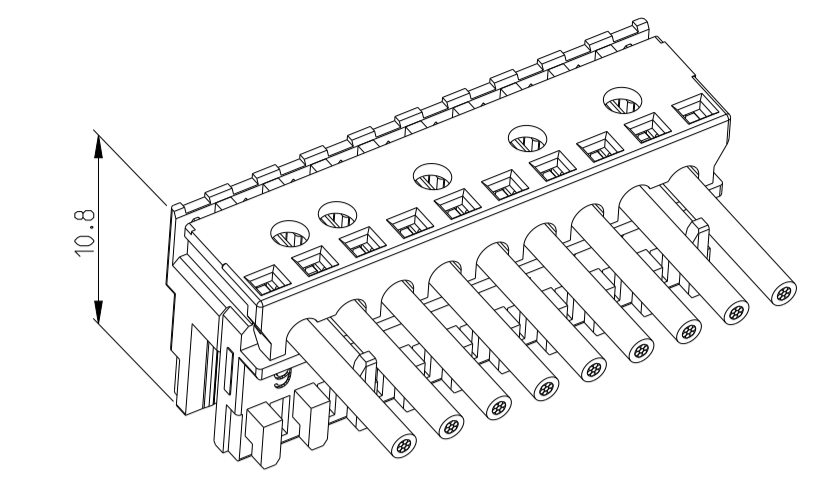
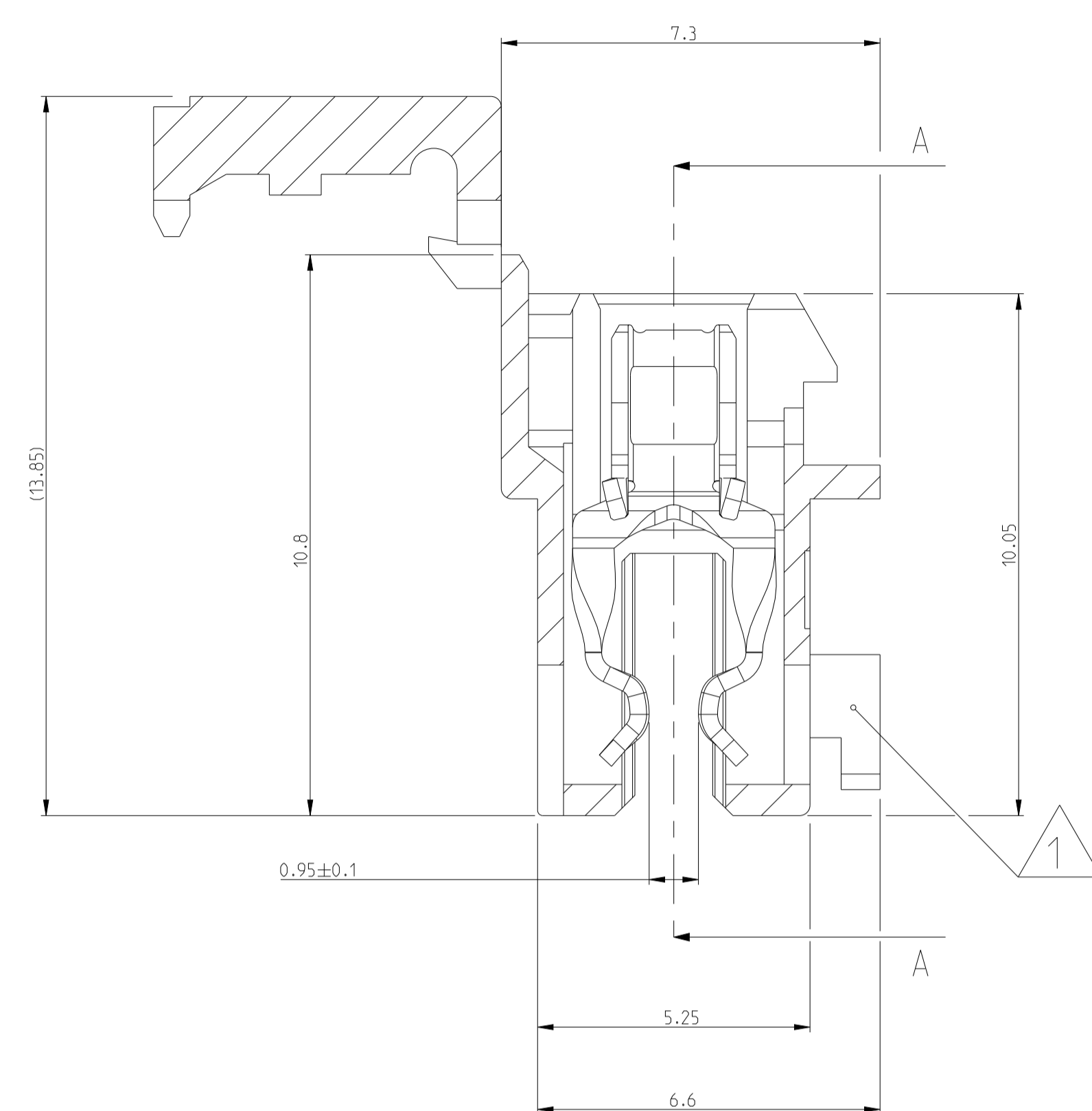
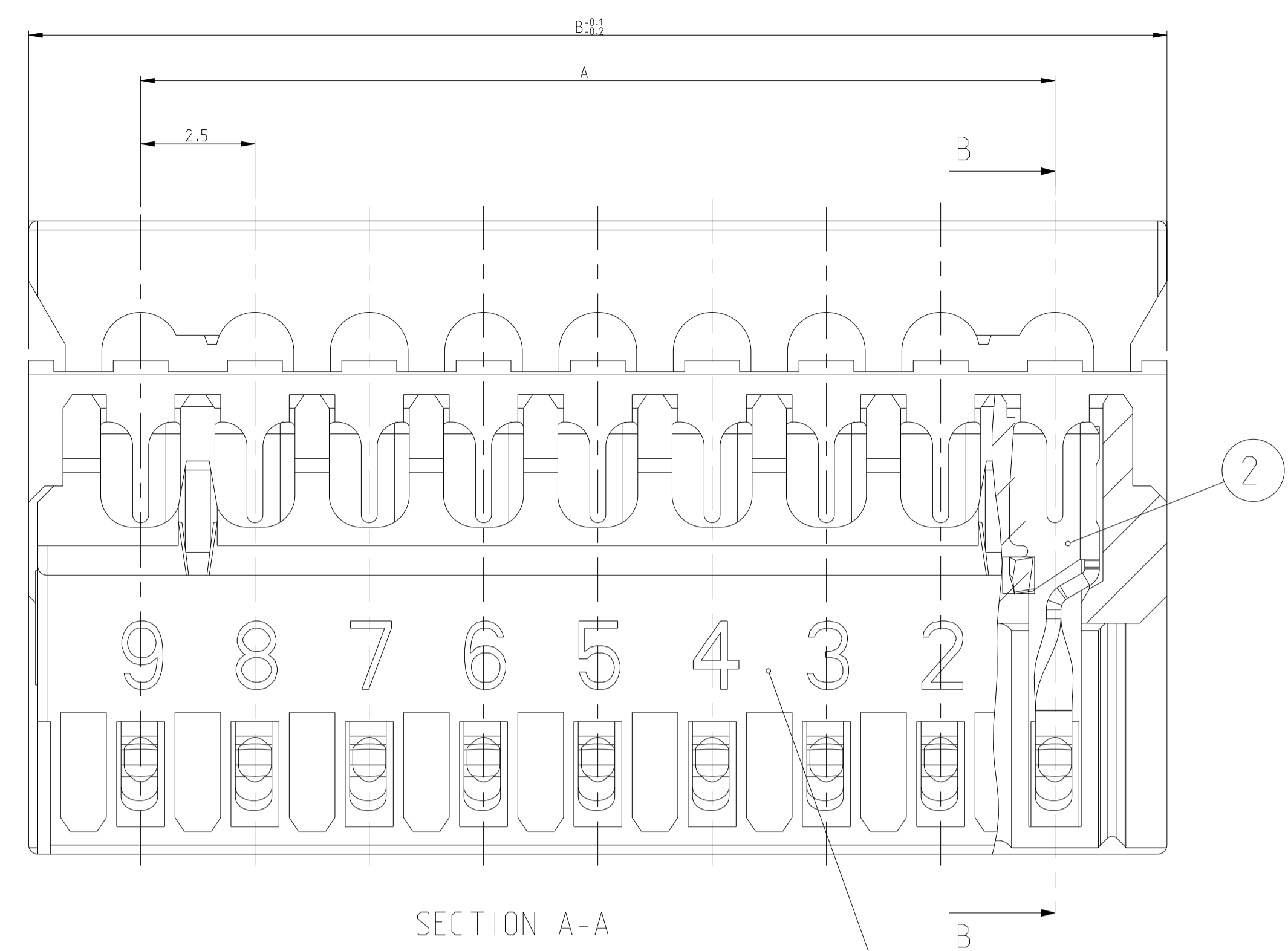
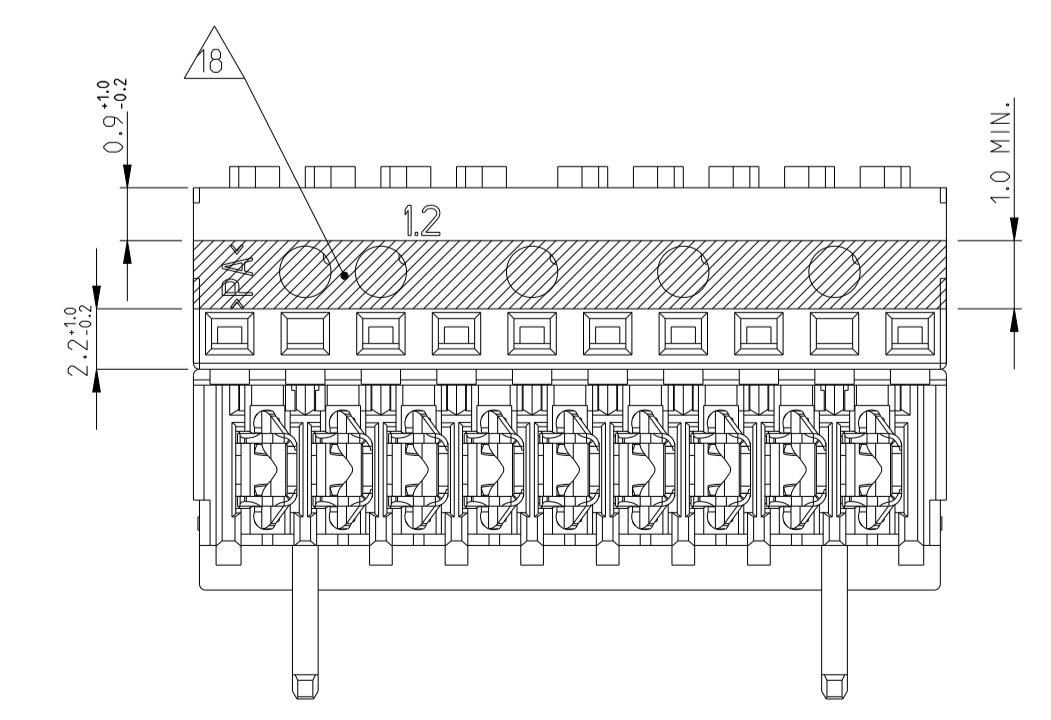
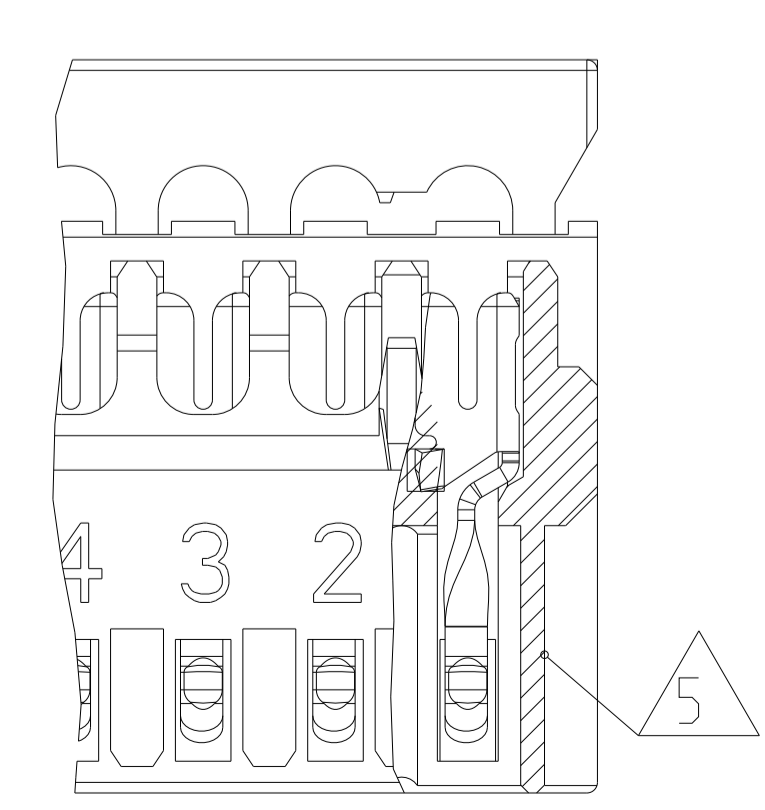
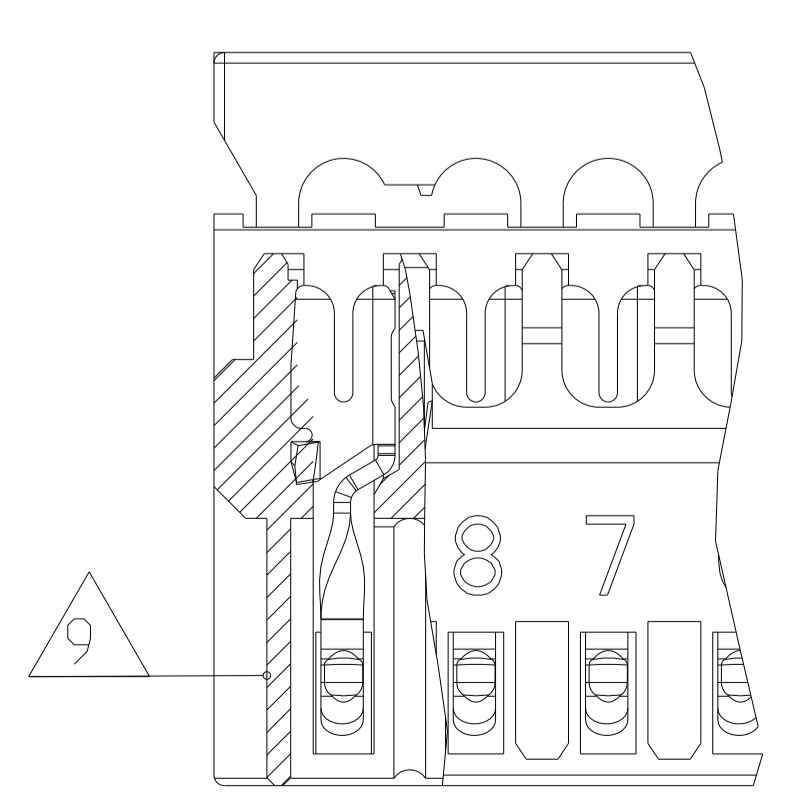
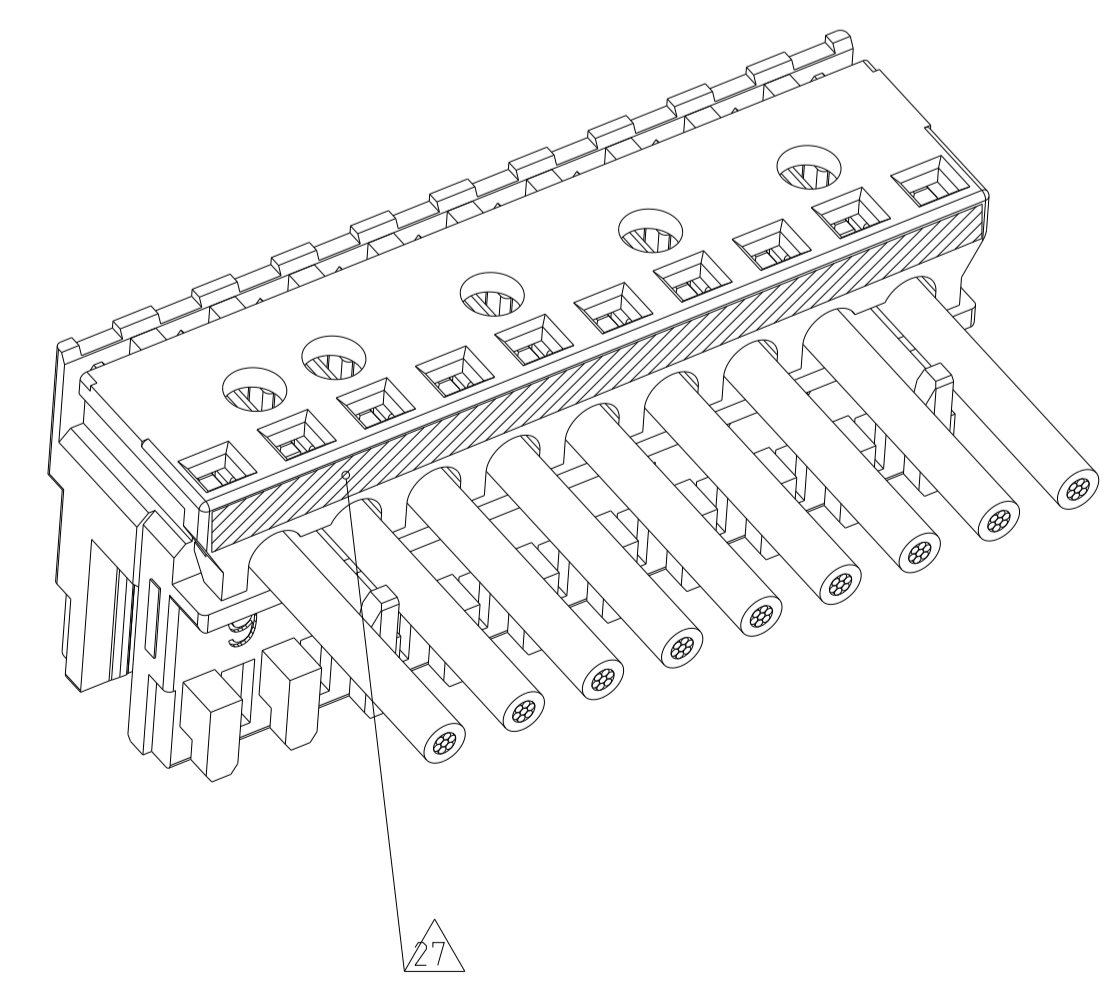


LOC		DIST		REVISIONS			
P	LTN	DESCRIPTION	DATE	DMN	APVD		



SECTION B-B

- 31 SIDE KEYING ON LAST CAVITY. THICKNESS 0.7mm
- 30 SIDE KEYING ON CAVITY NO.1. THICKNESS 0.7mm
- 29 P/N RELEASED WITH PARTIAL VALIDATION AND CERTIFICATION
- 28 CAVITY ID STARTS WITH LETTER FOR PARTS PRODUCTION IN QINGDAO PLANT. SUCH AS "A1.1"
- 27 STRIPE IN YELLOW COLOR WHERE SHOWN. PRESENT ON THE PARTS PRODUCED IN TE COLLEGNO ONLY
- 26 DIMENSION AVAILABLE ONLY FOR PART X-2304525-X. X-2304526-X.
- 25 WITH SPECIAL CHAIN FEATURE
- 24 SIDE KEYING ON LAST CAVITY. THICK-1.5mm
- 23 -
- 19 SIDE KEYING. THICK. ON CAVITY No.1. THICKNESS 1.5mm
- 18 COLOR STRIP ON COVER OF HOUSING. NOT THE COLOR OF HOUSING.
- 17 SLOT FOR KEYING. SLIM. BETWEEN POSITION
- 16 SLOT FOR KEYING. THICK. BETWEEN POSITION
- 15 KEYING. THICK. BETWEEN POSITION. THICKNESS 0.7mm
- 14 COLOR CODE
- 13 TE LOGO
- 12 PRELIMINARY PART NOT RELEASED FOR PRODUCTION
- 11 KEYING. SLIM. BETWEEN POSITION. THICKNESS 0.45mm
- 10 SLOT FOR SIDE KEYING. ON LAST CAVITY
- 9 SIDE KEYING. SLIM. ON LAST CAVITY. THICKNESS 0.45mm
- 8 INCLUSIVE COPPER LOADING
- 7 PCB PREFERABLY CHAMFERED
- 6 SLOT FOR SIDE KEYING. ON CAVITY NO 1
- 5 SIDE KEYING. ON CAVITY NO. 1. THICKNESS 0.45mm
- 4 WIRE RANGE: 0.22-0.35mm² SEE APPLICATION SPEC. 114-18467
- 3 IEC 60695-2-11 / IEC 60335-1 GLOW WIRE TEST 750 °C WITHOUT FLAME
- 2 MATING PART: PCB (WITH FRAMES ACC. RAST 2.5 E.G. PN 964 575/576) TAB HEADER (FOR EXAMPLE: X-1971817/818-Y)
- 1 KEYING RIBS; CUTTING WITH TERMINATION MACHINE POSSIBLE




THIS DRAWING IS A CONTROLLED DOCUMENT.		DMN H. Karabiyik 24MAY2002	TE Connectivity															
		CHK B. Schnaubelt 24MAY2002																
DIMENSIONS: mm		TOLERANCES UNLESS OTHERWISE SPECIFIED:	NAME															
<table border="1"> <tr><td>0 PLC</td><td>±0.2</td></tr> <tr><td>1 PLC</td><td>±0.2</td></tr> <tr><td>2 PLC</td><td>±0.2</td></tr> <tr><td>3 PLC</td><td>±0.2</td></tr> <tr><td>4 PLC</td><td>±0.2</td></tr> <tr><td>ANGLES</td><td>±</td></tr> <tr><td>FINISH</td><td>±</td></tr> </table>		0 PLC	±0.2	1 PLC	±0.2	2 PLC	±0.2	3 PLC	±0.2	4 PLC	±0.2	ANGLES	±	FINISH	±	APVD T. Klenner 24MAY2002	AMP DUOPLUG 2.5 MARK II FEMALE CONNECTOR 2-20 POSITION	
0 PLC	±0.2																	
1 PLC	±0.2																	
2 PLC	±0.2																	
3 PLC	±0.2																	
4 PLC	±0.2																	
ANGLES	±																	
FINISH	±																	
MATERIAL		PRODUCT SPEC 108-18785	SIZE CAGE CODE DRAWING NO RESTRICTED TO															
		APPLICATION SPEC 114-18467	A1 00779 C=1534796															
		WEIGHT	SCALE 5:1 SHEET 1 OF 4															
		Customer Drawing	REV D90															

LOC	DIST	REVISIONS			
A1	-	REV	DATE	BY	APPV
		1			
		2			
		3			
		4			
		5			
		6			
		7			
		8			
		9			
		10			
		11			
		12			
		13			
		14			
		15			
		16			
		17			
		18			
		19			
		20			

GWEPT 750°C NO FLAME & UL94-V2. TIN PLATED VERSION										
SL NO	PN	DESCRIPTION	MATERIAL	COLOUR/FINISH						
2	SEE TABLE	CONTACT	CuSn	TINNED						
1	SEE TABLE	HOUSING	HIGH TEMP PLASTIC	NATUR						
GREEN	5	10	14.9	3/4	2-2825353-5					
BLACK	4	7.5	12.4	3/4	3-2825353-4					
ORANGE	3	5	9.9		2825353-3					
COLOR CODE	POS. Polzahl	DIM A	DIM B	KEYING	KEYING	KEYING	KEYING	KEYING	KEYING	PN Bestell-Nr.

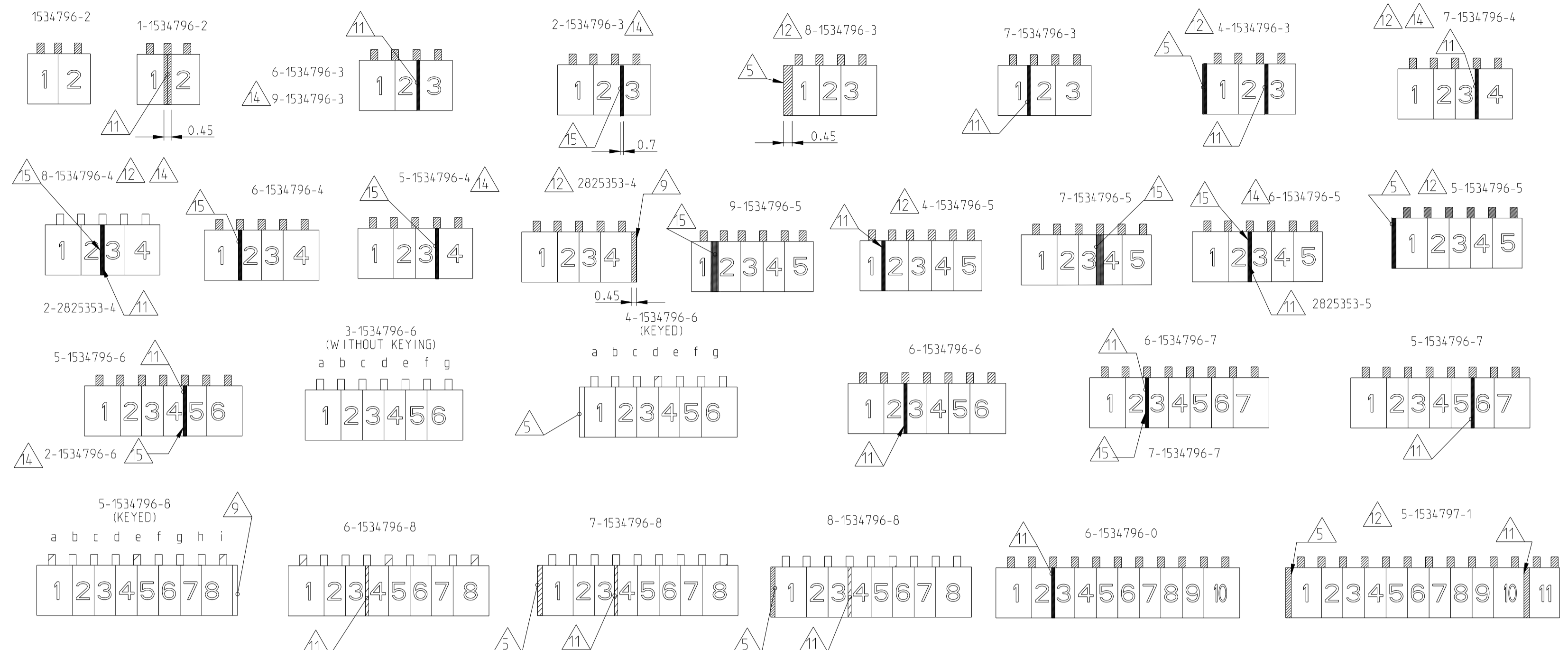
GWEPT 750°C NO FLAME & UL94-V2. TIN PLATED VERSION (2-9 POSITION)										
SL NO	PN	DESCRIPTION	MATERIAL	COLOUR/FINISH						
9	20	24.9		2/3	5-1534796-9					
9	20	24.9		4/5	2-1534796-9					
9	20	24.9			3-1534796-9					
9	20	24.9	X	3/4	4-1534796-9					
ORANGE	8	17.5	22.4	2/3	2825353-8					
Brown	8	17.5	22.4	2/3	9-1534796-8					
8	17.5	22.4	X	3/4	8-1534796-8					
8	17.5	22.4		3/4	7-1534796-8					
8	17.5	22.4		3/4	6-1534796-8					
8	17.5	22.4			5-1534796-8					
8	17.5	22.4	X		3-1534796-8					
8	17.5	22.4			2-1534796-8					
Brown	8	17.5	22.4	2/3	1534796-8					
7	15	19.9		2/3	7-1534796-7					
BLUE	7	15	19.9	2/3	6-1534796-7					
BLUE	7	15	19.9	X	4-1534796-7					
7	15	19.9		5/6	5-1534796-7					
7	15	19.9			3-1534796-7					
BLACK	6	12.5	17.4	1/2	2825353-6					
6	12.5	17.4		2/3	9-1534796-6					
6	12.5	17.4		1/2	8-1534796-6					
6	12.5	17.4		3/4	7-1534796-6					
6	12.5	17.4		2/3	6-1534796-6					
BLUE	6	12.5	17.4	4/5	2-1534796-6					
6	12.5	17.4		4/5	5-1534796-6					
6	12.5	17.4			4-1534796-6					
6	12.5	17.4			3-1534796-6					
ORANGE	5	10	14.9	2/3	1-2825353-5					
BROWN	5	10	14.9	2/3	2825353-5					
RED	5	10	14.9	4/5	8-1534796-5					
5	10	14.9		1/2	9-1534796-5					
5	10	14.9		1/2	4-1534796-5					
GREEN	5	10	14.9	3/4	7-1534796-5					
BROWN	5	10	14.9	2/3	6-1534796-5					
5	10	14.9			5-1534796-5					
5	10	14.9			3-1534796-5					
BROWN	5	10	14.9	1/2	0-1534796-5					
4	7.5	12.4		2/3	2-2825353-4					
GREEN	4	7.5	12.4	X	1-2825353-4					
4	7.5	12.4		X	0-2825353-4					
RED	4	7.5	12.4		9-1534796-4					
BLACK	4	7.5	12.4	2/3	8-1534796-4					
BLACK	4	7.5	12.4	3/4	5-1534796-4					
4	7.5	12.4		1/2	6-1534796-4					
4	7.5	12.4	X	1/2	1534796-4					
4	7.5	12.4		3/4	7-1534796-4					
4	7.5	12.4			4-1534796-4					
4	7.5	12.4			3-1534796-4					
RED	3	5	9.9	2/3	2-1534796-3					
3	5	9.9			8-1534796-3					
RED	3	5	9.9	2/3	9-1534796-3					
3	5	9.9		2/3	6-1534796-3					
3	5	9.9		1/2	7-1534796-3					
BLACK	3	5	9.9		5-1534796-3					
3	5	9.9		2/3	4-1534796-3					
3	5	9.9			3-1534796-3					
2	2.5	7.4		1/2	1-1534796-2					
2	2.5	7.4			1534796-2					
COLOR CODE	POS.	DIM A	DIM B	KEYING	KEYING	KEYING	KEYING	KEYING	KEYING	TE P/N
2	SEE TABLE	CONTACT	CuSn	TINNED						
1	SEE TABLE	HOUSING	HIGH TEMP PLASTIC	NATUR						
SL NO	PN	DESCRIPTION	MATERIAL	COLOUR/FINISH						

GWEPT 750°C NO FLAME & UL94-V2. TIN PLATED VERSION (10-20 POSITION)										
SL NO	PN	DESCRIPTION	MATERIAL	COLOUR/FINISH						
20	47.5	52.4		X	3/4	4-1534797-0				
20	47.5	52.4				3-1534797-0				
19	45	49.9				5-1534797-9				
19	45	49.9				4-1534797-9				
19	45	49.9				3-1534797-9				
18	42.5	47.4	X	X		4-1534797-8				
17	40	44.9	X	X		4-1534797-7				
17	40	44.9			10/11	1534797-7				
16	37.5	42.4				3-1534797-6-obsolete				
15	35	39.9	X	X		4-1534797-5				
15	35	39.9				3-1534797-5-obsolete				
14	32.5	37.4				3-1534797-4				
13	30	34.9	X	X		4-1534797-3				
13	30	34.9				3-1534797-3				
12	27.5	32.4			11/12	5-1534797-2				
12	27.5	32.4				X	4-1534797-2			
12	27.5	32.4				3-1534797-2				
12	27.5	32.4	X	X	10/11	2-1534797-2				
11	25	29.9			5/6	7-1534797-1				
11	25	29.9			10/11	6-1534797-1				
11	25	29.9			10/11	X	5-1534797-1			
11	25	29.9			9/10	4-1534797-1				
11	25	29.9				3-1534797-1				
10	22.5	27.4			2/3	6-1534796-0				
10	22.5	27.4			8/9	4-1534796-0				
10	22.5	27.4				3-1534796-0				
10	22.5	27.4			7/8	7-1534796-0				
COLOR CODE	POS.	DIM A	DIM B	KEYING	KEYING	KEYING	KEYING	KEYING	KEYING	TE P/N
2	SEE TABLE	CONTACT	CuSn	TINNED						
1	SEE TABLE	HOUSING	HIGH TEMP PLASTIC	NATUR						
SL NO	PN	DESCRIPTION	MATERIAL	COLOUR/FINISH						

THIS DRAWING IS A CONTROLLED DOCUMENT.		OWN: H. Karabiyik 24MAY2002	 TE Connectivity AMP DUOPLUG 2.5 MARK II FEMALE CONNECTOR 2-20 POSITION
DIMENSIONS: mm		CHK: B. Schnaubelt 24MAY2002	
TOLERANCES UNLESS OTHERWISE SPECIFIED:		APPV: T. Klenner 24MAY2002	NAME: AMP DUOPLUG 2.5 MARK II FEMALE CONNECTOR 2-20 POSITION
0 PLC ±0.2 1 PLC ±0.2 2 PLC ±0.2 3 PLC ±0.2 4 PLC ± ANGLES ± FINISH ±		PRODUCT SPEC: 108-18785	SIZE: 114-18667
MATERIAL: -		WEIGHT: -	RESTRICTED TO: -
Customer Drawing		SCALE: 5:1	SHEET: 2 OF 4

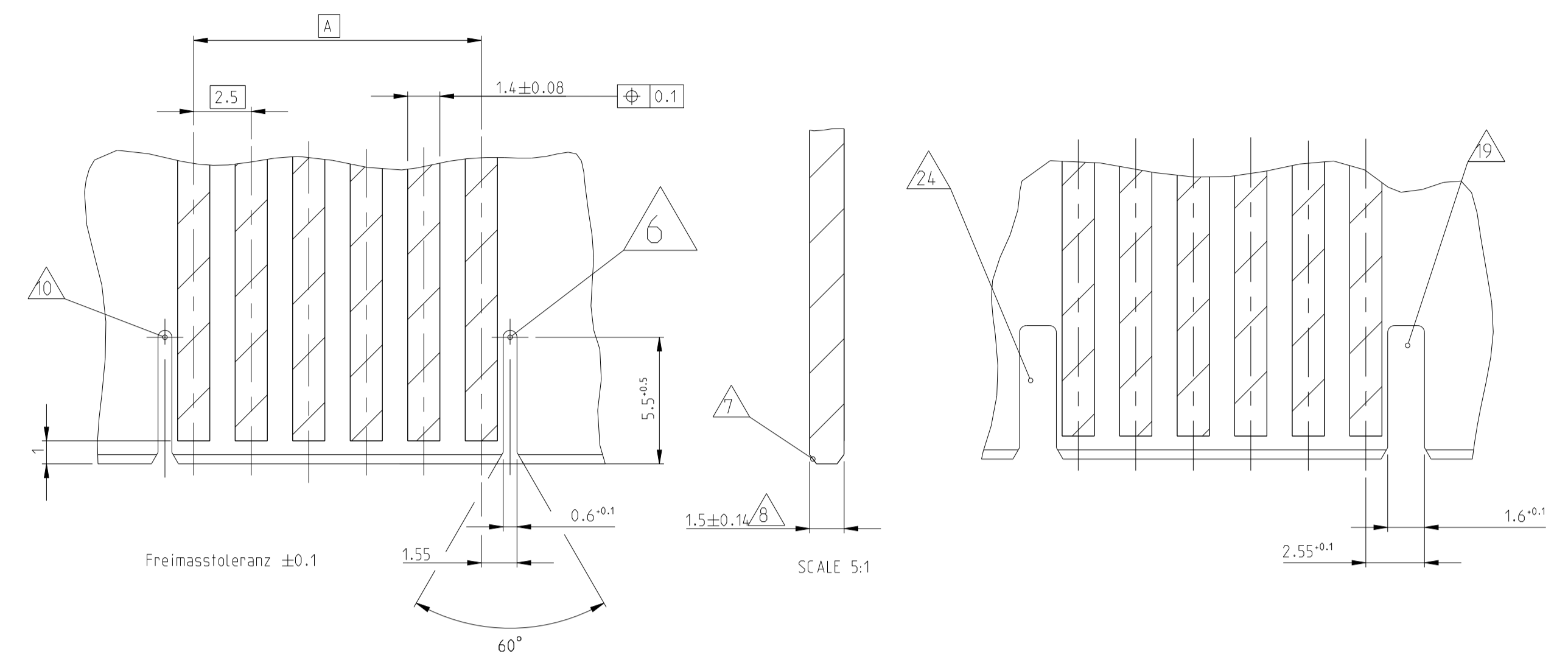
LOC	DIST	REVISIONS			
P	LTN	DESCRIPTION	DATE	OWN	APVD
-	-	SEE SHEET 1	-	-	-

KEYING PLAN (EXAMPLES)
 Kodierschema (Beispiele)

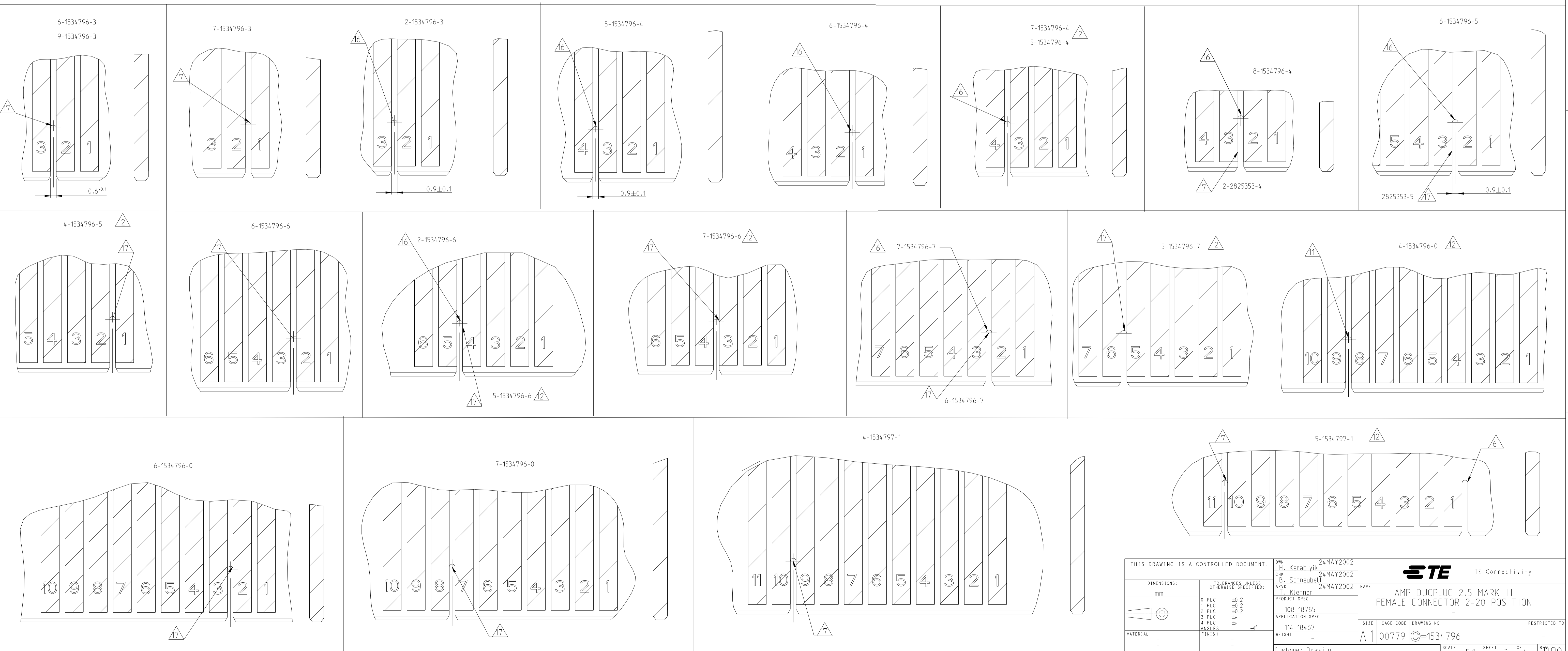


PCB LAYOUT KEYED / CONNECTED ONLY WITH ADDITIONAL FRAME

Leiterplattenanschluss kodiert / nur in Verbindung mit zusätzlichem Rahmen



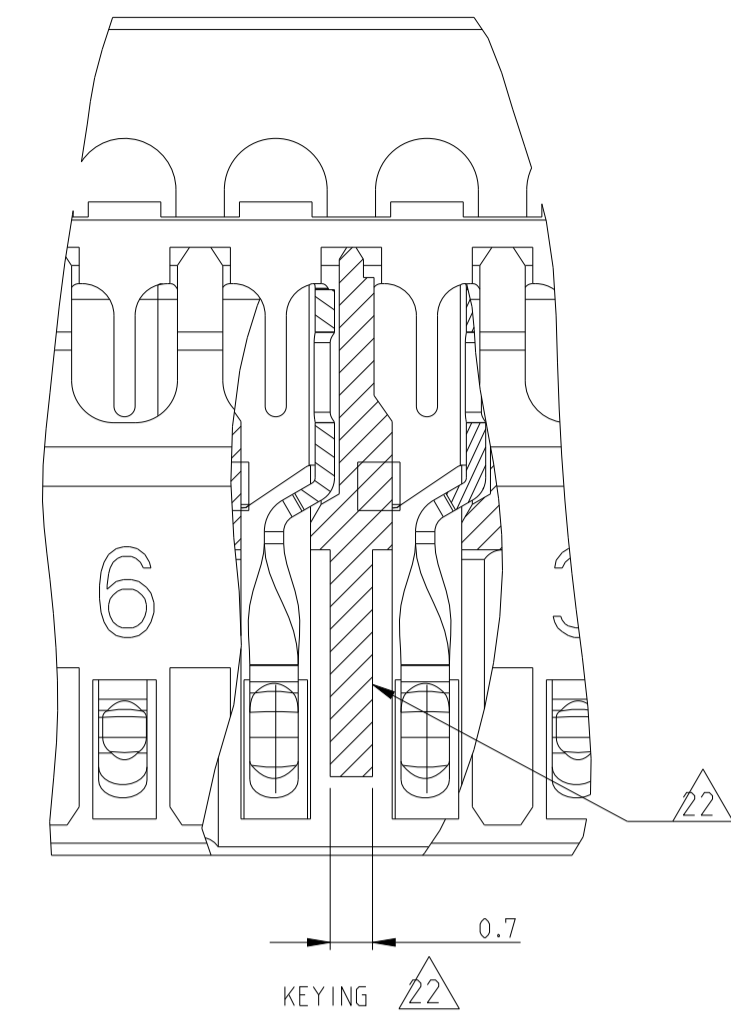
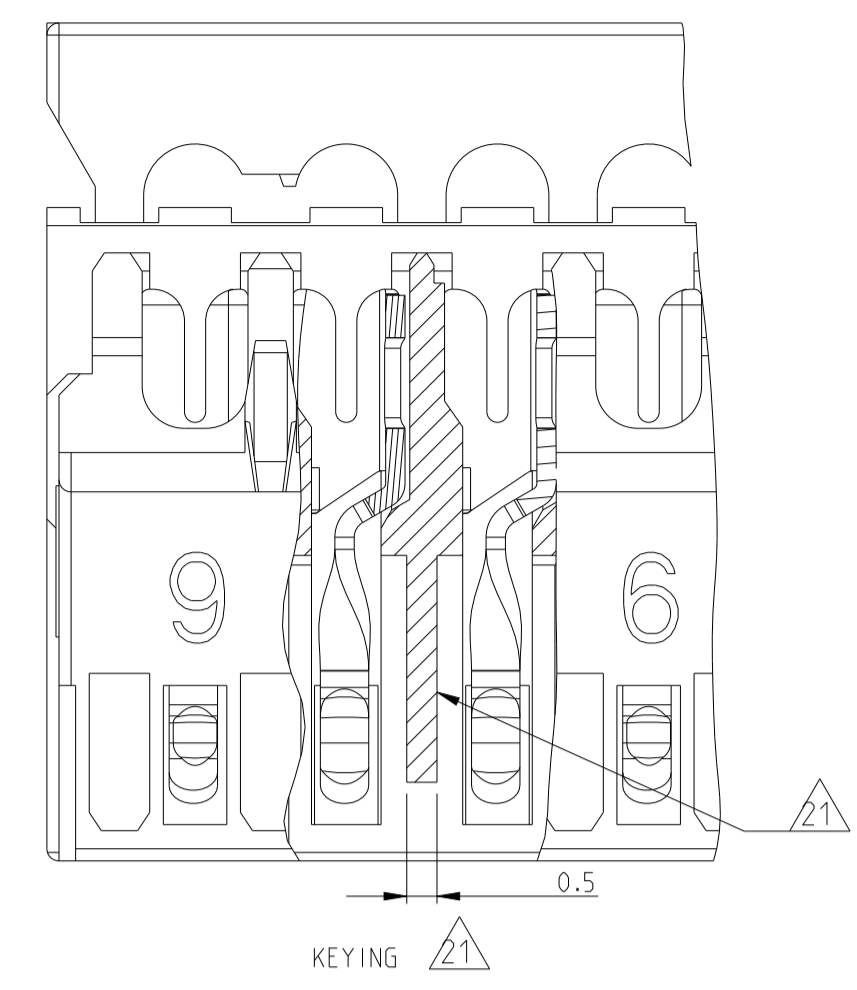
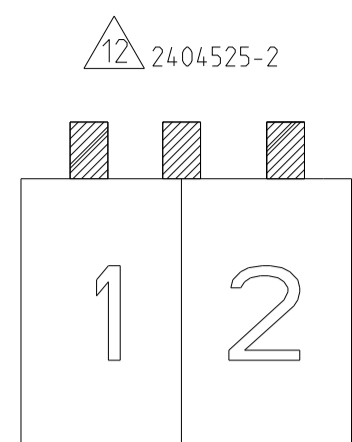
PCB LAYOUT FOR KEYING BETWEEN POSITION



THIS DRAWING IS A CONTROLLED DOCUMENT.		OWN: H. Karabiyik 24MAY2002	TE Connectivity NAME: AMP DUOPLUG 2.5 MARK II FEMALE CONNECTOR 2-20 POSITION SIZE: A1 CAGE CODE: 00779 DRAWING NO: C=1534796 SHEET 3 OF 4 RESTRICTED TO: - REVISION: U90
DIMENSIONS: mm TOLERANCES UNLESS OTHERWISE SPECIFIED: 0 PLC ±0.2 1 PLC ±0.2 2 PLC ±0.2 3 PLC ±0.2 4 PLC ±0.2 ANGLES FINISH ±1°		CHK: B. Schnaubelt 24MAY2002 APVD: T. Klenner 24MAY2002 PRODUCT SPEC: 108-18785 APPLICATION SPEC: 114-18467 WEIGHT: - Customer Drawing	

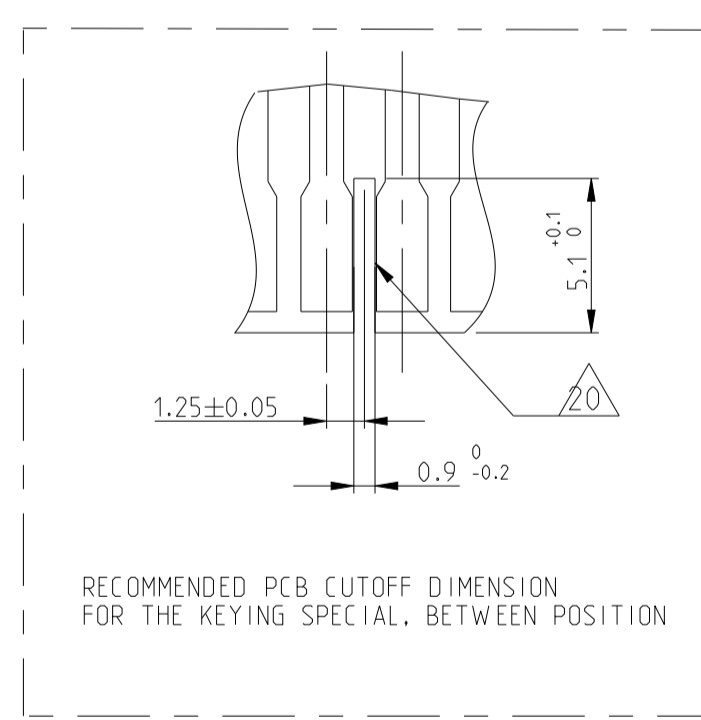
LOC	DIST	REVISIONS			
		REV	DATE	BY	APPV
A1	-	1	SEE SHEET 1	-	-

KEYING PLAN (EXAMPLES)



PA GF. GWPT 750°C NO FLAME & UL94-V0. TIN PLATED VERSION											
Blue	20	47.5	52.4	3/4					X		2-2304526-0
Blue	20	47.5	52.4				3/4		X		1-2304526-0
	14	32.5	37.4								2304526-4
	13	30	34.9						X		2-2304526-3
Blue	13	30	34.9					X			1-2304526-3
	13	30	34.9				2/3				2304526-3
	12	27.5	32.4								2304526-2
	10	22.5	27.4								1-2304525-0
	9	20	24.9	-	-	-	-				3-2304525-9
Blue	8	17.5	22.4	-	-	-	-				2-2304525-8
	8	17.5	22.4	-	-	-	-				1-2304525-8
Brown	8	17.5	22.4	-	-	-	2/3				2304525-8
	7	15	19.9	-	-	-	-				2304525-7
Black	6	12.5	17.4	-	-	-	-				4-2304525-6
GREEN	6	12.5	17.4	-	-	-	1/2				3-2304525-6
Red	6	12.5	17.4	-	-	-	2/3				2-2304525-6
	6	12.5	17.4	-	-	-	-				1-2304525-6
Blue	6	12.5	17.4	-	-	-	4/5				2304525-6
	5	10	14.9	4/5							5-2304525-5
	5	10	14.9		1/2	-	-				4-2304525-5
Green	5	10	14.9	-	-	-	3/4				2-2304525-5
Brown	5	10	14.9	-	-	-	2/3				1-2304525-5
	5	10	14.9	-	-	-	-				2304525-5
Orange	4	7.5	12.4				1/2				5-2304525-4
Black	4	7.5	12.4	-	3/4	-	-				4-2304525-4
Blue	4	7.5	12.4	-	-	-	-				3-2304525-4
	4	7.5	12.4	-	-	-	-				2-2304525-4
Brown	4	7.5	12.4	-	-	-	1/2				1-2304525-4
Black	4	7.5	12.4	-	-	-	3/4				2304525-4
	3	5	9.9					X			7-2304525-3
Red	3	5	9.9				2/3				6-2304525-3
Black	3	5	9.9				1/2				5-2304525-3
	3	5	9.9					X	X		4-2304525-3
Red	3	5	9.9			2/3					3-2304525-3
	3	5	9.9							X	2-2304525-3
	3	5	9.9	-	-	-	-				1-2304525-3
Black	3	5	9.9	-	-	1/2	-				2304525-3
	2	2.5	7.4								2304525-2
Color Code	POS. Polzahl	DIM A	DIM B	KEYING	KEYING	KEYING	KEYING	KEYING	KEYING	KEYING	PN Bestell-Nr.
		2				CONTACT		CuSn			TINNED
		1	SEE TABLE			HOUSING		HIGH TEMP PLASTIC			NATUR
SL NO	PN	DESCRIPTION		MATERIAL		COLOUR/FINISH					

KEYING, SPECIAL THICK. BETWEEN POSITION. THICKNESS 0.7mm
 KEYING, SPECIAL THIN. BETWEEN POSITION. THICKNESS 0.5mm
 SLOT FOR KEYING SPECIAL. BETWEEN POSITION



THIS DRAWING IS A CONTROLLED DOCUMENT.

OWN: H. Karabiyik 24MAY2002
 CHK: B. Schnaubelt 24MAY2002
 APVD: T. Klenner 24MAY2002

TE Connectivity

NAME: AMP DUOPLUG 2.5 MARK II FEMALE CONNECTOR 2-20 POSITION

PRODUCT SPEC: 108-18785
 APPLICATION SPEC: 114-18467

SIZE: A1
 CAGE CODE: 00779
 DRAWING NO: C=1534796

RESTRICTED TO: -

Customer Drawing
 SCALE: 5:1
 SHEET: 4 OF 4
 REV: D90