

1534222-1 ✓ ACTIVE

AMP | MQS

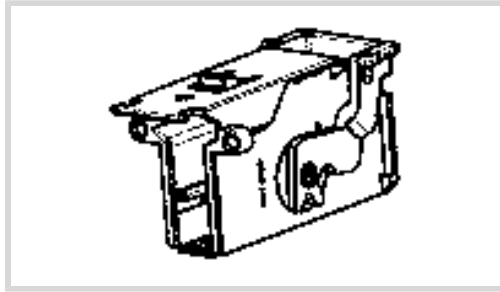
TE Internal #: 1534222-1

Automotive Connector Caps & Covers, Cover Assembly, Green,
PBT GF, 32 Position, -40 – 284 °F [-40 – 140 °C], MQS

[View on TE.com >](#)



Connectors > Automotive Connectors > Automotive Connector Accessories > Automotive Connector Caps & Covers



Protection & Strain Relief Accessory Type: **Cover Assembly**

Strain Relief: **With**

Primary Product Color: **Green**

Primary Product Material: **PBT GF**

Number of Positions: **32**

Features

Product Type Features

Protection & Strain Relief Accessory Type	Cover Assembly
---	----------------

Configuration Features

Number of Positions	32
---------------------	----

Body Features

Primary Product Color	Green
Primary Product Material	PBT GF

Mechanical Attachment

Strain Relief	With
---------------	------

Usage Conditions

Operating Temperature (Max)	70 °C, 75 °C, 80 °C, 85 °C, 90 °C, 100 °C, 105 °C, 110 °C, 120 °C, 125 °C, 130 °C, 140 °C [158 °F][167 °F][176 °F][185 °F][194 °F][212 °F][221 °F][230 °F][248 °F][257 °F][266 °F][284 °F]
Operating Temperature Range	-40 – 140 °C [-40 – 284 °F]

Packaging Features

Packaging Quantity	1000
Packaging Method	Carton

Product Compliance



[For compliance documentation, visit the product page on TE.com>](#)

EU RoHS Directive 2011/65/EU	Compliant
EU ELV Directive 2000/53/EC	Compliant
China RoHS 2 Directive MIIT Order No 32, 2016	No Restricted Materials Above Threshold
EU REACH Regulation (EC) No. 1907/2006	Current ECHA Candidate List: JUNE 2022 (224) Candidate List Declared Against: JUNE 2022 (224) Does not contain REACH SVHC
Halogen Content	BFR/CFR/PVC Free, but Br/Cl >900 ppm in other sources.
Solder Process Capability	Not applicable for solder process capability

Product Compliance Disclaimer

This information is provided based on reasonable inquiry of our suppliers and represents our current actual knowledge based on the information they provided. This information is subject to change. The part numbers that TE has identified as EU RoHS compliant have a maximum concentration of 0.1% by weight in homogenous materials for lead, hexavalent chromium, mercury, PBB, PBDE, DBP, BBP, DEHP, DIBP, and 0.01% for cadmium, or qualify for an exemption to these limits as defined in the Annexes of Directive 2011/65/EU (RoHS2). Finished electrical and electronic equipment products will be CE marked as required by Directive 2011/65/EU. Components may not be CE marked. Additionally, the part numbers that TE has identified as EU ELV compliant have a maximum concentration of 0.1% by weight in homogenous materials for lead, hexavalent chromium, and mercury, and 0.01% for cadmium, or qualify for an exemption to these limits as defined in the Annexes of Directive 2000/53/EC (ELV). Regarding the REACH Regulation, the information TE provides on SVHC in articles for this part number is based on the latest European Chemicals Agency (ECHA) 'Guidance on requirements for substances in articles' posted at this URL: <https://echa.europa.eu/guidance-documents/guidance-on-reach>

Compatible Parts



Also in the Series | **MQS**



Automotive Connector Caps & Covers (133)



Automotive Connector EMC Shielding (2)



Automotive Connector Locks & Position Assurance(29)



Automotive Housings(492)



Automotive Seals & Cavity Plugs(26)



Automotive Terminals(95)



Insertion & Extraction Tools(42)

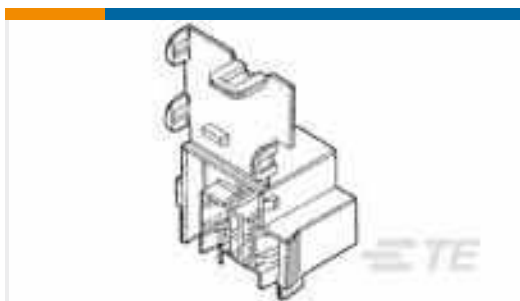


Other Automotive Connector Accessories(13)

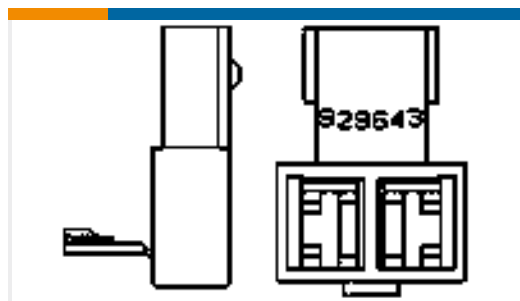


PCB Headers & Receptacles(209)

Customers Also Bought



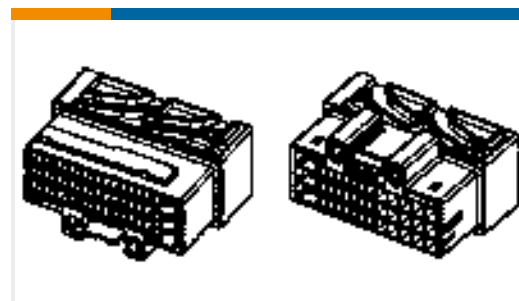
TE Part #353752-2
HEAD LAMP CONNECTOR .312 (7.92 MM)



TE Part #929643-1
2P KUPPLUNGSGEH



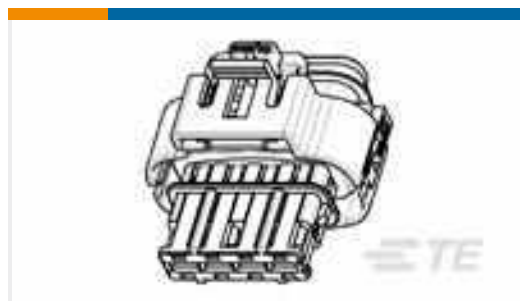
TE Part #929092-1
MCP2,8 GEH ASSY2X8P



TE Part #1743086-2
LIF HYB 39P CAP ASSY BLK



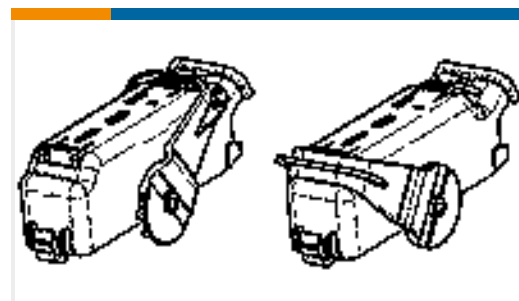
TE Part #520971-4
ULTRA-POD 250 ASY REC 18-14 AWG TPBR



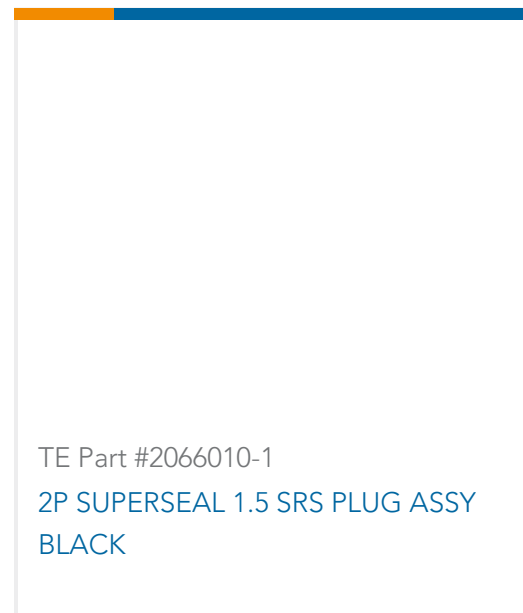
TE Part #1480968-1
ASSY 4 POSN. 2,8MM REC.



TE Part #CH03466001
QSZH-125-NR1-40MM



TE Part #1379209-2
26W COVER ASSEMBLY



Documents

Product Drawings

[MQS COVER 2X16P](#)

English

CAD Files

Customer View Model

[ENG_CVM_CVM_1534222-1_C.2d_dxf.zip](#)

English

[3D PDF](#)

3D

Customer View Model

[ENG_CVM_CVM_1534222-1_C.3d_igs.zip](#)

English

Customer View Model

[ENG_CVM_CVM_1534222-1_C.3d_stp.zip](#)

English

By downloading the CAD file I accept and agree to the [Terms and Conditions](#) of use.

Product Specifications

[Application Specification](#)

English