

1534184-1 ✓ ACTIVE

AMP | AMP MCP Connector System, AMP MCP Hybrids

TE Internal #: 1534184-1

Automotive Connector Caps & Covers, Cover Assembly, Black, PBT GF, 32 Position, -40 – 284 °F [-40 – 140 °C], AMP MCP Connector System

[View on TE.com >](#)



Connectors > Automotive Connectors > Automotive Connector Accessories > Automotive Connector Caps & Covers



Protection & Strain Relief Accessory Type: **Cover Assembly**

Strain Relief: **With**

Primary Product Color: **Black**

Primary Product Material: **PBT GF**

Number of Positions: **32**

Features

Product Type Features

Protection & Strain Relief Accessory Type	Cover Assembly
---	----------------

Configuration Features

Number of Positions	32
---------------------	----

Body Features

Primary Product Color	Black
-----------------------	-------

Primary Product Material	PBT GF
--------------------------	--------

Mechanical Attachment

Strain Relief	With
---------------	------

Usage Conditions

Operating Temperature (Max)	70 °C, 75 °C, 80 °C, 85 °C, 90 °C, 100 °C, 105 °C, 110 °C, 120 °C, 125 °C, 130 °C, 140 °C [158 °F][167 °F][176 °F][185 °F][194 °F][212 °F][221 °F][230 °F][248 °F][257 °F][266 °F][284 °F]
-----------------------------	--

Operating Temperature Range	-40 – 140 °C [-40 – 284 °F]
-----------------------------	-----------------------------

Packaging Features

Packaging Quantity	300
--------------------	-----

Packaging Method	Carton
------------------	--------



Product Compliance

[For compliance documentation, visit the product page on TE.com>](#)

EU RoHS Directive 2011/65/EU	Compliant
EU ELV Directive 2000/53/EC	Compliant
China RoHS 2 Directive MIIT Order No 32, 2016	No Restricted Materials Above Threshold
EU REACH Regulation (EC) No. 1907/2006	Current ECHA Candidate List: JUNE 2024 (241) Candidate List Declared Against: JAN 2024 (240) Does not contain REACH SVHC
Halogen Content	Low Halogen - Br, Cl, F, I < 900 ppm per homogenous material. Also BFR/CFR/PVC Free
Solder Process Capability	Not applicable for solder process capability

Product Compliance Disclaimer

This information is provided based on reasonable inquiry of our suppliers and represents our current actual knowledge based on the information they provided. This information is subject to change. The part numbers that TE has identified as EU RoHS compliant have a maximum concentration of 0.1% by weight in homogenous materials for lead, hexavalent chromium, mercury, PBB, PBDE, DBP, BBP, DEHP, DIBP, and 0.01% for cadmium, or qualify for an exemption to these limits as defined in the Annexes of Directive 2011/65/EU (RoHS2). Finished electrical and electronic equipment products will be CE marked as required by Directive 2011/65/EU. Components may not be CE marked. Additionally, the part numbers that TE has identified as EU ELV compliant have a maximum concentration of 0.1% by weight in homogenous materials for lead, hexavalent chromium, and mercury, and 0.01% for cadmium, or qualify for an exemption to these limits as defined in the Annexes of Directive 2000/53/EC (ELV). Regarding the REACH Regulation, the information TE provides on SVHC in articles for this part number is based on the latest European Chemicals Agency (ECHA) 'Guidance on requirements for substances in articles' posted at this URL: <https://echa.europa.eu/guidance-documents/guidance-on-reach>

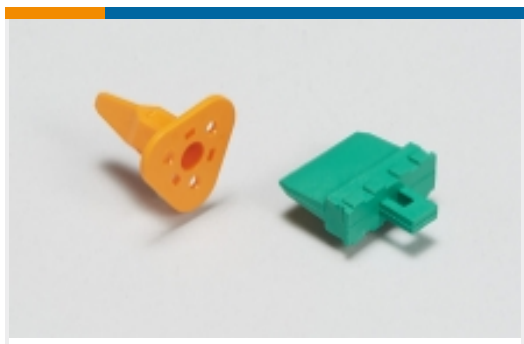
Compatible Parts



Also in the Series | [AMP MCP Connector System](#)



Automotive Connector Caps & Covers (24)



Automotive Connector Locks & Position Assurance(4)



Automotive Housings(260)



Automotive Terminals(11)



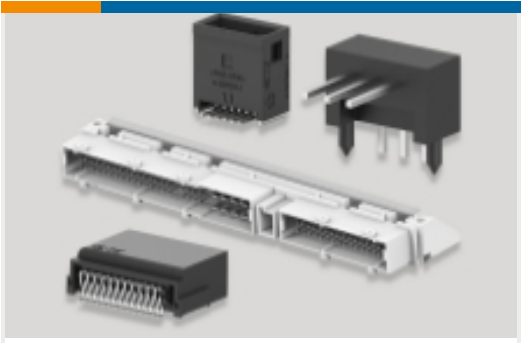
Connector Seals & Cavity Plugs(5)



Insertion & Extraction Tools(13)



Other Automotive Connector Accessories(2)



PCB Headers & Receptacles(28)

Also in the Series | AMP MCP Hybrids



Automotive Connector Caps & Covers (4)



Automotive Housings(49)

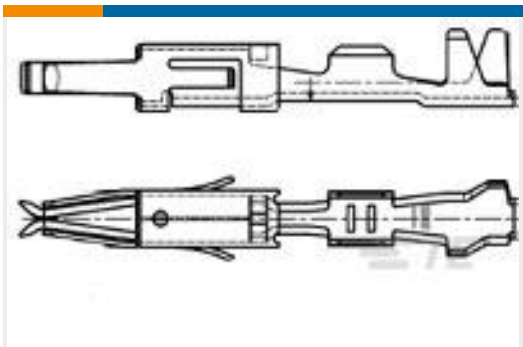
Customers Also Bought



TE Part #144936-1
LOCKING DEVICE MQS



TE Part #1241404-3
AMP MCP, RECEPTACLE AND TAB



TE Part #1241844-2
MT2 A REC 1.6 Contact SRC Sn



TE Part #2141824-1
MQS0,63 Sn rec LL unseal. 0,13-0,17



TE Part #2208277-3
60POS MQS REC SEALED



TE Part #2410400-2
XS-D1 Shuttle Heater, PLUS



TE Part #1802436-1
FAMILY SEAL,AC,3PH,PE16



TE Part #2-2208378-2
DIA 3MM CON, CONTACT



Documents

Product Drawings

[MCP COVER ASSY32P](#)

English

CAD Files

Customer View Model

[ENG_CVM_1534184-1_C1.3d_igs.zip](#)

English

Customer View Model

[ENG_CVM_1534184-1_C1.3d_stp.zip](#)

English

Customer View Model

[ENG_CVM_1534184-1_C1.2d_dxf.zip](#)

English

[3D PDF](#)

English

By downloading the CAD file I accept and agree to the [Terms and Conditions](#) of use.

Product Specifications

[Application Specification](#)

English