

[Find by Feature](#)[Browse by Category](#)[Share](#)
Enter part number or keyword[Search →](#)[Search Results \(0\)](#)[Search Options](#)

Select a product type to narrow your search:

Mounting Device ▾

Results with your selections: --

Component Type ▾

Component Feature ▾

Fastening Type ▾

Hole diameter [mm] ▾

Bundle size [mm] ▾

Stud Size ▾

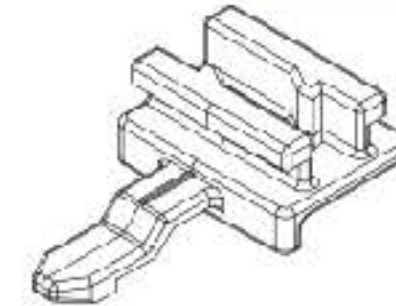
Conduit Size [mm] ▾

Color ▾

Material ▾

[Clear](#)[Search →](#)

Special Attachment Clip Part #15336159



Question about this product?

[Attributes](#)[Documents \(2\)](#)

Part #:	15336159
Description:	Special Attachment Clip
Product Type:	Mounting Device
Status:	Active
Component Type:	Attachment Clip
Component Feature:	Special
Length [mm]:	28.70
Color:	Black
Material:	Nylon
Weight [g]:	1.01
ELV compliant:	Yes
RoHS compliant:	Yes

Certain products listed on this website may be subject to restricted usage or distribution or may not be available. For additional information, please contact your local sales office.