

Valve connectors - SACC-V-3CON-PG9/A-GVL 200/240



1533301

<https://www.phoenixcontact.com/de/produkte/1533301>

Please be informed that the data shown in this PDF document is generated from our Online Catalog. Please find the complete data in the user documentation. Our General Terms of Use for Downloads are valid.



Valve connectors, 3-position, Valve connector A, Screw connection, cable gland Pg9, external cable diameter 6 mm ... 8 mm

Commercial Data

| | |
|--------------------------------------|-------------------------|
| Item number | 1533301 |
| Packing unit | 1 pc |
| Minimum order quantity | 1 pc |
| Sales Key | C1 - Sensor-Aktor-Kabel |
| Product Key | BF2DAA |
| GTIN | 4046356025997 |
| Weight per Piece (including packing) | 31,9 g |
| Weight per Piece (excluding packing) | 31,9 g |
| Customs tariff number | 85366990 |
| Country of origin | HU |

Valve connectors - SACC-V-3CON-PG9/A-GVL 200/240



1533301

<https://www.phoenixcontact.com/de/produkte/1533301>

Technical Data

Notes

Assembly instruction:

NOTE: Observe the permissible bending radii when laying conductors, since the degree of protection may be put in jeopardy if the bending forces are too high. Alleviate mechanical loads upstream of the connector, e.g. by using cable ties.

Product properties

| | |
|----------------------|-----------------|
| Product type | Valve connector |
| Number of positions | 3 |
| No. of cable outlets | 1 |
| Shielded | no |
| Pg screw connection | Pg9 |

Insulation characteristics

| | |
|----------------------|----|
| Overvoltage category | II |
| Degree of pollution | 3 |

Material specifications

| | |
|--|------|
| Flammability rating according to UL 94 | HB |
| Sealing material | NBR |
| Material housing valve plug | PA6 |
| Contact material | CuZn |
| Valve plug contact insert material | PA6 |
| Contact surface material | Ni |

Dimensions

External dimensions

| | |
|------------------|---------------|
| Outside diameter | 6 mm ... 8 mm |
|------------------|---------------|

Electrical properties

| | |
|-----------------------|--|
| Contact resistance | ≤ 15 mΩ |
| Insulation resistance | > 100 MΩ |
| Nominal voltage U_N | 240 V AC |
| | 240 V DC |
| Nominal current I_N | 2 A |
| Protective circuit | Surge protection; Varistor and rectifier |

Mechanical properties

Mechanical data

| | |
|-----------------------------|----------------------|
| Insertion/withdrawal cycles | 50 (Valve connector) |
|-----------------------------|----------------------|

LED signaling

Valve connectors - SACC-V-3CON-PG9/A-GVL 200/240



1533301

<https://www.phoenixcontact.com/de/produkte/1533301>

| | |
|------------------------|-------|
| Status display | 1 LED |
| Status display present | yes |

Connection data

| | |
|------------------------------|--|
| Connection method | Screw connection |
| Conductor cross section | 0.34 mm ² ... 1.5 mm ² |
| Connection cross section AWG | 22 ... 16 |

Connector

Connection 1

| | |
|------------------|-----------------|
| Head design | Valve connector |
| Head thread type | A |

Environmental and real-life conditions

Ambient conditions

| | |
|---------------------------------|-------------------------------|
| Degree of protection | IP65 |
| Ambient temperature (operation) | -25 °C ... 85 °C (valve plug) |

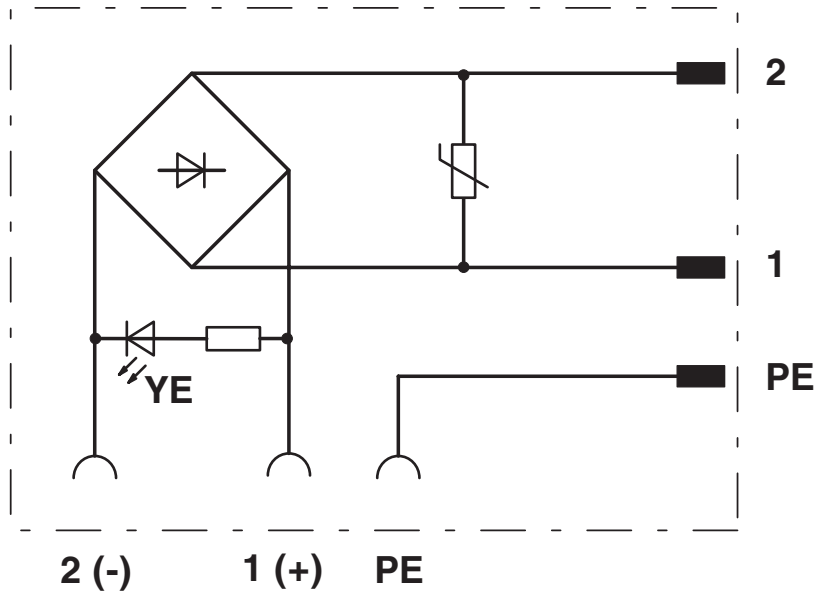
Valve connectors - SACC-V-3CON-PG9/A-GVL 200/240

1533301

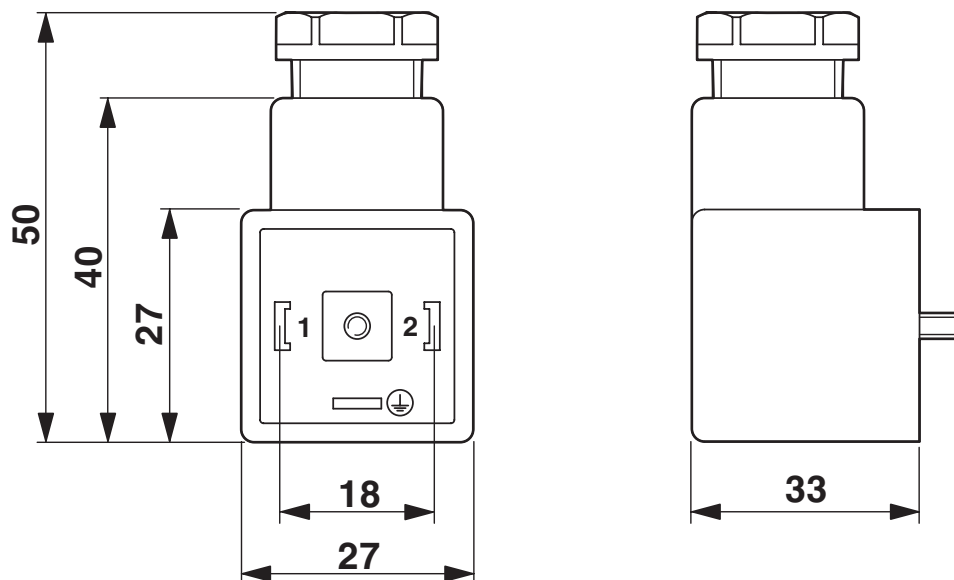
<https://www.phoenixcontact.com/de/produkte/1533301>

Drawings

Circuit diagram



Dimensional drawing



Valve connectors - SACC-V-3CON-PG9/A-GVL 200/240



1533301

<https://www.phoenixcontact.com/de/produkte/1533301>

Approvals



EAC

Approval ID: RU C-DE.BL08.B.00511

Valve connectors - SACC-V-3CON-PG9/A-GVL 200/240



1533301

<https://www.phoenixcontact.com/de/produkte/1533301>

Classifications

ECLASS

| | |
|---------------|----------|
| ECLASS-9.0 | 27440105 |
| ECLASS-10.0.1 | 27440105 |
| ECLASS-11.0 | 27440105 |

ETIM

| | |
|----------|----------|
| ETIM 8.0 | EC003623 |
|----------|----------|

UNSPSC

| | |
|-------------|----------|
| UNSPSC 21.0 | 31251500 |
|-------------|----------|

Valve connectors - SACC-V-3CON-PG9/A-GVL 200/240



1533301

<https://www.phoenixcontact.com/de/produkte/1533301>

Environmental Product Compliance

| | |
|------------|--|
| REACH SVHC | Lead 7439-92-1 |
| China RoHS | Environmentally Friendly Use Period = 50 years |
| | For information on hazardous substances, refer to the manufacturer's declaration available under "Downloads" |

Phoenix Contact 2022 © - all rights reserved

<https://www.phoenixcontact.com>

PHOENIX CONTACT Deutschland GmbH

Flachsmarktstraße 8

D-32825 Blomberg

+49 52 35/3-1 20 00

info@phoenixcontact.de