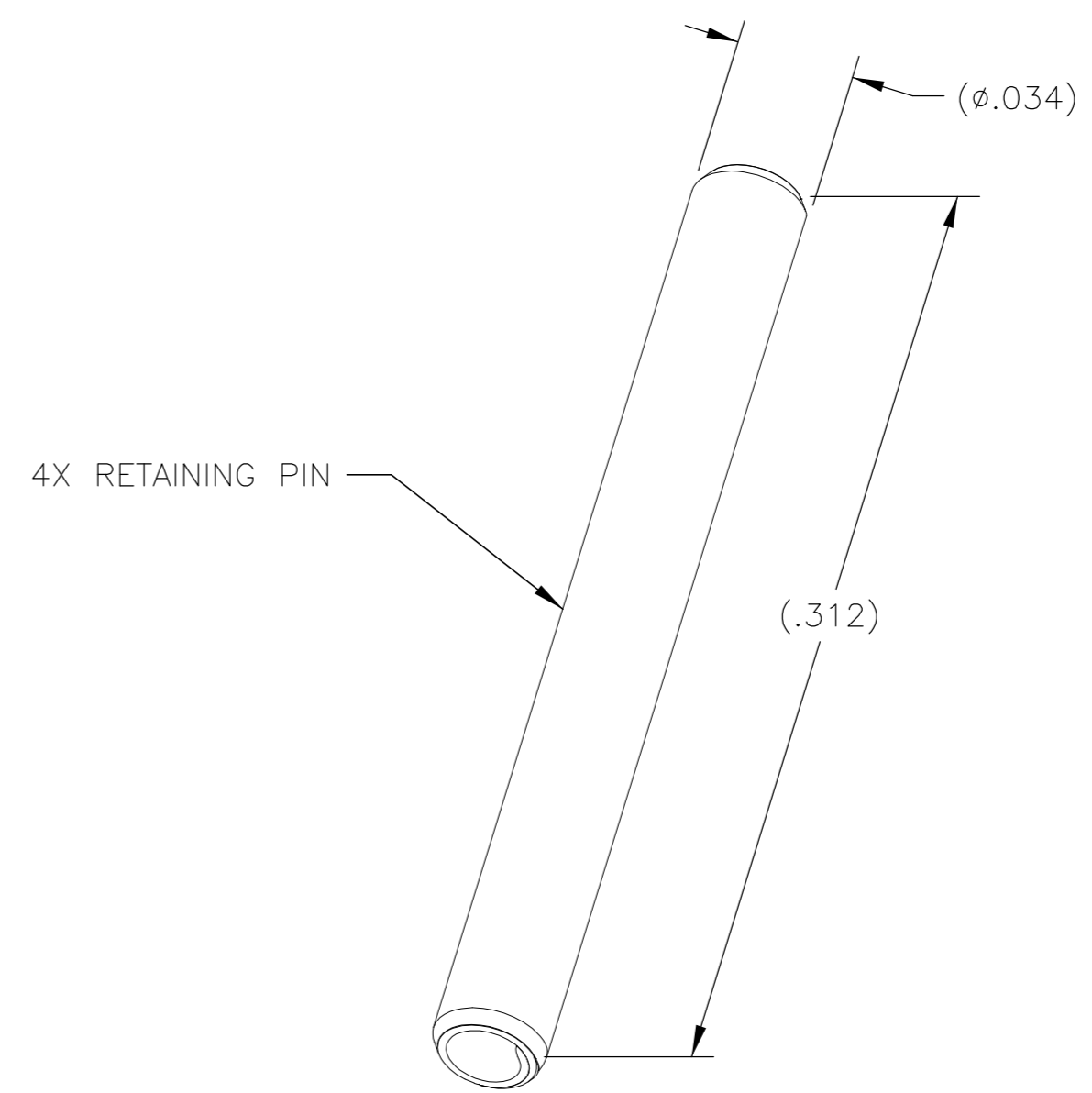
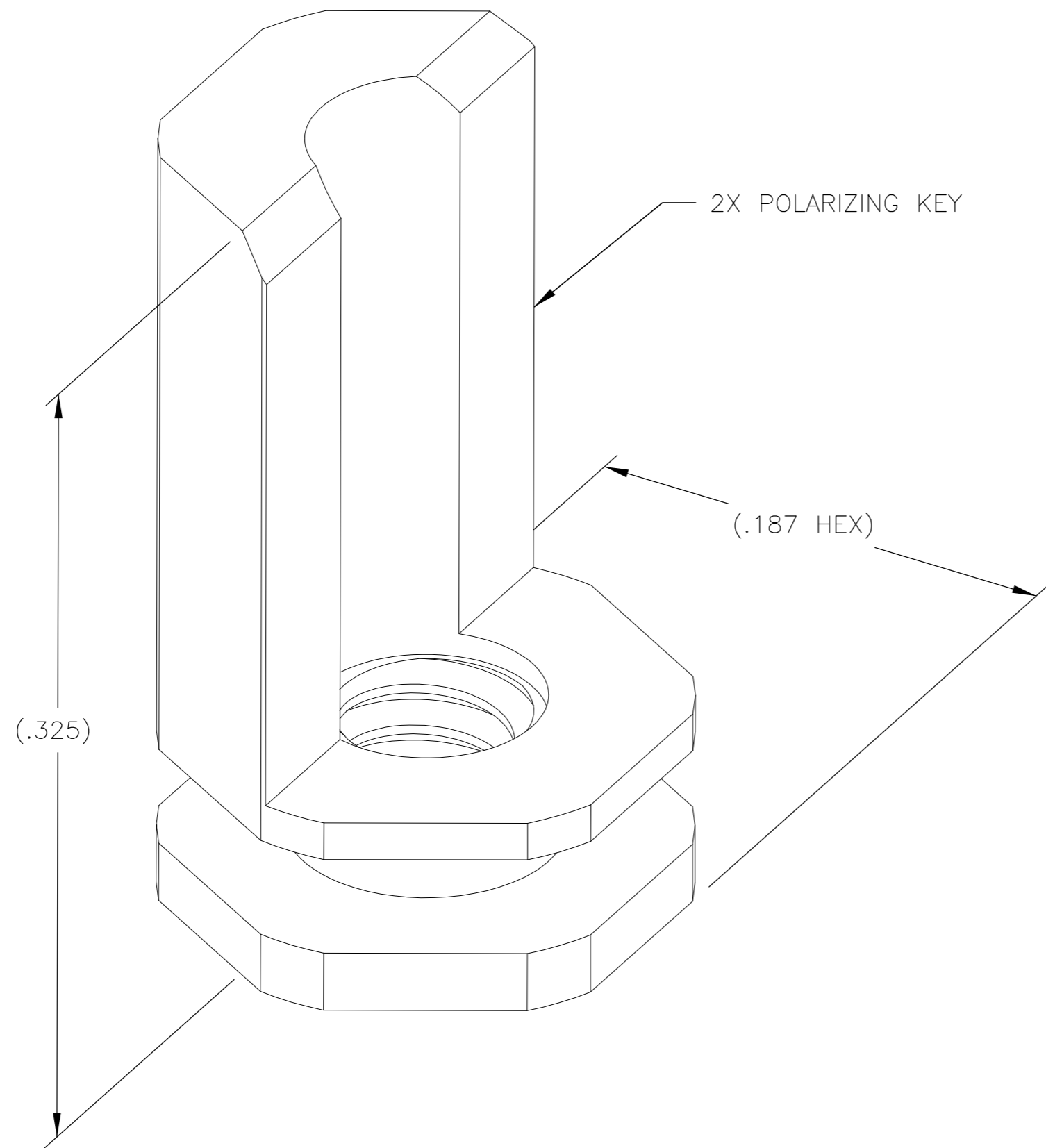


THIS DRAWING IS UNPUBLISHED. RELEASED FOR PUBLICATION
 © COPYRIGHT - By - ALL RIGHTS RESERVED.

LOC		DIST		REVISIONS			
P	LTR	DESCRIPTION		DATE	DWN	APVD	
	B1	REVISE PER ECO-12-018179		15OCT2012	CEP	CEP	



THIS DRAWING IS A CONTROLLED DOCUMENT.		DWN	L. MATEO	21APR1987	 TE Connectivity																		
DIMENSIONS: INCHES		CHK	E. H.	22APR1987																			
TOLERANCES UNLESS OTHERWISE SPECIFIED:		APVD	L. EATON	24APR1987																			
<table border="0"> <tr><td>0 PLC</td><td>±</td><td>-</td></tr> <tr><td>1 PLC</td><td>±</td><td>-</td></tr> <tr><td>2 PLC</td><td>±</td><td>.02</td></tr> <tr><td>3 PLC</td><td>±</td><td>.005</td></tr> <tr><td>4 PLC</td><td>±</td><td>-</td></tr> <tr><td>ANGLES</td><td>±</td><td>-</td></tr> </table>		0 PLC	±	-		1 PLC	±	-	2 PLC	±	.02	3 PLC	±	.005	4 PLC	±	-	ANGLES	±	-	PRODUCT SPEC	NAME	
0 PLC	±	-																					
1 PLC	±	-																					
2 PLC	±	.02																					
3 PLC	±	.005																					
4 PLC	±	-																					
ANGLES	±	-																					
MATERIAL		APPLICATION SPEC	SIZE		RESTRICTED TO																		
FINISH		WEIGHT	A2 98278		DRAWING NO 1532129-4																		
		CUSTOMER DRAWING	SCALE 20:1			SHEET 1 of 1 REV B1																	