



Extract from the online catalog

SAC-3P- 4,0-400/MINFR

Order No.: 1532111



<http://eshop.phoenixcontact.de/phoenix/treeViewClick.do?UID=1532111>

Sensor/actuator cable, 3-pos., yellow PVC, angled 7/8"-16UNF socket on the free conductor end, length: 4 m

Commercial data	
EAN	4046356025171
Pack	1 pcs.
Customs tariff	85444290
Weight/Piece	0.2715 KG
Catalog page information	Page 102 (PC-2007)

Product notes

WEEE/RoHS-compliant since:
03/23/2006



<http://www.download.phoenixcontact.com>
Please note that the data given here has been taken from the online catalog. For comprehensive information and data, please refer to the user documentation. The General Terms and Conditions of Use apply to Internet downloads.

Technical data

General data	
Nominal current I_N	10 A
Nominal voltage U_N	300 V
Number of positions	3
Volume resistance	$\leq 5 \text{ m}\Omega$
Insulation resistance	$\geq 10 \text{ M}\Omega$

SAC-3P- 4,0-400/MINFR Order No.: 1532111
http://eshop.phoenixcontact.de/phoenix/treeViewClick.do?UID=1532111

Length of cable	4 m
Ambient temperature (operation)	-25 °C ... 80 °C (plug/socket)
	-10 °C ... 105 °C (cable, fixed installation)
	-5 °C ... 105 °C (cable, flexible installation)

General characteristics

Inflammability class acc. to UL 94	HB
Surge voltage category	II
Pollution degree	2
Degree of protection	IP68
Contact material	CuSn
Contact surface material	Au
Contact carrier material	PUR
Material of grip body	PUR
Material, knurls	Nickel-plated brass
Status display	No
Test voltage	2500 V

Conductor data

Cable type	PVC yellow 105 °C
Conductor cross section	0.75 mm ²
AWG signal line	18
Conductor structure, signal line	41x 0.16 mm
External cable diameter	5.80 mm
Wire colors	Brown, blue, black
External sheath, color	Yellow RAL 1021

Certificates / Approvals



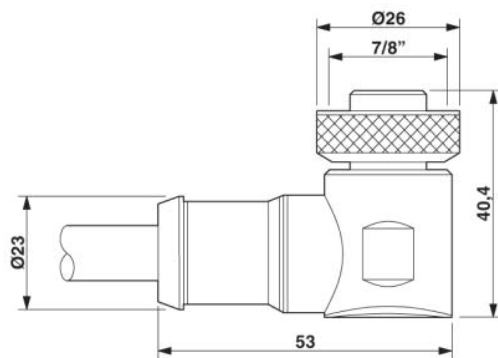
Certification

CUL Listed, UL Listed

SAC-3P- 4,0-400/MINFR Order No.: 1532111
<http://eshop.phoenixcontact.de/phoenix/treeViewClick.do?UID=1532111>

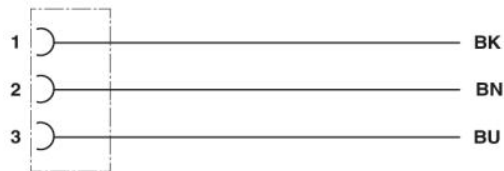
Drawings

Dimensioned drawing



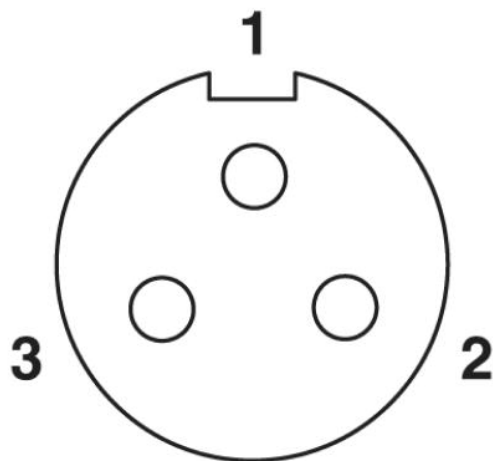
7/8"-16UNF socket, angled

Circuit diagram



Contact assignment of 7/8" plugs/sockets, cable type 400

Schematic diagram



Pin assignment, socket, 7/8"-16UNF, 3-pos., view of female side

SAC-3P- 4,0-400/MINFR Order No.: 1532111
<http://eshop.phoenixcontact.de/phoenix/treeViewClick.do?UID=1532111>

Address

PHOENIX CONTACT GmbH & Co. KG
Flachsmarktstr. 8
32825 Blomberg, Germany
Phone +49 5235 3 00
Fax +49 5235 3 41200
<http://www.phoenixcontact.de>



© 2009 Phoenix Contact
Technical modifications reserved;

onlinecomponents.com