


SAC-4P- 5,0-PUR/M5FR

Order No.: 1530566



<http://eshop.phoenixcontact.de/phoenix/treeViewClick.do?UID=1530566>

Sensor/Actuator cable, 4-position, PUR, Black RAL 9005, Free conductor end, on Socket, angled M5, A-coded, Cable length: 5 m

Commercial data	
GTIN (EAN)	
sales group	D131
Pack	1 pcs.
Customs tariff	85444290
Catalog page information	Page 116 (PC-2011)

Product notes

WEEE/RoHS-compliant since: 11/23/2005



<http://www.download.phoenixcontact.com>
Please note that the data given here has been taken from the online catalog. For comprehensive information and data, please refer to the user documentation. The General Terms and Conditions of Use apply to Internet downloads.

Technical data	
General data	
Rated current at 40°C	1 A
Rated voltage	125 V
Number of positions	4
Volume resistance	≤ 3 mΩ
Insulation resistance	≥ 10 GΩ

Length of cable	5 m
Ambient temperature (operation)	-25 °C ... 80 °C (Male connector / female connector)

General characteristics

Standards/regulations	M5 connector IEC 61076-2-105
Coding	A - standard
Surge voltage category	II
Pollution degree	3
Degree of protection	IP65/IP67
Insertion/withdrawal cycles	≥ 100
Contact material	CuSn
Contact surface material	Au
Contact carrier material	PUR
Material of grip body	PUR
Material, knurls	Nickel-plated brass
Sealing material	NBR
Status display	No
Test voltage	1750 V

Conductor data

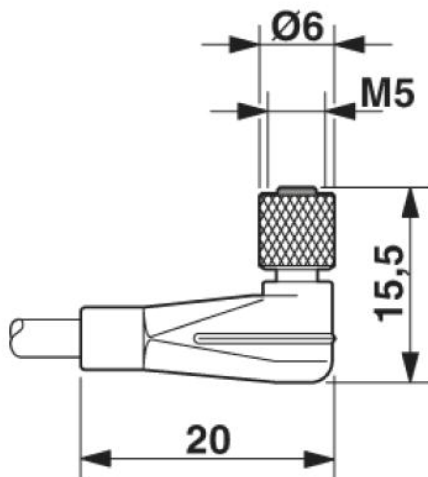
Cable type	PUR/PVC black
Conductor cross section	0.14 mm ²
AWG signal line	26
Conductor structure signal line	18x 0.10 mm
Core diameter including insulation	0.92 mm ±0.02 mm
External cable diameter	3.50 mm
Wire colors	Black, brown, blue, white
External sheath, color	Black RAL 9005
Insulation resistance	100 MΩ*km
Conductor resistance	148 mΩ/m
Nominal voltage, conductor	100 V
Test voltage, conductor	800 V _{rms}
Overall twist	4 wires, twisted
Outer sheath, material	PUR
Material conductor insulation	PVC
Conductor material	Bare Cu litz wires

Smallest bending radius, fixed installation	9 mm
Smallest bending radius, movable installation	18 mm
Ambient temperature (operation)	-25 °C ... 80 °C (cable, fixed installation)
	-5 °C ... 80 °C (cable, flexible installation)

Diagrams/Drawings

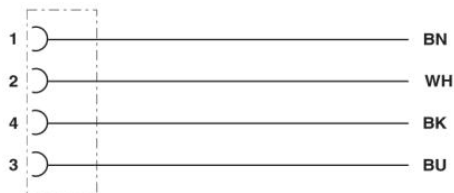
Dimensioned drawing

Socket M5 x 0.5, angled



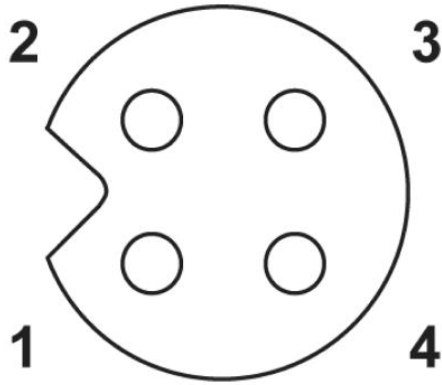
Circuit diagram

Contact assignment of the M5 socket



Schematic diagram

Socket M5, 4-pos.



Address

PHOENIX CONTACT Inc., USA
586 Fulling Mill Road
Middletown, PA 17057, USA
Phone (800) 888-7388
Fax (717) 944-1625
<http://www.phoenixcon.com>



© 2011 Phoenix Contact
Technical modifications reserved;