

152895 ✓ ACTIVE

PIDG

TE Internal #: 152895

PIDG, Rings & Spades, Ring Tongue, 20 AWG, .41 – .65 mm², 810 – 1290 CMA, M3.5 / #6, Stud Diameter 3.6 mm [.142 in], Tongue Thickness .79 mm [.031 in]

[View on TE.com >](#)



Terminals & Splices > Rings & Spades



Terminal & Splice Type: **Ring Tongue**

Wire Size: **810 – 1290 CMA**

Stud Size: **#6, M3.5**

Features

Product Type Features

Shape Description	RING-041
Stud Size	#6, M3.5
Barrel Type	Closed Barrel
Sealable	No
Insulated	Yes
Wire/Cable Type	Regular Wire
Support Style	Non - Insulation Support

Configuration Features

Number of Holes	1
Terminal Angle	Straight

Electrical Characteristics

Voltage (Max)	300 V
---------------	-------

Body Features

Inspection Slot	No
Insulation Sleeve Color	Purple
Weight per Piece	4.535 g
Plating Material	Tin

Contact Features

Terminal & Splice Type	Ring Tongue
------------------------	-------------



Terminal Orientation	Straight
----------------------	----------

Mechanical Attachment

Wire Insulation Support	With
-------------------------	------

Dimensions

Wire Size	810 – 1290 CMA
Stud Diameter	3.6 mm [.142 in]
Tongue Thickness	.79 mm [.031 in]
Overall Length	19.99 mm [.786 in]
Wire Insulation Diameter (Max)	2.03 mm [.08 in]
Wire Insulation Diameter	1.14 – 2.03 mm [.045 – .08 in]

Usage Conditions

Operating Temperature Range	105 °C [221 °F]
-----------------------------	-----------------

Operation/Application

Heavy Duty	No
------------	----

Industry Standards

Government Qualified	No
----------------------	----

Packaging Features

Packaging Quantity	1000
Packaging Method	Loose Piece

Product Compliance

[For compliance documentation, visit the product page on TE.com>](#)

EU RoHS Directive 2011/65/EU	Compliant
EU ELV Directive 2000/53/EC	Compliant
China RoHS 2 Directive MIIT Order No 32, 2016	No Restricted Materials Above Threshold
EU REACH Regulation (EC) No. 1907/2006	Current ECHA Candidate List: JAN 2020 (205) Candidate List Declared Against: JUL 2017 (174) Does not contain REACH SVHC
EU REACH Regulation (EC) No. 1907/2006	Current ECHA Candidate List: JAN 2020 (205) Candidate List Declared Against: JUL 2017 (174)
Halogen Content	Low Halogen - Br, Cl, F, I < 900 ppm per



homogenous material. Also BFR/CFR/PVC Free

Solder Process Capability

Not applicable for solder process capability

Product Compliance Disclaimer

This information is provided based on reasonable inquiry of our suppliers and represents our current actual knowledge based on the information they provided. This information is subject to change. The part numbers that TE has identified as EU RoHS compliant have a maximum concentration of 0.1% by weight in homogenous materials for lead, hexavalent chromium, mercury, PBB, PBDE, DBP, BBP, DEHP, DIBP, and 0.01% for cadmium, or qualify for an exemption to these limits as defined in the Annexes of Directive 2011/65/EU (RoHS2). Finished electrical and electronic equipment products will be CE marked as required by Directive 2011/65/EU. Components may not be CE marked. Additionally, the part numbers that TE has identified as EU ELV compliant have a maximum concentration of 0.1% by weight in homogenous materials for lead, hexavalent chromium, and mercury, and 0.01% for cadmium, or qualify for an exemption to these limits as defined in the Annexes of Directive 2000/53/EC (ELV). Regarding the REACH Regulations, TE's information on SVHC in articles for this part number is still based on the European Chemical Agency (ECHA) 'Guidance on requirements for substances in articles' (Version: 2, April 2011), applying the 0.1% weight on weight concentration threshold at the finished product level. TE is aware of the European Court of Justice ruling of September 10th, 2015 also known as O5A (Once An Article Always An Article) stating that, in case of 'complex object', the threshold for a SVHC must be applied to both the product as a whole and simultaneously to each of the articles forming part of its composition. TE has evaluated this ruling based on the new ECHA "Guidance on requirements for substances in articles" (June 2017, version 4.0) and will be updating its statements accordingly.

Compatible Parts



TE Model / Part # 1901611-2
HT, CCII, STRATO, 24-20, SHORT



TE Model / Part # 576779
HEAVY HD HT, STRATO #20



TE Model / Part # 1901611-1
HT, CCII, STRATO, 24-20, LONG

Also in the Series | PIDG



Compression Connectors(17)



Crimp Terminal Housings(1)



Crimp Wire Pins, Tabs & Ferrules(41)



Knife Disconnects(11)



PCB Terminals(9)



Portable Crimp Tools(1)



Quick Disconnects(53)



Rings & Spades(862)



Special Purpose Terminals(1)



Splices(48)

Customers Also Bought



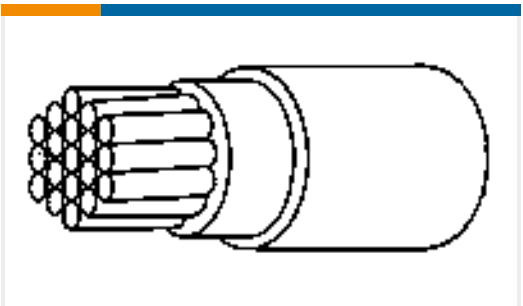
TE Model / Part #152894
20 PIDG NYLON RT NO 8 STUD



TE Model / Part #695137-000
W-095-03



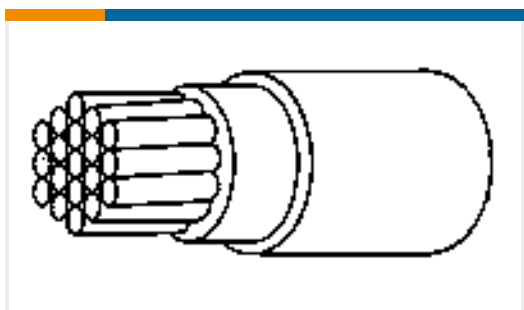
TE Model / Part #695055-000
W-095-02



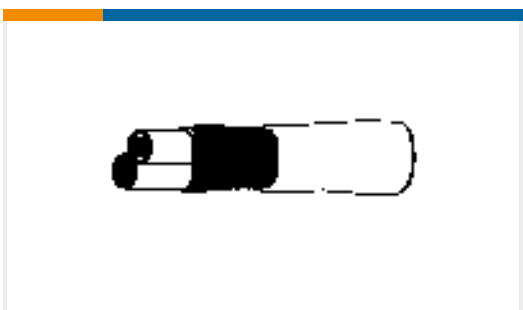
TE Model / Part #4857093001
99M0111-16-6



TE Model / Part #152892
SIZE 20 PIDG R/T NO.10 NYLON



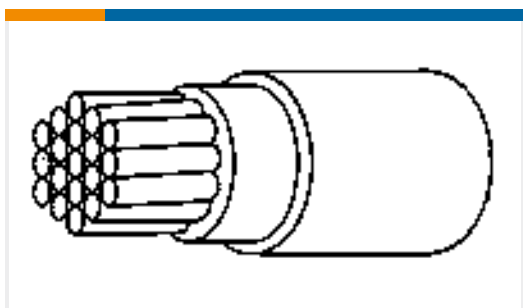
TE Model / Part #9040813001
99M0111-12-6



TE Model / Part #CQ04493001
55A1821-22-2/6-9CK5050



TE Model / Part #152882
18-16 PIDG RT NO 8 STUD ORANGE



TE Model / Part #6756673001
99M0111-16-4

Documents



Product Drawings

[20 PIDG RT NO 6 STUD PURPL](#)

English

Product Specifications

[Application Specification](#)

English

Product Environmental Compliance

[TE Material Declaration](#)

English