

Network cable - NBC-M12MSD/ 0,3-93B/M12MSD CMC



1524349

<https://www.phoenixcontact.com/pc/products/1524349>

Please be informed that the data shown in this PDF document is generated from our Online Catalog. Please find the complete data in the user documentation. Our General Terms of Use for Downloads are valid.



Network cable, PROFINET CAT5 (100 Mbps), EtherCAT® CAT5 (100 Mbps), 4-position, shielded (Advanced Shielding Technology), Plug straight M12 / IP67, coding: D, on Plug straight M12 / IP67, coding: D, cable length: 0.3 m

Commercial Data

Item number	1524349
Packing unit	1 pc
Minimum order quantity	1 pc
Product Key	BF1CJN
Catalog Page	Page 198 (C-6-2019)
GTIN	4046356021425
Weight per Piece (including packing)	60 g
Weight per Piece (excluding packing)	51 g
Customs tariff number	85444290
Country of origin	PL

Network cable - NBC-M12MSD/ 0,3-93B/M12MSD CMC



1524349

<https://www.phoenixcontact.com/pc/products/1524349>

Technical Data

Notes

General	This product corresponds to the PROFINET Cabling and Interconnection Technology Guideline for PROFINET regulations, version 2.00, order no: 2.252, Chapter 10.1 Cord Sets for Balanced Cabling
General	Further products with variable cable type and variable cable length can be found in the accessories section
General	CMC - Conductor marker carrier - PATG

Product properties

Product type	Data cable preassembled
Number of positions	4
Application	Standard
No. of cable outlets	1
Shielded	yes
Coding	D - data

Insulation characteristics

Overvoltage category	II
Degree of pollution	3

Interfaces

Bus system	PROFINET
Signal type/category	PROFINET CAT5 (IEC 11801), 100 Mbps EtherCAT [®] CAT5 (IEC 11801), 100 Mbps

LED signaling

Status display	No
Status display present	No

Electrical properties

Nominal voltage U_N	48 V AC
	60 V DC
Nominal current I_N	4 A
Transmission medium	Copper

Material specifications

Flammability rating according to UL 94	V0
--	----

Connector

Connection 1

Type	Plug straight M12 / IP67
Number of positions	4

Network cable - NBC-M12MSD/ 0,3-93B/M12MSD CMC



1524349

<https://www.phoenixcontact.com/pc/products/1524349>

Coding type	D (Data)
Handle color	black
Material	CuSn (Contact)
	Ni/Au (Contact surface)
	PA (Contact carriers)
	TPU, hardly inflammable, self-extinguishing (Grip)
	Zinc die-cast, nickel-plated (Screw connection)
	FKM (Seal)
Insertion/withdrawal cycles	≥ 100
Contact resistance	≤ 5 mΩ
Insulation resistance	≥ 100 MΩ
Tightening torque	0.4 Nm
Degree of protection	IP67
Ambient temperature (operation)	-25 °C ... 90 °C


Connection 2

Type	Plug straight M12 / IP67
Number of positions	4
Coding type	D (Data)
Handle color	black
Material	CuSn (Contact)
	Ni/Au (Contact surface)
	PA (Contact carriers)
	TPU, hardly inflammable, self-extinguishing (Grip)
	Zinc die-cast, nickel-plated (Screw connection)
	FKM (Seal)
Insertion/withdrawal cycles	≥ 100
Contact resistance	≤ 5 mΩ
Insulation resistance	≥ 100 MΩ
Tightening torque	0.4 Nm
Ambient temperature (operation)	-25 °C ... 90 °C

Cable / line

Cable length	0.3 m
--------------	-------

PROFINET PVC stranded CAT5 [93B]

Dimensional drawing	
Cable weight	67 kg/km

Network cable - NBC-M12MSD/ 0,3-93B/M12MSD CMC



1524349

<https://www.phoenixcontact.com/pc/products/1524349>

UL AWM Style	21694
Number of positions	4
Shielded	yes
Cable type	PROFINET PVC stranded CAT5 [93B]
Conductor structure	1x4xAWG22/7; SF/TQ
Signal runtime	5.3 ns/m
Signal speed	0.66 c
Conductor structure signal line	7x 0.25 mm
AWG signal line	22
Conductor cross section	4x 0.34 mm ²
Wire diameter incl. insulation	1.55 mm
External cable diameter	6.5 mm ±0.2 mm
Outer sheath, material	PVC
External sheath, color	green RAL 6018
Conductor material	Tin-plated Cu litz wires
Material wire insulation	PE
Single wire, color	White, yellow, blue, orange
Thickness, outer sheath	approx. 0.9 mm
Overall twist	Star quad
Optical shield covering	85 %
Insulation resistance	≥ 500 MΩ*km
Coupling resistance	≤ 20.00 mΩ/m (at 10 MHz)
Loop resistance	≤ 120.00 Ω/km
Wave impedance	100 Ω ±15 Ω (at 100 MHz)
Nominal voltage, cable	600 V
Test voltage Core/Core	2000 V (50 Hz, 1 min.)
Test voltage Core/Shield	2000 V (50 Hz, 1 min.)
Minimum bending radius, fixed installation	3 x D
Minimum bending radius, flexible installation	7 x D
Near end crosstalk attenuation (NEXT)	80 dB (with 1 MHz)
	76 dB (at 4 MHz)
	70 dB (at 10 MHz)
	65 dB (at 16 MHz)
	63 dB (at 20 MHz)
	60 dB (at 31.25 MHz)
	55 dB (at 62.5 MHz)
	50 dB (at 100 MHz)
Shield attenuation	2.1 dB (with 1 MHz)
	4 dB (at 4 MHz)
	6.3 dB (at 10 MHz)
	8 dB (at 16 MHz)
	9 dB (at 20 MHz)
	11.4 dB (at 31.25 MHz)
	16.5 dB (at 62.5 MHz)

Network cable - NBC-M12MSD/ 0,3-93B/M12MSD CMC



1524349

<https://www.phoenixcontact.com/pc/products/1524349>

	21.3 dB (at 100 MHz)
Flame resistance	according to UL 1685 (CSA FT 4)
Resistance to oil	Resistant to oil to a limited extent
Other resistance	UV resistant According to UL 1581, Section 1200
Ambient temperature (operation)	-40 °C ... 70 °C (cable, fixed installation)
	-40 °C ... 70 °C (Cable, flexible installation)
Ambient temperature (installation)	-20 °C ... 60 °C

Ambient conditions

Degree of protection	IP65
	IP67

Standards and regulations

M12

Standards/specifications	IEC 61076-2-101
--------------------------	-----------------

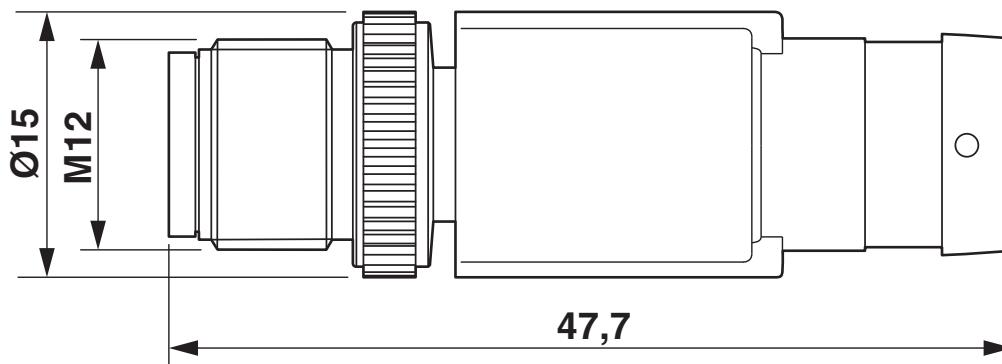
Network cable - NBC-M12MSD/ 0,3-93B/M12MSD CMC

1524349

<https://www.phoenixcontact.com/pc/products/1524349>

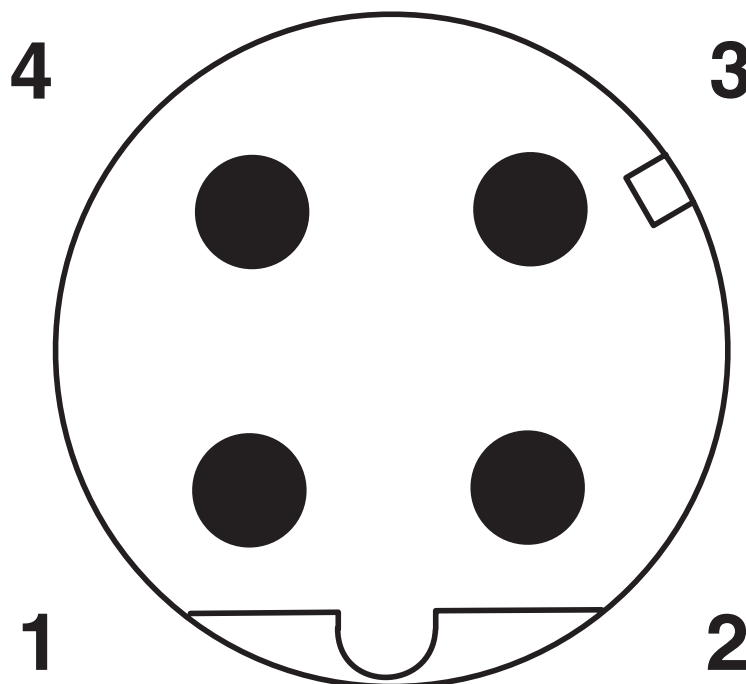
Drawings

Dimensional drawing



Plug, M12 x 1, straight, shielded

Schematic diagram



Pin assignment M12 male connector, 4-pos., D-coded, male side

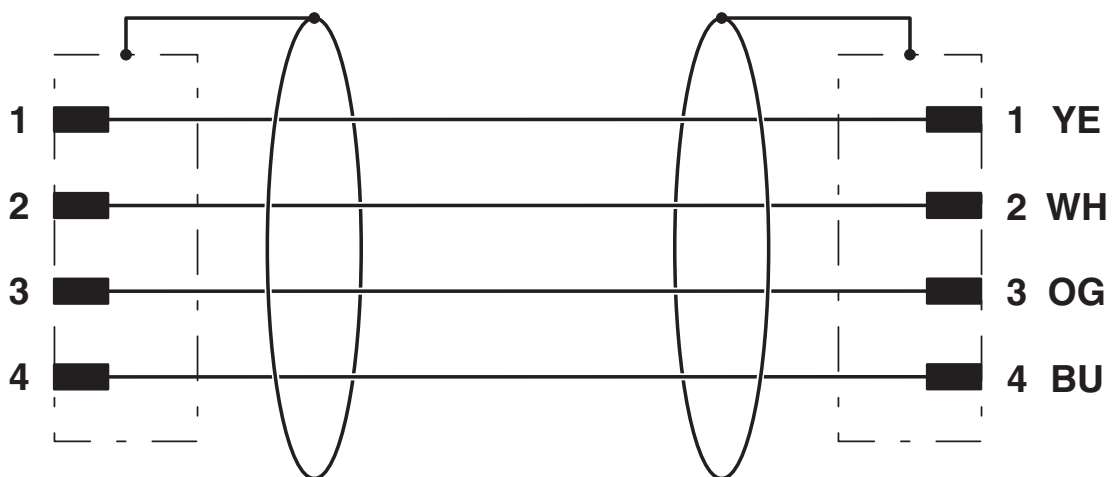
Network cable - NBC-M12MSD/ 0,3-93B/M12MSD CMC



1524349

<https://www.phoenixcontact.com/pc/products/1524349>

Circuit diagram



Network cable - NBC-M12MSD/ 0,3-93B/M12MSD CMC



1524349

<https://www.phoenixcontact.com/pc/products/1524349>

Approvals



EAC

Approval ID: RU C-DE.BL08.B.00286



EAC

Approval ID: RU D-DE.HB35.B.00387

Network cable - NBC-M12MSD/ 0,3-93B/M12MSD CMC



1524349

<https://www.phoenixcontact.com/pc/products/1524349>

Classifications

ECLASS

ECLASS-9.0	27060308
ECLASS-10.0.1	27060308
ECLASS-11.0	27060307

ETIM

ETIM 8.0	EC001855
----------	----------

UNSPSC

UNSPSC 21.0	26121600
-------------	----------

Network cable - NBC-M12MSD/ 0,3-93B/M12MSD CMC



1524349

<https://www.phoenixcontact.com/pc/products/1524349>

Environmental Product Compliance

China RoHS	Environmentally friendly use period: unlimited = EFUP-e
	No hazardous substances above threshold values

Network cable - NBC-M12MSD/ 0,3-93B/M12MSD CMC



1524349

<https://www.phoenixcontact.com/pc/products/1524349>

Accessories

Network cable

Network cable - NBC-MSD-MSD SCO-PN/.../... - 1408634

<https://www.phoenixcontact.com/pc/products/1408634>



Network cable, PROFINET CAT5 (100 Mbps), EtherCAT® CAT5 (100 Mbps), 4-position, Variable cable type, shielded, Plug straight M12 SPEEDCON / IP67, coding: D, on Plug straight M12 SPEEDCON / IP67, coding: D, cable length: Free input (0.2 ... 40.0 m)

Network cable

Network cable - NBC-MSD-MRD SCO-PN/.../... - 1408625

<https://www.phoenixcontact.com/pc/products/1408625>



Network cable, PROFINET CAT5 (100 Mbps), EtherCAT® CAT5 (100 Mbps), 4-position, Variable cable type, shielded, Plug straight M12 SPEEDCON / IP67, coding: D, on Plug angled M12 SPEEDCON / IP67, coding: D, cable length: Free input (0.2 ... 40.0 m)

Network cable - NBC-M12MSD/ 0,3-93B/M12MSD CMC



1524349

<https://www.phoenixcontact.com/pc/products/1524349>

Network cable

Network cable - NBC-MRD-MRD SCO-PN/.../... - 1408624

<https://www.phoenixcontact.com/pc/products/1408624>



Network cable, PROFINET CAT5 (100 Mbps), EtherCAT[®] CAT5 (100 Mbps), 4-position, Variable cable type, shielded, Plug angled M12 SPEEDCON / IP67, coding: D, on Plug angled M12 SPEEDCON / IP67, coding: D, cable length: Free input (0.2 ... 40.0 m)

Network cable

Network cable - NBC-MSD-FSD SCO-PN/.../... - 1408617

<https://www.phoenixcontact.com/pc/products/1408617>



Network cable, PROFINET CAT5 (100 Mbps), EtherCAT[®] CAT5 (100 Mbps), 4-position, Variable cable type, shielded, Plug straight M12 SPEEDCON / IP67, coding: D, on Socket straight M12 SPEEDCON / IP67, coding: D, cable length: Free input (0.2 ... 40.0 m)

Network cable - NBC-M12MSD/ 0,3-93B/M12MSD CMC



1524349

<https://www.phoenixcontact.com/pc/products/1524349>

Network cable

Network cable - NBC-MSD-FRD SCO-PN/.../... - 1408608

<https://www.phoenixcontact.com/pc/products/1408608>



Network cable, PROFINET CAT5 (100 Mbps), EtherCAT[®] CAT5 (100 Mbps), 4-position, Variable cable type, shielded, Plug straight M12 SPEEDCON / IP67, coding: D, on Socket angled M12 SPEEDCON / IP67, coding: D, cable length: Free input (0.2 ... 40.0 m)

Network cable

Network cable - NBC-MRD-FSD SCO-PN/.../... - 1408616

<https://www.phoenixcontact.com/pc/products/1408616>



Network cable, PROFINET CAT5 (100 Mbps), EtherCAT[®] CAT5 (100 Mbps), 4-position, Variable cable type, shielded, Plug angled M12 SPEEDCON / IP67, coding: D, on Socket straight M12 SPEEDCON / IP67, coding: D, cable length: Free input (0.2 ... 40.0 m)

Network cable - NBC-M12MSD/ 0,3-93B/M12MSD CMC

1524349

<https://www.phoenixcontact.com/pc/products/1524349>

Network cable

Network cable - NBC-MRD-FRD SCO-PN/.../... - 1408607

<https://www.phoenixcontact.com/pc/products/1408607>



Network cable, PROFINET CAT5 (100 Mbps), EtherCAT® CAT5 (100 Mbps), 4-position, Variable cable type, shielded, Plug angled M12 SPEEDCON / IP67, coding: D, on Socket angled M12 SPEEDCON / IP67, coding: D, cable length: Free input (0.2 ... 40.0 m)

Torque screwdriver

Torque screwdriver - TSD 04 SAC - 1208429

<https://www.phoenixcontact.com/pc/products/1208429>



Torque screwdriver, with preset torque of 0.4 Nm and 4 mm hexagonal drive for M12 connectors

Network cable - NBC-M12MSD/ 0,3-93B/M12MSD CMC



1524349

<https://www.phoenixcontact.com/pc/products/1524349>

Torque screwdriver

Torque screwdriver - TSD-M 1,2NM - 1212224

<https://www.phoenixcontact.com/pc/products/1212224>



Torque screw driver, accuracy as per EN ISO 6789 standard, adjustable from 0.3 - 1.2 Nm

Adapter insert

Adapter insert - TSD-M SAC-BIT ADAPTER - 1212600

<https://www.phoenixcontact.com/pc/products/1212600>



Adapter bit for TSD-M...torque tools, E6.3-1/4" drive with 4 mm hexagon to accommodate SAC bits

Network cable - NBC-M12MSD/ 0,3-93B/M12MSD CMC



1524349

<https://www.phoenixcontact.com/pc/products/1524349>

Tool

Tool - SAC BIT M12-D15 - 1208432

<https://www.phoenixcontact.com/pc/products/1208432>



Nut for assembling sensor/actuator cables with M12 connector and M12 connectors for assembly, with a knurl diameter of 15 mm, for 4 mm hexagonal drive

Sealing cap

Sealing cap - PROT-M12 FS-PA-CHAIN - 1430873

<https://www.phoenixcontact.com/pc/products/1430873>



M12 sealing cap made of plastic with fixing band, for sensor cables, for free M12 plugs

Network cable - NBC-M12MSD/ 0,3-93B/M12MSD CMC



1524349

<https://www.phoenixcontact.com/pc/products/1524349>

Locking clip

Locking clip - SAC-M12-EXCLIP-M - 1558988

<https://www.phoenixcontact.com/pc/products/1558988>

Locking clip for the pin side of sensor/actuator cables with M12 connector and M12 connectors for assembly, for knurl diameter: 15 mm or for Allen key with a wrench size of 14 mm, prevents the disconnection of plug-in connections without tools



Phoenix Contact 2023 © - all rights reserved

<https://www.phoenixcontact.com>

PHOENIX CONTACT GmbH & Co. KG

Flachsmarktstraße 8

D-32825 Blomberg

+49 (0) 5235-3 00

info@phoenixcontact.com