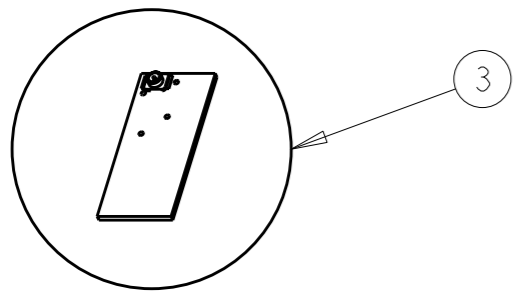
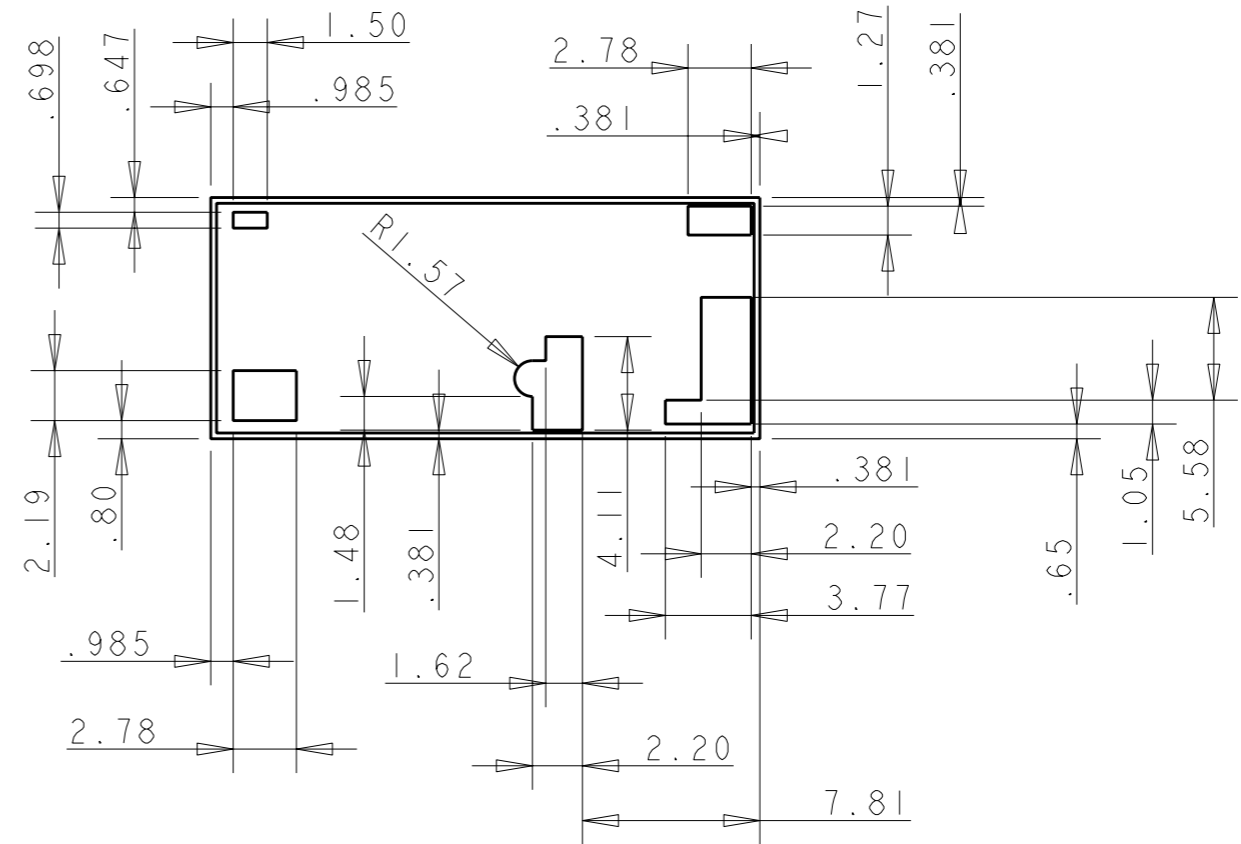
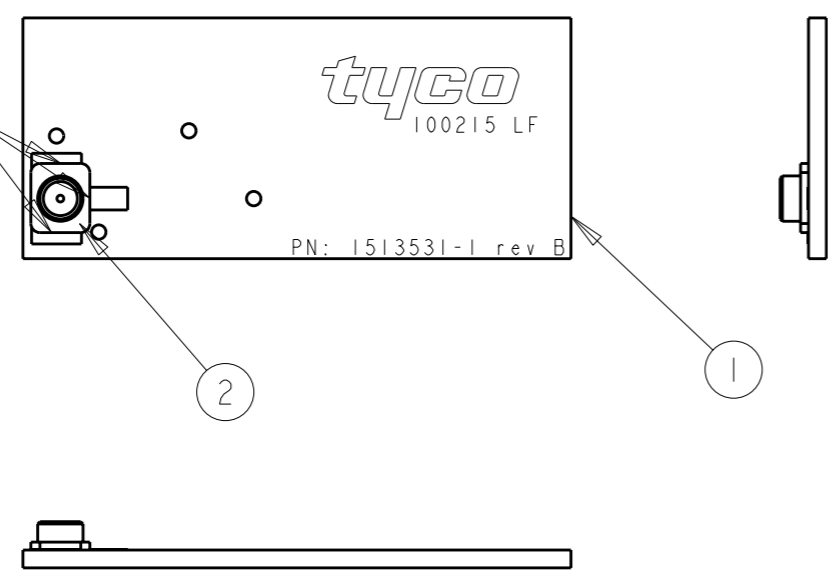


THIS DRAWING IS UNPUBLISHED. RELEASED FOR PUBLICATION 20
 © COPYRIGHT 20 BY TYCO ELECTRONICS CORPORATION. ALL RIGHTS RESERVED.

LOC	DIST	REVISIONS			
P	LTR	DESCRIPTION	DATE	DWN	APVD
HQ	00				
	1	Part number creation	26APR2005	DJL	MAH
	2	Release	26APR2005	DJL	MAH
	A	Release to production	29AUG2005	DJL	MAH
	B	Updated assembly / RoHS note	20OCT2005	DJL	MAH



SEE NOTE 2



ITEM	REMARKS	PLATING/PROCESS	MATERIAL	PART NUMBER
	PCB Assembled and Packaged	Packaging-Tape and Reel	1513531-2 1513409-1 1513410-1 1513411-1	1513531-1
3	PCB Assembled	Lead free solder	1513574-1 1513219-1	1513531-2
2	Hirose connector	-	-	1513219-1
1	PCB	-	-	1513574-1

NOTES:

- COMPONENTS AND ASSEMBLY TO BE RoHS COMPLIANT PER TYCO STANDARD 230-702.
- SOLDER LOCATIONS.

THIS INFORMATION IS CONFIDENTIAL AND PROPRIETARY

THIS DRAWING IS A CONTROLLED DOCUMENT FOR TYCO ELECTRONICS CORPORATION. IT IS SUBJECT TO CHANGE AND THE CONTROLLING ENGINEERING ORGANIZATION SHOULD BE CONTACTED FOR THE LATEST REVISION.		DWN DJL	20OCT2005	tyco Tyco Electronics Rochester, NY 14623	
DIMENSIONS: mm		CHK -	APVD -	NAME Dual Band 2.4/5 GHz Antenna (RoHS) Assembly Drawing	
TOLERANCES UNLESS OTHERWISE SPECIFIED: 0 PLC ±2.54 1 PLC ±1.27 2 PLC ±0.25 3 PLC ±0.127 4 PLC ± ANGLES ±0.5°		PRODUCT SPEC -	APPLICATION SPEC -	SIZE A3	CAGE CODE 00779
MATERIAL -	FINISH -	WEIGHT -	DRAWING NO 1513531	RESTRICTED TO -	
CUSTOMER DRAWING			SCALE 3:1	SHEET 1	OF 1
			REV B		