



Antennas



Antenna Product Type: **Antenna**

Features

Product Type Features

Antenna Product Type	Antenna
----------------------	---------

Configuration Features

Antenna Style	Stamped
---------------	---------

Electrical Characteristics

VSWR (Max)	<3:1
Impedance	50 Ω

Signal Characteristics

Gain (Max)	2 dB
Frequency Band	1880 – 1900 MHz

Body Features

Product Weight	1 g [.035 oz]
----------------	---------------

Mechanical Attachment

Polarization	Linear
--------------	--------

Dimensions

Product Diameter	16 mm [.63 in]
Product Height	6.05 mm [.238 in]

Operation/Application

Wireless Standard	DECT EU
-------------------	---------

Product Availability

Applicable Region	EU
-------------------	----

Packaging Features

Packaging Method	Tape & Reel
------------------	-------------



Product Compliance

[For compliance documentation, visit the product page on TE.com>](#)

EU RoHS Directive 2011/65/EU	Compliant
EU ELV Directive 2000/53/EC	Compliant with Exemptions
China RoHS 2 Directive MIIT Order No 32, 2016	No Restricted Materials Above Threshold
EU REACH Regulation (EC) No. 1907/2006	Current ECHA Candidate List: JUNE 2024 (241) Candidate List Declared Against: JUN 2018 (191) Does not contain REACH SVHC
Halogen Content	Low Halogen - Br, Cl, F, I < 900 ppm per homogenous material. Also BFR/CFR/PVC Free
Solder Process Capability	Reflow solder capable to 260°C

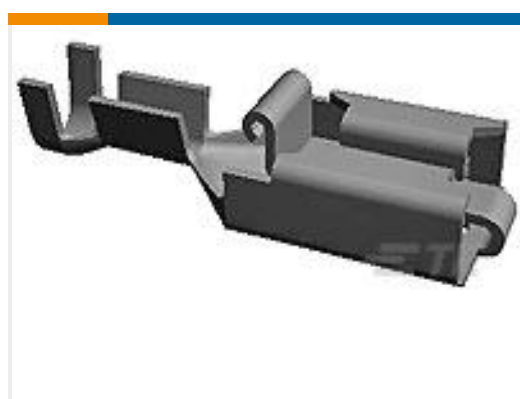
Product Compliance Disclaimer

This information is provided based on reasonable inquiry of our suppliers and represents our current actual knowledge based on the information they provided. This information is subject to change. The part numbers that TE has identified as EU RoHS compliant have a maximum concentration of 0.1% by weight in homogenous materials for lead, hexavalent chromium, mercury, PBB, PBDE, DBP, BBP, DEHP, DIBP, and 0.01% for cadmium, or qualify for an exemption to these limits as defined in the Annexes of Directive 2011/65/EU (RoHS2). Finished electrical and electronic equipment products will be CE marked as required by Directive 2011/65/EU. Components may not be CE marked. Additionally, the part numbers that TE has identified as EU ELV compliant have a maximum concentration of 0.1% by weight in homogenous materials for lead, hexavalent chromium, and mercury, and 0.01% for cadmium, or qualify for an exemption to these limits as defined in the Annexes of Directive 2000/53/EC (ELV). Regarding the REACH Regulation, the information TE provides on SVHC in articles for this part number is based on the latest European Chemicals Agency (ECHA) 'Guidance on requirements for substances in articles' posted at this URL: <https://echa.europa.eu/guidance-documents/guidance-on-reach>

Customers Also Bought



TE Part #878513-000
Bulbous Heat Shrink Boots: Lipped, Right Angle



TE Part #154717-6
PL 250 REC TERMINAL 14-11 AWG PTPB



TE Part #1-1703543-0
2POS,TAB 2.8X0.8,TAB HSG,ASSY

Documents

Product Drawings

DECT MOLDED STAMPED ANTENNA

English



CAD Files

3D PDF

3D

Customer View Model

[ENG_CVM_CVM_1513454-1_E_c-1513454-1-e.2d_dxf.zip](#)

English

Customer View Model

[ENG_CVM_CVM_1513454-1_E_c-1513454-1-e.3d_igs.zip](#)

English

Customer View Model

[ENG_CVM_CVM_1513454-1_E_c-1513454-1-e.3d_stp.zip](#)

English

By downloading the CAD file I accept and agree to the [Terms and Conditions](#) of use.