

**PLEASE CHECK WWW.MOLEX.COM FOR LATEST PART INFORMATION**

**Part Number:** **1510020005**  
**Status:** **Active**  
**Overview:** Serial Attached SCSI (SAS) Connectors  
**Description:** 1.27mm Signal Pitch, 0.80mm Signal Pitch, 1.27mm Power Pitch SAS-3 Receptacle, Right-Angle, Surface Mount, with Forklock, 4.15mm Height, 3.50mm Peg Length, 1.60mm PCB Thickness, 29 Circuits, with Cap, Embossed Tape and Reel, Lead-Free

**Documents:**

<a href="#">3D Model</a>	<a href="#">Application Specification AS-151002-0001-001 (PDF)</a>
<a href="#">Drawing (PDF)</a>	<a href="#">Packaging Specification PK-151002-0002-001 (PDF)</a>
<a href="#">3D Model (PDF)</a>	<a href="#">Test Summary TS-151002-0001-001 (PDF)</a>
<a href="#">Product Specification PS-151002-0001 (PDF)</a>	<a href="#">RoHS Certificate of Compliance (PDF)</a>

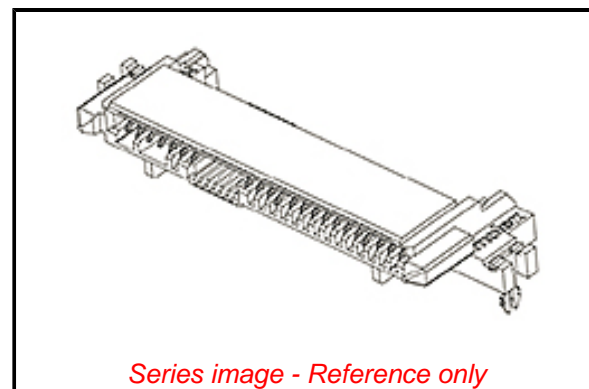
**General**

Product Family	I/O Connectors
Series	<a href="#">151002</a>
Application	Board-to-Board
Comments	Without Cap
Component Type	Receptacle
Electrical Model	Yes
Overview	<a href="#">Serial Attached SCSI (SAS) Connectors</a>
Product Name	SAS 12G, SAS-3
Type	N/A
UPC	889056632096

**Physical**

Circuits (Loaded)	29
Circuits Detail	Signal 14, Power 15
Color - Resin	Black
Durability (mating cycles max)	500
Gender	Female
Keying to Mating Part	Yes
Lock to Mating Part	None
Material - Metal	Copper Alloy
Material - Plating Mating	Gold
Material - Plating Termination	Tin
Material - Resin	Liquid Crystal Polymer
Net Weight	2.076/g
Number of Rows	2
Orientation	Right Angle
PCB Locator	Yes
PCB Retention	Yes
PCB Thickness - Recommended	1.60mm
Packaging Type	Embossed Tape on Reel
Panel Mount	No
Pitch - Mating Interface	0.80mm, 1.27mm
Pitch - Termination Interface	0.80mm, 1.27mm
Plating min - Mating	0.762µm
Plating min - Termination	2.540µm
Polarized to Mating Part	Yes
Polarized to PCB	Yes
Surface Mount Compatible (SMC)	Yes
Temperature Range - Operating	0° to +55°C
Termination Interface: Style	Surface Mount
Waterproof / Dustproof	No

**Electrical**



*Series image - Reference only*

**EU ELV**

**Compliant**

**EU RoHS**

**Compliant**

**REACH SVHC**

Not Contained Per -  
D(2020)4578-DC (25  
June 2020)

**Halogen-Free**

**Status**

**Low-Halogen**

For more information, please visit [Contact US](#)

China ROHS

ELV

RoHS Phthalates

**China RoHS**

Green Image

Compliant

Not Contained

**Search Parts in this Series**

[151002 Series](#)

**Mates With**

SFF-8482 and SFF-8680 Plugs|SAS / SATA  
Plugs

Current - Maximum per Contact	1.5A
Voltage - Maximum	30V

**Solder Process Data**

Duration at Max. Process Temperature (seconds)	010
Lead-free Process Capability	REFLOW
Max. Cycles at Max. Process Temperature	001
Process Temperature max. C	260

**Material Info****Reference - Drawing Numbers**

Application Specification	AS-151002-0001-001
Electrical Model Document	EE-151002-0001
Packaging Specification	PK-151002-0002-001
Product Specification	PS-151002-0001, RPS-151002-0001
S-Parameter Model	SP-151002-0001
Sales Drawing	SD-151002-0001-001
Test Summary	TS-151002-0001-001

This document was generated on 10/27/2020

**PLEASE CHECK [WWW.MOLEX.COM](http://WWW.MOLEX.COM) FOR LATEST PART INFORMATION**