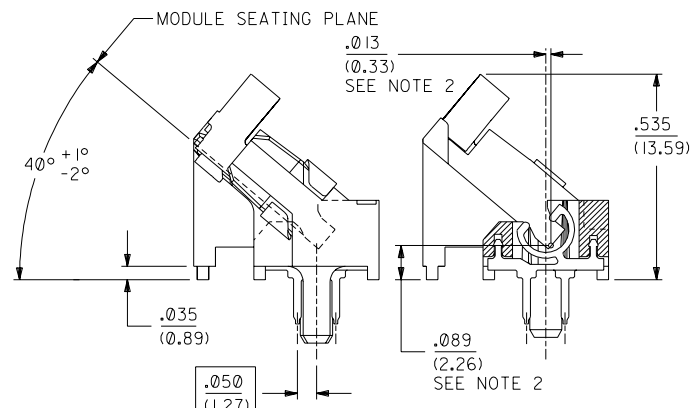
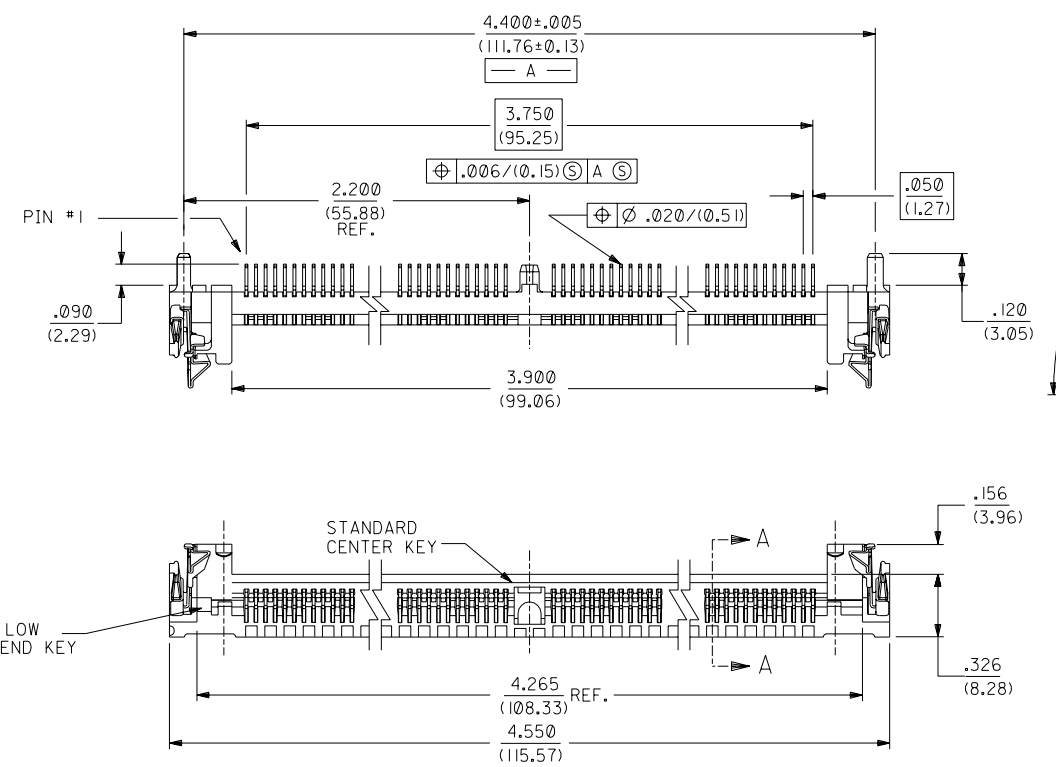
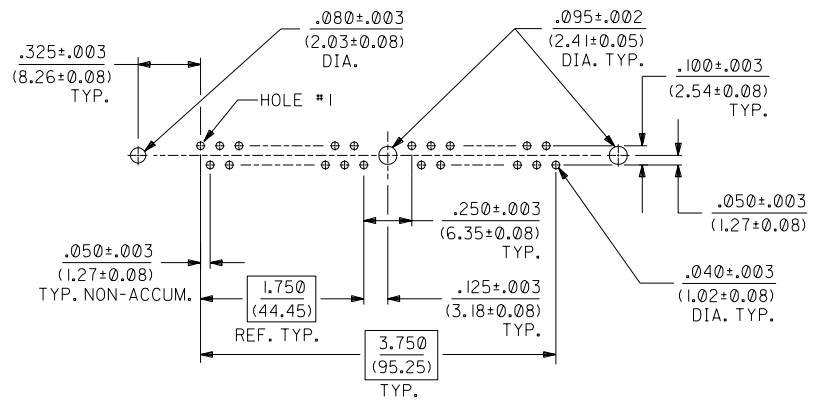


- NOTES:**
- CARD SLOT ACCEPTS P.C. BOARDS $.050 +.004 / -.003$ THICK, MEASURED OVER CONTACT PADS. (1.27 + 0.10 / - 0.08)
 - LOCATION OF LOWER CORNER OF MODULE BOARD.
 - PRODUCT SPEC PS-78954 APPLIES.
 - CENTER PEG IS AN INTERFERENCE FIT TO RECOMMENDED P.C. BOARD HOLE.

MATERIALS:

- HOUSING: LCP, GLASS FILLED, 94V-0. COLOR: GREY.
- LATCH: STAINLESS STEEL.
- TERMINAL: PHOSPHOR BRONZE, POST PLATED
- 200 μin. / (5.08 μm) MINIMUM TIN IN CONTACT AREA AND 150 μin. / (3.81 μm) MINIMUM TIN IN TAIL AREA OVER 50 μin. / (1.27 μm) MINIMUM NICKEL OVERALL.

THE PRIMARY SHIPPING CARTON WILL BE LABELED "COMPLIANT TO ROHS DIRECTIVE 2002/95/EC AND ELV ANNEX II OF DIRECTIVE 2000/53/EC". CARTONS WITHOUT THIS LABEL MAY CONTAIN PRODUCT WITH LEAD.



H	LEAD FREE UCP2004-1582 RWHITE 04/03/03
G	REVISED PER ECN #U51393 CMT 7-25-95
F	.050 BASIC TAIL DIM. PER ECN #U30092 PDB 01-21-93
E	.010 BLOCK TOL WAS .050 PER ECN #U20978 PDB 08-27-92
D	REMOVE TRACKING TOES PER ECN #U20978 PDB 06-29-92
C	REVISED GEOMETRY PER ECN #U20157 PDB 02-10-92
B	CORRECT HOLE PATTERN PER ECN #U11932 PDB 09-25-91
A	RELEASE TO MFG. PER ECN #U11694 PDB 08-08-91

DIMENSIONS SHOWN (METRIC) INCH UNLESS OTHERWISE SPECIFIED TOLERANCES: ANGULAR ± 1/2°		▽ = 0 ▽ = 0 REVISE ONLY ON CAD SYSTEM	
3 PLACE ± .010	---	TITLE	
2 PLACE ± .014 ± 0.25	---	SALES ASSY. 72 CIRCUIT 40° METAL LATCH LOW KEY SINGLE ROW SIMM SOCKET	
1 PLACE --- ± 0.36	---	SHEET NO. DATE	
DRAFT WHERE APPLICABLE MUST REMAIN WITHIN DIMENSIONS		MOLEX INCORPORATED U.S.A. 1 OF 1 0 / 0 / 91	
PART NO. 15-82-0619 DRWG. NO. SDA-78976-7231		FILE NAME 57897615.DGN	
DRWG. PDB	CHK'D. BY	THIS DRAWING CONTAINS INFORMATION THAT IS PROPRIETARY TO MOLEX INC. AND SHOULD NOT BE USED WITHOUT WRITTEN PERMISSION	
BY	SCALE 2: 1	DIV. DA	