

PLEASE CHECK WWW.MOLEX.COM FOR LATEST PART INFORMATION

Part Number: [0015311036](#)
Status: **Active**
Overview: Standard .093" Pin and Socket Connectors
Description: 2.36mm Diameter Standard .093" Pin and Socket Header, Vertical, with Beveled Plastic Peg, 3 Circuits

Documents:

3D Model	Product Specification PS-3191-003 (PDF)
3D Model (PDF)	Product Specification TS-5219-002-001 (PDF)
Drawing (PDF)	RoHS Certificate of Compliance (PDF)

Agency Certification

CSA	LR19980
UL	E29179

General

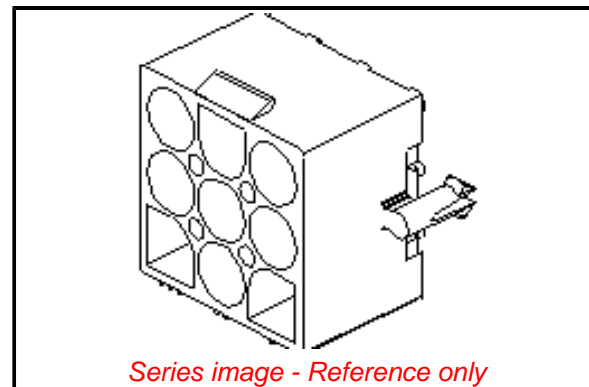
Product Family	PCB Headers
Series	5219
Application	Power, Wire-to-Board
Overview	Standard .093" Pin and Socket Connectors
Product Name	Standard .093"
UPC	800753604551

Physical

Breakaway	No
Circuits (Loaded)	3
Circuits (maximum)	3
Color - Resin	Natural
Durability (mating cycles max)	30
First Mate / Last Break	No
Flammability	94V-2
Glow-Wire Capable	No
Guide to Mating Part	No
Keying to Mating Part	None
Lock to Mating Part	Yes
Material - Plating Mating	Tin
Material - Plating Termination	Tin
Material - Resin	Nylon
Net Weight	2800.703/mg
Number of Rows	1
Orientation	Vertical
PCB Locator	Yes
PCB Retention	Yes
PCB Thickness - Recommended	1.60mm
Packaging Type	Bag
Pitch - Mating Interface	6.70mm
Polarized to Mating Part	Yes
Polarized to PCB	Yes
Shrouded	Fully
Stackable	No
Surface Mount Compatible (SMC)	No
Temperature Range - Operating	-40° to +105°C
Termination Interface: Style	Through Hole

Electrical

Current - Maximum per Contact	11.0A
Voltage - Maximum	600V



EU ELV

Not Relevant

EU RoHS

Compliant
REACH SVHC

Not Contained Per -
ED/71/2019 (16 July
2019)

Halogen-Free
Status

Low-Halogen

For more information, please visit [Contact US](#)

China ROHS

ELV

RoHS Phthalates

China RoHS

Green Image

Not Relevant

Not Contained

Search Parts in this Series

[5219 Series](#)

Mates With

[3191 Pin and Socket Receptacle Housing](#)

Material Info

Engineering Number

5219-03A

Reference - Drawing Numbers

Product Specification

PS-3191-003, TS-5219-002-001

Sales Drawing

SD-5219-03A-X

This document was generated on 01/16/2020

PLEASE CHECK WWW.MOLEX.COM FOR LATEST PART INFORMATION