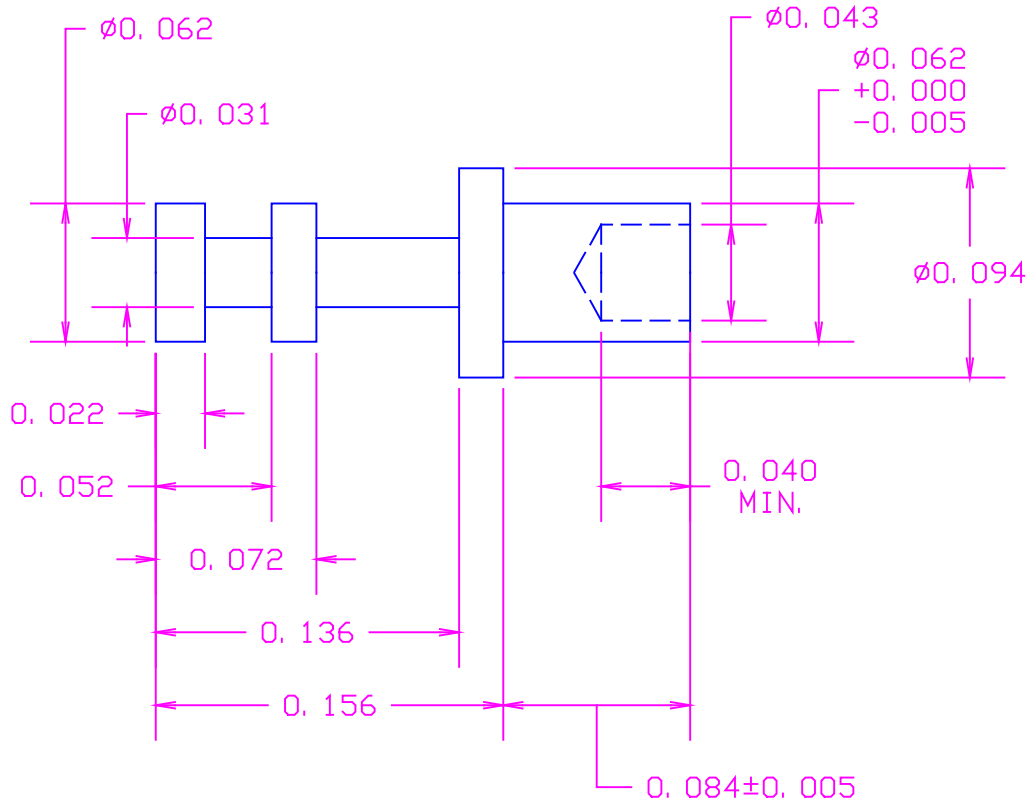


DATE	SYM	REVISION	RECORD	AUTH.	DR.	CK.
9/23/97	-	ISSUED			NT	MM



MATERIAL: BRASS PER ASTM B16,
 ALLOY C 36000, 1/2 HARD
 FINISH: .0003"MIN. ELECTRO-SOLDER PER
 MIL-P-81728, OVER .0001"MIN. COPPER

ACTUAL SIZE



TOLERANCES	CONCORD ELECTRONICS CORPORATION		
DECIMAL ± .005	P/N	SCALE	30 GREAT JONES ST. NEW YORK N. Y. 10012
FRACTIONAL ± -	TITLE TERMINAL		
ANGULAR ± 3° -	DATE 9-23-97	DRAWING NUMBER 15-266-2-05	