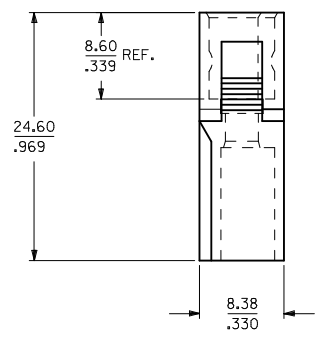
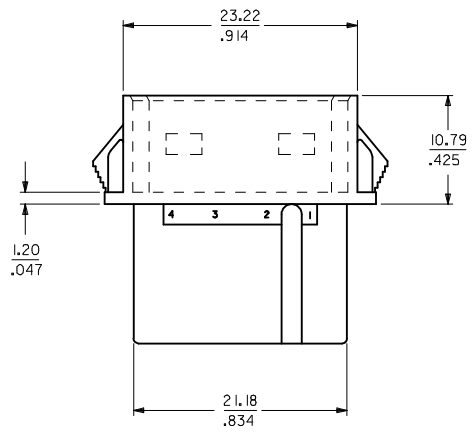
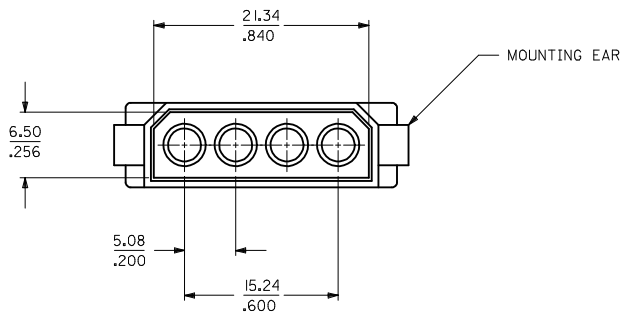
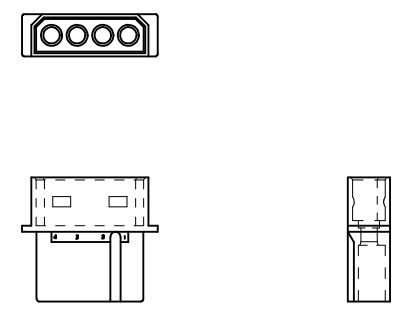


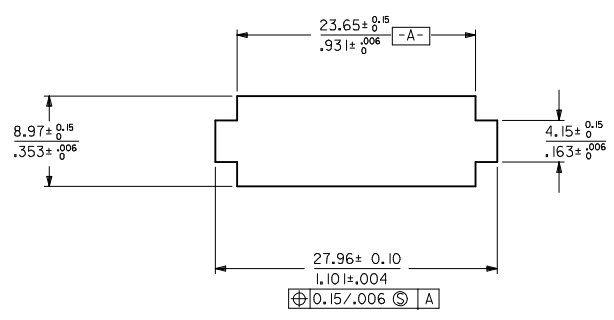
EDP NUMBER	HOUSING NUMBER	MTG EAR	MATERIAL
015-24-4047	E-8981-4M	NO	NYLON 6/6, 94V-2, COLOR : NATURAL(OFF-WHITE)
015-24-4061	E-8981-4M2	NO	NYLON 6/6, 94V-0, COLOR : NATURAL(OFF-WHITE)
NOT TOOLED	EX-8981-4MB	YES	NYLON 6/6, 94V-0, COLOR : NATURAL(OFF-WHITE)
015-24-4046	E-8981-4ME	YES	NYLON 6/6, 94V-2, COLOR : NATURAL(OFF-WHITE)



NOTES:
 1. THIS HOUSING IS FOR USED WITH TERMINAL PN: 8980-6*



WITHOUT MOUNTING EAR



RECOMMENDED PANEL OPENING

REMOVE NOTE 2 EC NO: S2012-0878 DRWN:SKANG 2012/10/04 CHKD:ATSEE 2012/10/18 APPR:MLONG 2012/11/02	QUALITY SYMBOLS $F_A=0$ $F_G=0$ $F_P=0$	GENERAL TOLERANCES (UNLESS SPECIFIED) <table border="1"> <thead> <tr> <th></th> <th>mm</th> <th>INCH</th> </tr> </thead> <tbody> <tr> <td>4 PLACES</td> <td>± ---</td> <td>± ---</td> </tr> <tr> <td>3 PLACES</td> <td>± ---</td> <td>± .010</td> </tr> <tr> <td>2 PLACES</td> <td>± 0.25</td> <td>± ---</td> </tr> <tr> <td>1 PLACE</td> <td>± ---</td> <td>± ---</td> </tr> </tbody> </table>		mm	INCH	4 PLACES	± ---	± ---	3 PLACES	± ---	± .010	2 PLACES	± 0.25	± ---	1 PLACE	± ---	± ---	DIMENSION STYLE MM/IN	SCALE ---	DESIGN UNITS METRIC	THIRD ANGLE PROJECTION
		mm	INCH																		
	4 PLACES	± ---	± ---																		
	3 PLACES	± ---	± .010																		
2 PLACES	± 0.25	± ---																			
1 PLACE	± ---	± ---																			
DRAFT WHERE APPLICABLE MUST REMAIN WITHIN DIMENSIONS	MATERIAL NO. SEE TABLE	DRAWN BY TAY	DATE 1987/12/15	TITLE CONN., CRIMP, 4-CKT POWER CONNECTOR	MOLEX INCORPORATED	SHEET NO. 1 OF 1															
SIZE A3	DOCUMENT NO. SD-8981-4M*	CHECKED BY AT	DATE 1987/12/16	THIS DRAWING CONTAINS INFORMATION THAT IS PROPRIETARY TO MOLEX INCORPORATED AND SHOULD NOT BE USED WITHOUT WRITTEN PERMISSION																	