

PLEASE CHECK WWW.MOLEX.COM FOR LATEST PART INFORMATION

Part Number: [15-04-0219](#)
Status: **Active**
Overview: [KK® Interconnection System](#)
Description: 3.96mm Pitch KK® Polarizing Key without Boss

Documents:

[3D Model](#) [RoHS Certificate of Compliance \(PDF\)](#)
[Drawing \(PDF\)](#)

General

Product Family	Accessories
Series	2560
Component Type	Polarizing Key
Overview	KK® Interconnection System
Product Name	KK®
UPC	800753605404

Physical

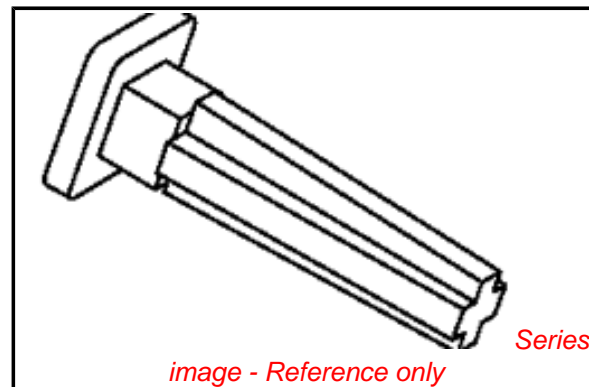
Circuits (Loaded)	1
Color - Resin	Natural
Lock to Mating Part	No
Material - Resin	Nylon
Net Weight	0.037/g
Packaging Type	Bag

Material Info

Old Part Number	2560-1
-----------------	--------

Reference - Drawing Numbers

Sales Drawing	SD-2560
---------------	---------



EU RoHS

**ELV and RoHS
Compliant**
**REACH SVHC
Contains SVHC: No
Low-Halogen Status
Low-Halogen**

China RoHS



**Need more information on product
environmental compliance?**

Email productcompliance@molex.com
 For a multiple part number RoHS Certificate of Compliance, [click here](#)

Please visit the [Contact Us](#) section for any non-product compliance questions.

Search Parts in this Series

[2560Series](#)

Use With

[2139](#) KK® Crimp Terminal. [2145](#) KK® PC Board Connector