

1488208-1 ✓ ACTIVE

AMP | AMP 0.64 Connector System

TE Internal #: 1488208-1

Automotive Terminals, Tab, Mating Tab Width .64 mm [.025 in], Tab

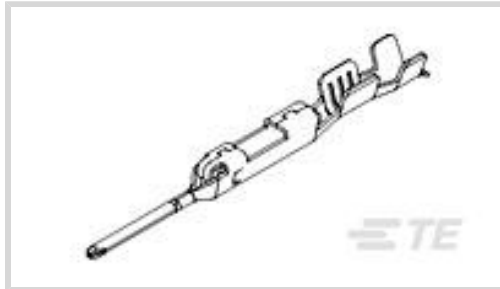
Thickness .64 mm [.025 in], 20 – 18 AWG Wire Size, AMP 0.64

Connector System

[View on TE.com >](#)



Terminals & Splices > Automotive Terminals



Terminal Type: **Tab**

Mating Tab Width: **.64 mm [.025 in]**

Mating Tab Thickness: **.64 mm [.025 in]**

Terminal Transmits: **0 – 24 A (Low Power)**

Wire Size: **20 – 18 AWG**

Features

Product Type Features

Receptacle Style	180°
Sealable	No

Contact Features

Contact Size	.8mm
Contact Fabrication	Stamped & Formed
Typical Current Rating	7.7 A
Crimp Type	F-Crimp
Terminal Type	Tab
Mating Tab Width	.64 mm[.025 in]
Mating Tab Thickness	.64 mm[.025 in]
Interface Plating	Gold (Au)

Termination Features

Termination Method to Wire & Cable	Crimp
Product Terminates To	Wire

Dimensions

Compatible Insulation Diameter Range	1.4 – 2.13 mm[.055 – .084 in]
Wire Size	.5 – .75 mm ²
Wire Size Search	18 AWG, 19 AWG, 20 AWG



Usage Conditions

Insulation Option	Uninsulated
Operating Temperature (Max)	80 °C, 85 °C, 90 °C, 100 °C, 105 °C, 110 °C, 120 °C, 125 °C [176 °F][185 °F][194 °F][212 °F][221 °F][230 °F][248 °F][257 °F]
Operating Temperature Range	-40 – 125 °C [-40 – 257 °F]

Operation/Application

Compatible With Wire Base Material	Copper
------------------------------------	--------

Packaging Features

Packaging Quantity	7000
Packaging Method	Package

Other

Terminal Transmits	0 – 24 A (Low Power)
--------------------	----------------------

Product Compliance

[For compliance documentation, visit the product page on TE.com>](#)

EU RoHS Directive 2011/65/EU	Compliant
EU ELV Directive 2000/53/EC	Compliant
China RoHS 2 Directive MIIT Order No 32, 2016	No Restricted Materials Above Threshold
EU REACH Regulation (EC) No. 1907/2006	Current ECHA Candidate List: JUNE 2024 (241) Candidate List Declared Against: JAN 2024 (240) Does not contain REACH SVHC
Halogen Content	Low Halogen - Br, Cl, F, I < 900 ppm per homogenous material. Also BFR/CFR/PVC Free
Solder Process Capability	Not applicable for solder process capability

Product Compliance Disclaimer

This information is provided based on reasonable inquiry of our suppliers and represents our current actual knowledge based on the information they provided. This information is subject to change. The part numbers that TE has identified as EU RoHS compliant have a maximum concentration of 0.1% by weight in homogenous materials for lead, hexavalent chromium, mercury, PBB, PBDE, DBP, BBP, DEHP, DIBP, and 0.01% for cadmium, or qualify for an exemption to these limits as defined in the Annexes of Directive 2011/65/EU (RoHS2). Finished electrical and electronic equipment products will be CE marked as required by Directive 2011/65/EU. Components may not be CE marked. Additionally, the part numbers that TE has identified as EU ELV compliant have a maximum concentration of 0.1% by weight in homogenous materials for lead, hexavalent chromium, and mercury, and 0.01% for cadmium, or qualify for an exemption to these limits as defined in the Annexes of Directive 2000/53/EC (ELV). Regarding the REACH Regulation, the information TE provides on SVHC in articles for this part number is based on the latest European Chemicals Agency (ECHA) 'Guidance on requirements for substances in articles' posted at this URL: <https://echa.europa.eu/guidance-documents/guidance-on-reach>

Compatible Parts



TE Part # 2151580-1
OCEAN_2.0_APPLICATOR-S-062F067F-RSM



TE Part # 91338-1
0.64 MM CONTACT PRO-CRIMPER



TE Part # 2151580-2
OCEAN_2.0_APPLICATOR-S-062F067FA-RSA

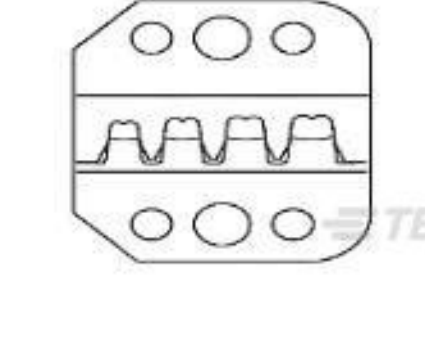


TE Part # 2305570-1
Strip Terminal Cutter-Side Feed-No Crimp



KIT
REPRESENTATION ONLY

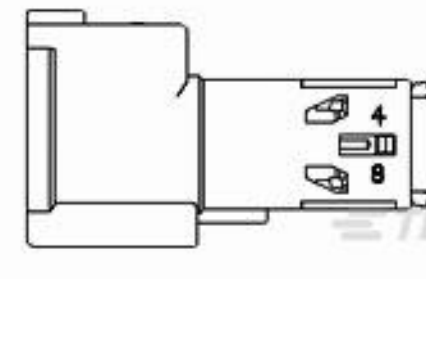
TE Part # 7-2151580-7
OCEAN_2.0_SPARE_PART_KIT-062F067F



TE Part # 91338-2
PRO CRIMPER DIE, .64MM



TE Part # 7-2151580-2
OCEAN_2.0_APPLICATOR-S-062F067FA




TE Part # 638379-3
.64MM 2X4 CAP ASSY, KEY C




TE Part # 1438726-2
70 Way Inline Sealed Hybrid Cap Assy

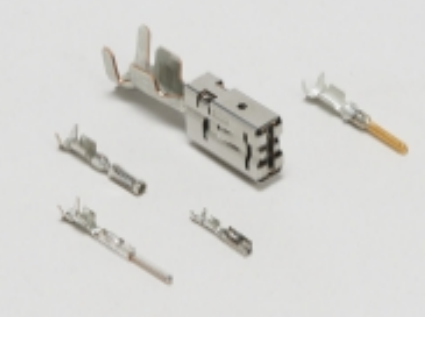
Also in the Series | AMP 0.64 Connector System




Automotive Connector Caps & Covers (17)



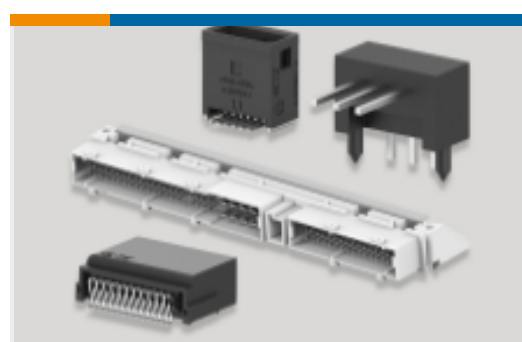
Automotive Housings(26)



Automotive Terminals(12)

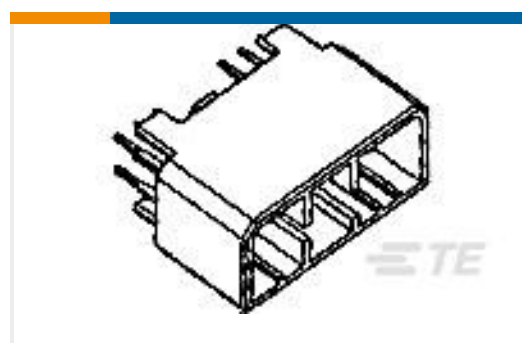


Insertion & Extraction Tools(1)



PCB Headers & Receptacles(5)

Customers Also Bought

TE Part #1-174957-1
070 MLC CAP ASSY V 12P

Documents

Product Drawings

[0.64MM PIN CONTACT, CRIMP, 18-](#)

English

[0.64MM PIN CONTACT, CRIMP, 18-](#)

English

CAD Files

Customer View Model

[ENG_CVM_1488208-1_O.3d_igs.zip](#)

English

Customer View Model

[ENG_CVM_1488208-1_O.3d_stp.zip](#)

English

Customer View Model

[ENG_CVM_1488208-1_O.2d_dxf.zip](#)

English

3D PDF

English

By downloading the CAD file I accept and agree to the [Terms and Conditions](#) of use.

Product Specifications

[Application Specification](#)

English

Instruction Sheets

[Instruction Sheet \(U.S.\)](#)



English

[Instruction Sheet \(U.S.\)](#)

English

[Instruction Sheet \(U.S.\)](#)

English