

1487596-1 ✓ ACTIVE

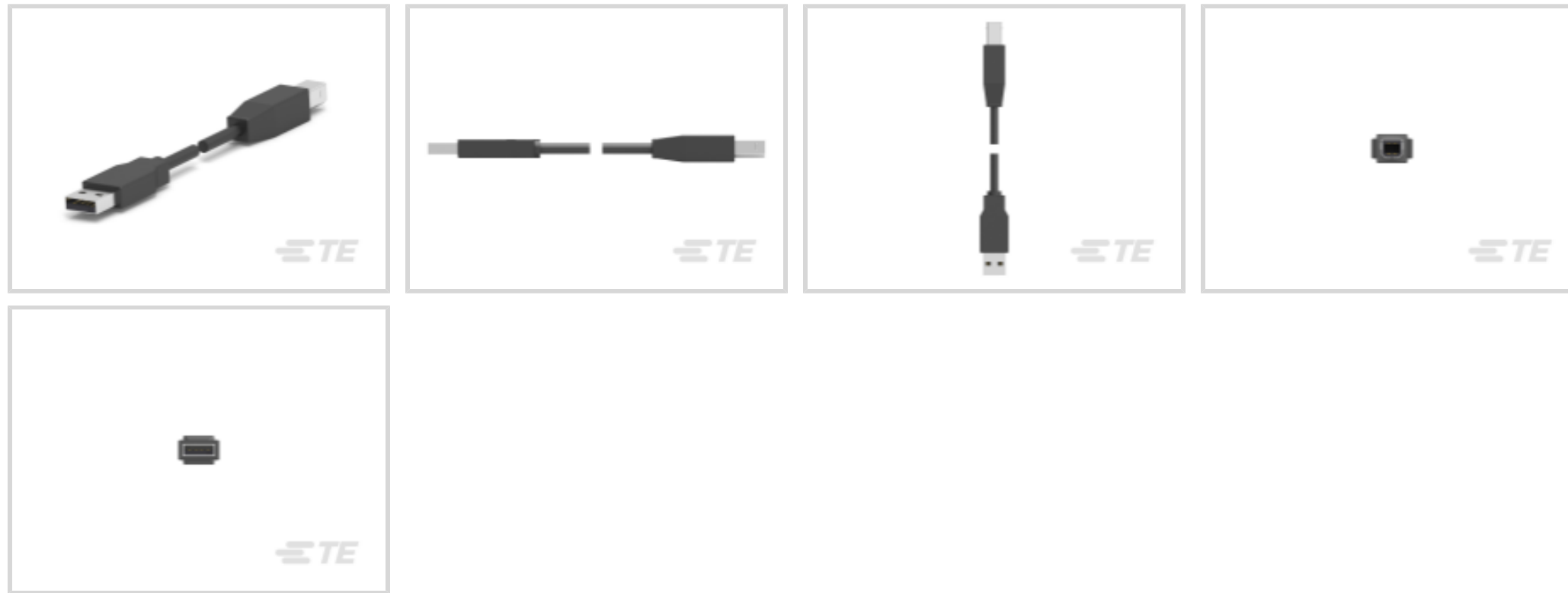


TE Internal #: 1487596-1

USB 4-Position Plug, Type A to Type B Cable Assembly, Black
Cable, USB Type A Plug, USB Type B Plug, Double Ended, 24 AWG
/ 28 AWG

[View on TE.com >](#)

Cable Assemblies > Copper Cable Assemblies > Multimedia Cable Assemblies > USB Cable Assemblies



Cable Assembly Type: **USB 4-Position Plug, Type A to Type B**

Cable Assembly Configuration: **Double Ended**

Wire Size: **24 AWG, 28 AWG**

Cable Color: **Black**

Connector Type (End A): **USB Type A Plug**

Features

Product Type Features

Cable Assembly Type	USB 4-Position Plug, Type A to Type B
Connector Type (End A)	USB Type A Plug
Connector Type (End B)	USB Type B Plug

Configuration Features

Number of Positions	4
---------------------	---

Body Features

Equalized	No
Cable Color	Black

Dimensions

Wire Size	24 AWG, 28 AWG
-----------	----------------

Operation/Application

Shielded	Yes
----------	-----

Other

Cable Assembly Configuration	Double Ended
------------------------------	--------------



Product Compliance

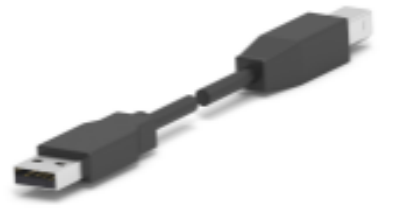
[For compliance documentation, visit the product page on TE.com>](#)

EU RoHS Directive 2011/65/EU	Compliant
EU ELV Directive 2000/53/EC	Compliant
China RoHS 2 Directive MIIT Order No 32, 2016	No Restricted Materials Above Threshold
EU REACH Regulation (EC) No. 1907/2006	Current ECHA Candidate List: JAN 2024 (240) Candidate List Declared Against: JAN 2024 (240) Does not contain REACH SVHC
Halogen Content	Not Low Halogen - contains Br or Cl > 900 ppm.
Solder Process Capability	Not applicable for solder process capability

Product Compliance Disclaimer

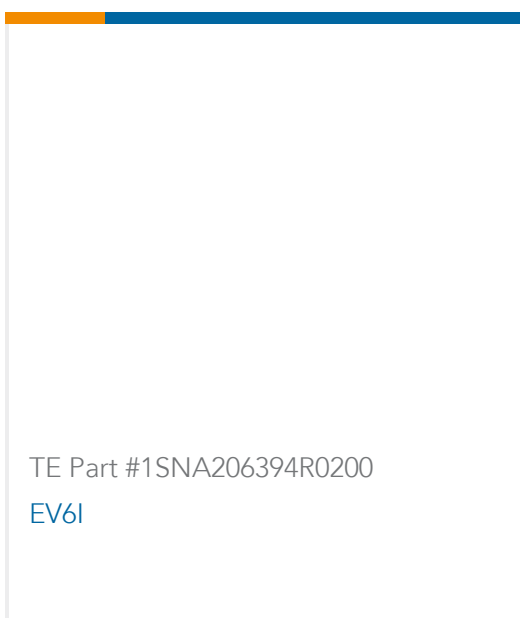
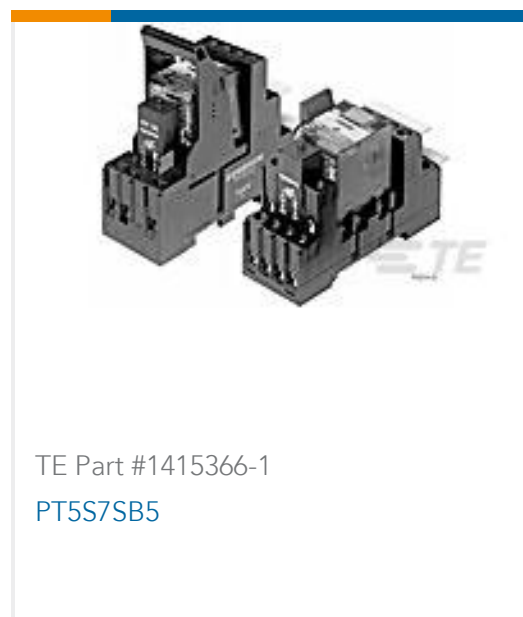
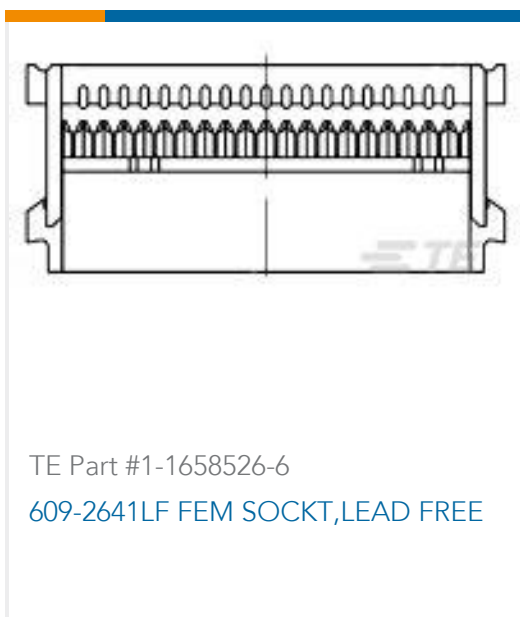
This information is provided based on reasonable inquiry of our suppliers and represents our current actual knowledge based on the information they provided. This information is subject to change. The part numbers that TE has identified as EU RoHS compliant have a maximum concentration of 0.1% by weight in homogenous materials for lead, hexavalent chromium, mercury, PBB, PBDE, DBP, BBP, DEHP, DIBP, and 0.01% for cadmium, or qualify for an exemption to these limits as defined in the Annexes of Directive 2011/65/EU (RoHS2). Finished electrical and electronic equipment products will be CE marked as required by Directive 2011/65/EU. Components may not be CE marked. Additionally, the part numbers that TE has identified as EU ELV compliant have a maximum concentration of 0.1% by weight in homogenous materials for lead, hexavalent chromium, and mercury, and 0.01% for cadmium, or qualify for an exemption to these limits as defined in the Annexes of Directive 2000/53/EC (ELV). Regarding the REACH Regulation, the information TE provides on SVHC in articles for this part number is based on the latest European Chemicals Agency (ECHA) 'Guidance on requirements for substances in articles' posted at this URL: <https://echa.europa.eu/guidance-documents/guidance-on-reach>

Compatible Parts

 <p>TE Part # 1487588-2 USB, A-B, 28/24, WHITE, 1.5M</p>	 <p>TE Part # 1487595-3 USB, A-B, 28/26, BLACK, .83M</p>	 <p>TE Part # 1487595-1 USB, A-B, 28/26, BLACK, 1.0M</p>	 <p>TE Part # 1487595-2 USB, A-B, 28/26, BLACK, 1.3M</p>
---	---	---	---



Customers Also Bought



Documents



CAD Files

3D PDF

3D

Customer View Model

[ENG_CVM_CVM_1487596-1_L.2d_dxf.zip](#)

English

Customer View Model

[ENG_CVM_CVM_1487596-1_L.3d_igs.zip](#)

English

Customer View Model

[ENG_CVM_CVM_1487596-1_L.3d_stp.zip](#)

English

By downloading the CAD file I accept and agree to the [Terms and Conditions](#) of use.