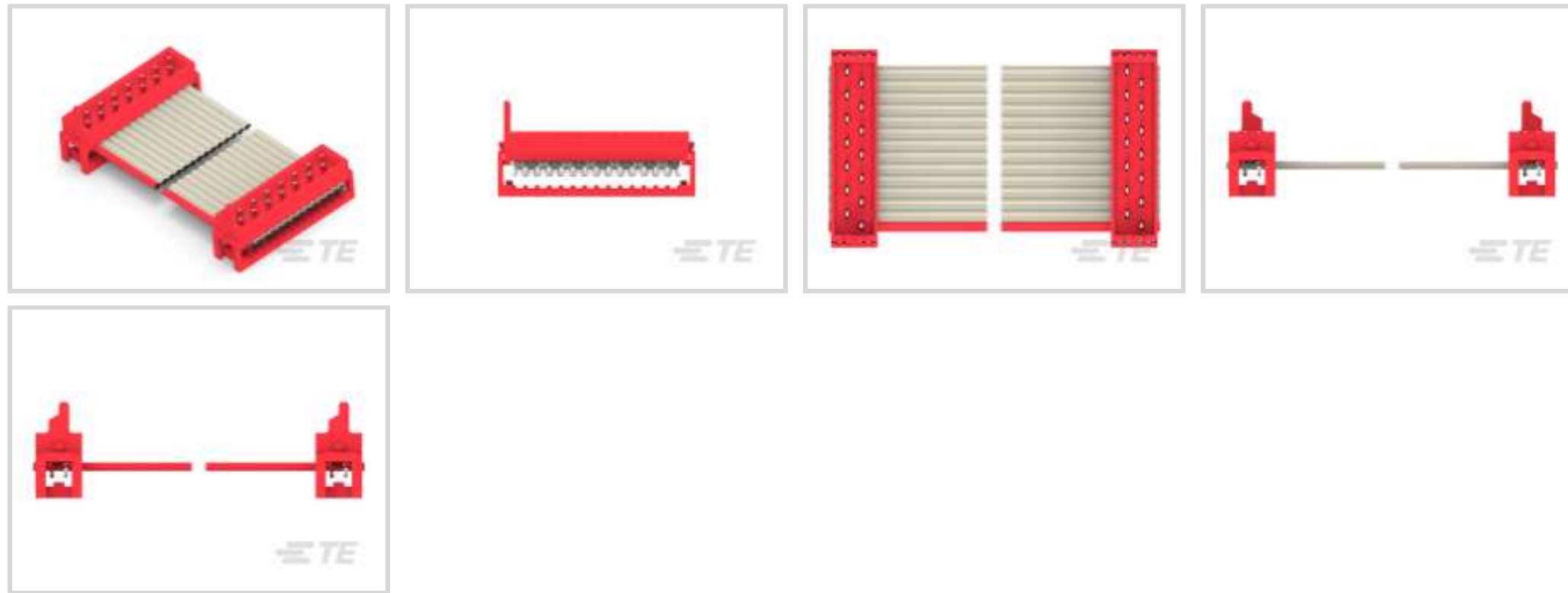




TE Internal #: 1483355-1  
 Micro Match Cable Assembly, .328 ft [.1 m], .089 mm<sup>2</sup>, Gray Cable,  
 Double-Ended, Micro Match Plug, Micro Match Plug, PBT GF20,  
 Red Housing, 28 AWG

[View on TE.com >](#)

Cable Assemblies > Copper Cable Assemblies > Power Cable Assemblies



Cable Assembly Configuration: **Double-Ended**

Wire Size: **.089 mm<sup>2</sup>**

Outside Cable Diameter: **.93 mm [.036 in]**

Cable Assembly Length: **.1 m [.328 ft]**

Cable Color: **Gray**

## Features

### Product Type Features

Product Type	Cable Assembly
Product Designation	Patch Cord
Cable Assembly Category	Industry Standard
Cable Assembly Type	Micro Match
Connector Type (End A)	Micro Match Plug
Connector Type (End B)	Micro Match Plug

### Configuration Features

Keyed	Yes
Number of Positions	14
Number of Power Positions	0

### Body Features

Equalized	Yes
Cable Color	Gray

### Housing Features

--	--



Housing Material	PBT GF20
Housing Color	Red

### Dimensions

Wire Size	28 AWG
Outside Cable Diameter	.93 mm[.036 in]

### Usage Conditions

Operating Temperature Range	-40 – 221 °C[-40 – 105 °F]
-----------------------------	----------------------------

### Industry Standards

IEEE 1394	No
Flammability Rating	UL 2651

### Other

CLOUDSPLITTER	No
Cable Assembly Configuration	Double-Ended
Cable Assembly Length	.1 m[.328 ft]

## Product Compliance

[For compliance documentation, visit the product page on TE.com>](#)

EU RoHS Directive 2011/65/EU	Compliant
EU ELV Directive 2000/53/EC	Compliant
China RoHS 2 Directive MIIT Order No 32, 2016	No Restricted Materials Above Threshold
EU REACH Regulation (EC) No. 1907/2006	Current ECHA Candidate List: JUNE 2022 (224) Candidate List Declared Against: JAN 2021 (211) Does not contain REACH SVHC
Halogen Content	Not Low Halogen - contains Br or Cl > 900 ppm.
Solder Process Capability	Not applicable for solder process capability

#### Product Compliance Disclaimer

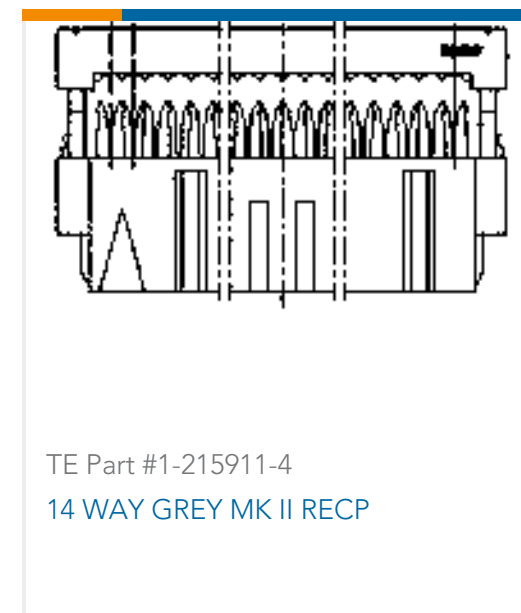
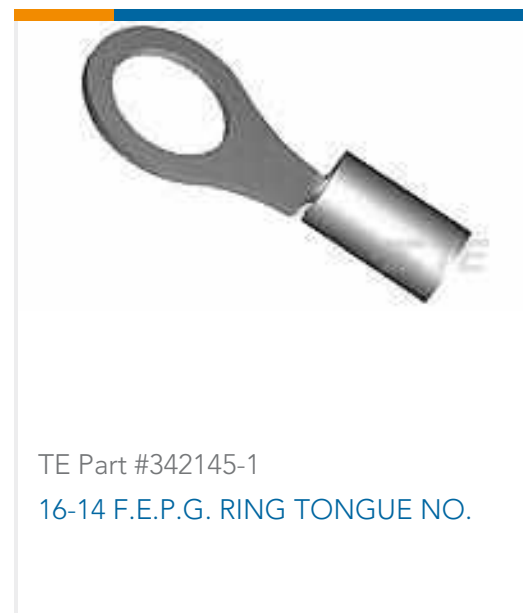
This information is provided based on reasonable inquiry of our suppliers and represents our current actual knowledge based on the information they provided. This information is subject to change. The part numbers that TE has identified as EU RoHS compliant have a maximum concentration of 0.1% by weight in homogenous materials for lead, hexavalent chromium, mercury, PBB, PBDE, DBP, BBP, DEHP, DIBP, and 0.01% for cadmium, or qualify for an exemption to these limits as defined in the Annexes of Directive 2011/65/EU (RoHS2). Finished electrical and electronic equipment products will be CE marked as required by Directive 2011/65/EU. Components may not be CE marked. Additionally, the part numbers that TE has identified as EU ELV compliant have a maximum concentration of 0.1% by weight in homogenous materials for lead, hexavalent chromium, and mercury, and 0.01% for cadmium, or qualify for an exemption to these limits as defined in the Annexes of Directive 2000/53/EC (ELV). Regarding the REACH Regulation, the information TE provides

on SVHC in articles for this part number is based on the latest European Chemicals Agency (ECHA) 'Guidance on requirements for substances in articles' posted at this URL: <https://echa.europa.eu/guidance-documents/guidance-on-reach>

## Compatible Parts



## Customers Also Bought



## Documents

### Product Drawings

MICRO-MATCH LEAD 14P 100MM

English

### CAD Files

3D PDF

3D

Customer View Model

[ENG\\_CVM\\_CVM\\_1483355-1\\_A\\_c-1483355-1-a.2d\\_dxf.zip](#)

English

Customer View Model

[ENG\\_CVM\\_CVM\\_1483355-1\\_A\\_c-1483355-1-a.3d\\_igs.zip](#)

1483355-1

Micro Match Cable Assembly, .328 ft [.1 m], .089 mm<sup>2</sup>, Gray Cable, Double-Ended,  
Micro Match Plug, Micro Match Plug, PBT GF20, Red Housing, 28 AWG



English

Customer View Model

[ENG\\_CVM\\_CVM\\_1483355-1\\_A\\_c-1483355-1-a.3d\\_stp.zip](#)

English

By downloading the CAD file I accept and agree to the [Terms and Conditions](#) of use.

[Product Environmental Compliance](#)

[TE Material Declaration](#)

English