

1473369-3 ✓ ACTIVE

AMP | AMP Auto Squib Products

TE Internal #: 1473369-3

Housing, PBT, Orange, -40 – 120 °C [-40 – 248 °F], AMP Auto Squib Products, Other Automotive Connector Accessories

[View on TE.com >](#)



Connectors > Automotive Connectors > Automotive Connector Accessories > Other Automotive Connector Accessories



Automotive Connector Accessory Type: **Housing**

Primary Product Material: **PBT**

Primary Product Color: **Orange**

Operating Temperature Range: **-40 – 120 °C [-40 – 248 °F]**

Features

Product Type Features

Automotive Connector Accessory Type	Housing
-------------------------------------	---------

Body Features

Primary Product Material	PBT
Primary Product Color	Orange

Usage Conditions

Operating Temperature Range	-40 – 120 °C[-40 – 248 °F]
-----------------------------	----------------------------

Industry Standards

UL Flammability Rating	UL 94HB
------------------------	---------

Packaging Features

Packaging Quantity	2000
Packaging Method	Bag

Other

Serviceable	Yes
-------------	-----

Product Compliance

[For compliance documentation, visit the product page on TE.com>](#)

EU RoHS Directive 2011/65/EU	Compliant
EU ELV Directive 2000/53/EC	Compliant
China RoHS 2 Directive MIIT Order No 32, 2016	No Restricted Materials Above Threshold



EU REACH Regulation (EC) No. 1907/2006

Current ECHA Candidate List: JUNE 2024 (241)

Candidate List Declared Against: JUNE 2024 (241)

Does not contain REACH SVHC

Halogen Content

Low Halogen - Br, Cl, F, I < 900 ppm per homogenous material. Also BFR/CFR/PVC Free

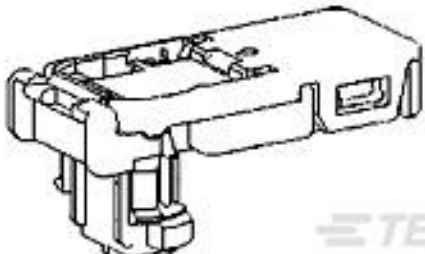
Solder Process Capability

Not applicable for solder process capability

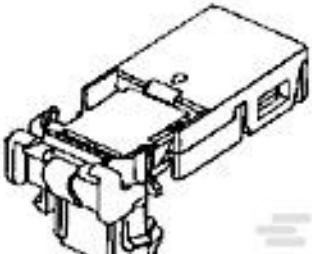
Product Compliance Disclaimer

This information is provided based on reasonable inquiry of our suppliers and represents our current actual knowledge based on the information they provided. This information is subject to change. The part numbers that TE has identified as EU RoHS compliant have a maximum concentration of 0.1% by weight in homogenous materials for lead, hexavalent chromium, mercury, PBB, PBDE, DBP, BBP, DEHP, DIBP, and 0.01% for cadmium, or qualify for an exemption to these limits as defined in the Annexes of Directive 2011/65/EU (RoHS2). Finished electrical and electronic equipment products will be CE marked as required by Directive 2011/65/EU. Components may not be CE marked. Additionally, the part numbers that TE has identified as EU ELV compliant have a maximum concentration of 0.1% by weight in homogenous materials for lead, hexavalent chromium, and mercury, and 0.01% for cadmium, or qualify for an exemption to these limits as defined in the Annexes of Directive 2000/53/EC (ELV). Regarding the REACH Regulation, the information TE provides on SVHC in articles for this part number is based on the latest European Chemicals Agency (ECHA) 'Guidance on requirements for substances in articles' posted at this URL: <https://echa.europa.eu/guidance-documents/guidance-on-reach>

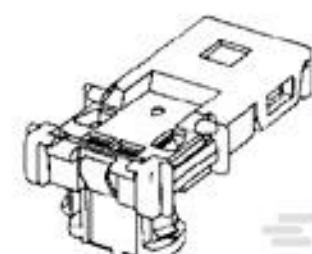
Compatible Parts



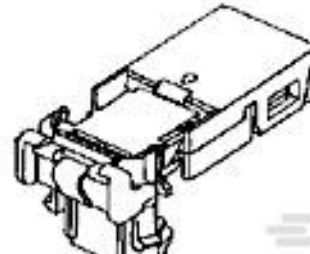
TE Part # 1376688-1
11DIA SQUIB SLIM PLUG HSG YELL



TE Part # 1612120-3
11DIA SQUIB SLIM MK-2 PLUG HSG



TE Part # 1473139-1
SQUIB 11DIA MK-2 PLUG HSG



TE Part # 1612120-1
11DIA SQUIB SLIM MK-2 PLUG HSG



TE Part # 1612121-4
SQUIB 2POS PLUG HSG



TE Part # 1827120-1
SQUIB LOCKING BUTTON



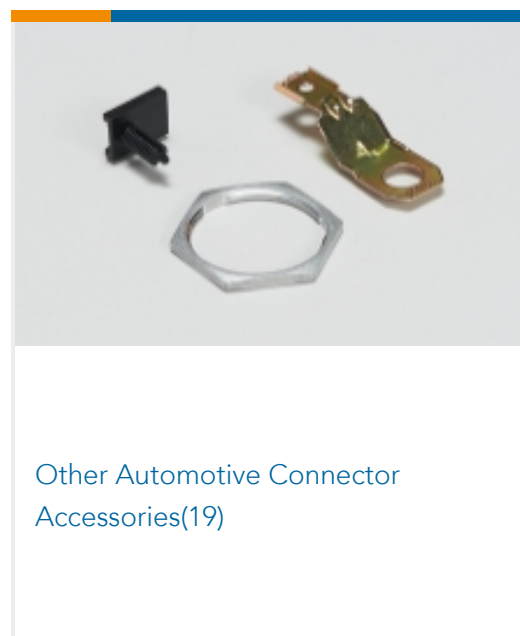
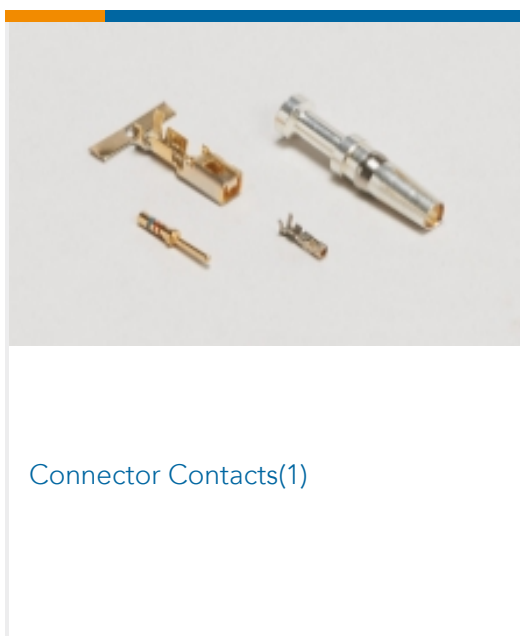
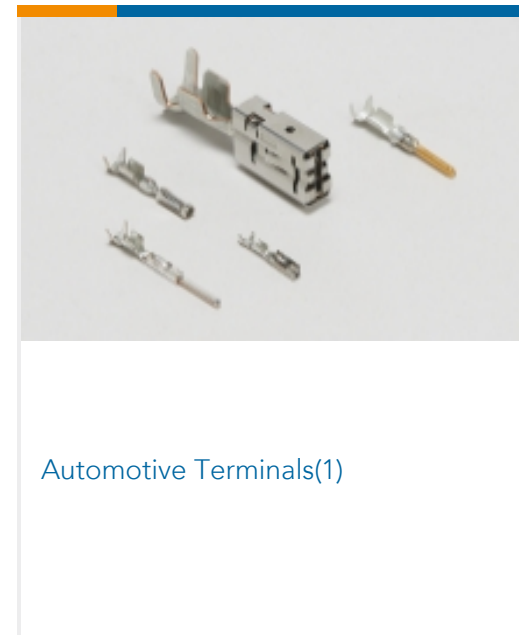
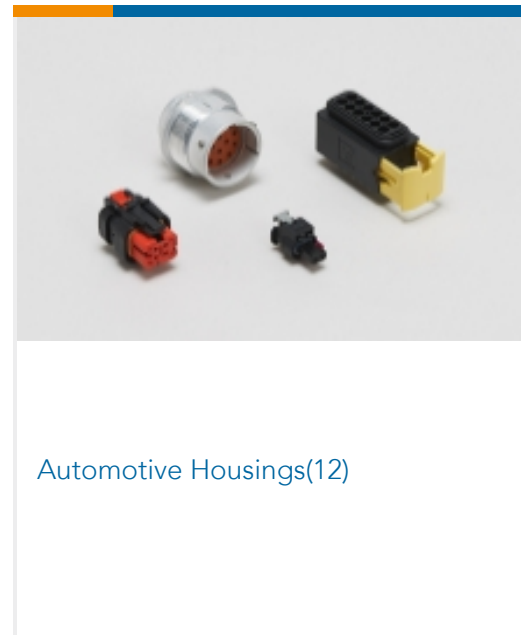
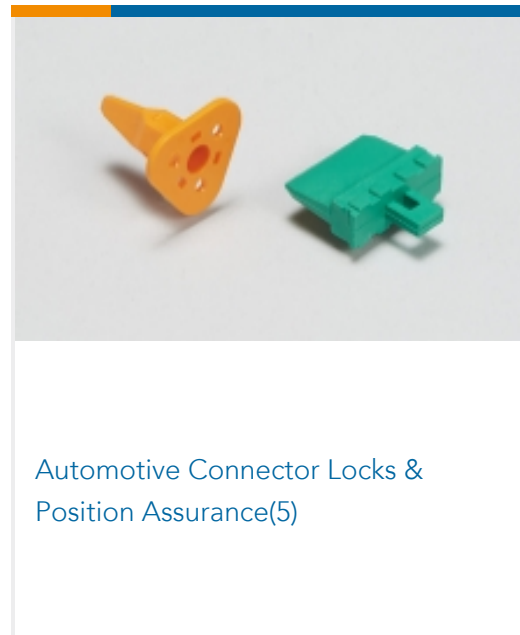
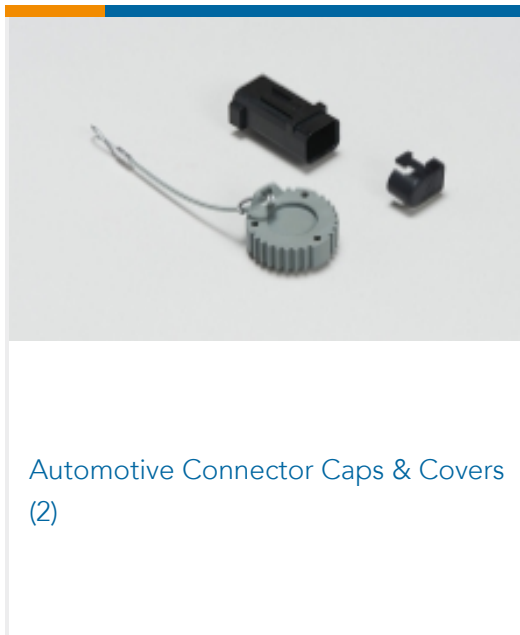
TE Part # 1612121-1
SQUIB 2POS PLUG HSG



TE Part # 1376688-3
11DIA SQUIB SLIM PLUG HSG ORNG



Also in the Series | AMP Auto Squib Products



Customers Also Bought





Documents

Product Drawings

SQUIB 11DIA SCR ASSY 8.8MM TYP

Japanese

CAD Files

Customer View Model

ENG_CVM_CVM_1473369-3_J.2d_dxf.zip

English

3D PDF

3D

Customer View Model

ENG_CVM_CVM_1473369-3_J.3d_igs.zip

English

Customer View Model

ENG_CVM_CVM_1473369-3_J.3d_stp.zip

English

By downloading the CAD file I accept and agree to the [Terms and Conditions](#) of use.

Product Specifications

SQUIB 11DIA SHORT CIRCUIT RING

Japanese

SQUIB 11DIA SHORT CIRCUIT RING

Japanese

Product Specification

Japanese

Product Specification

Japanese

Instruction Sheets

11DIA SQUIB SCR ASSY

English

Instruction Sheet (non U.S.)

English