

Ejector Assembly for Double Slot, Raised Height Pin Headers (Continued)

Right Button Ejector

Part Number 146049-1

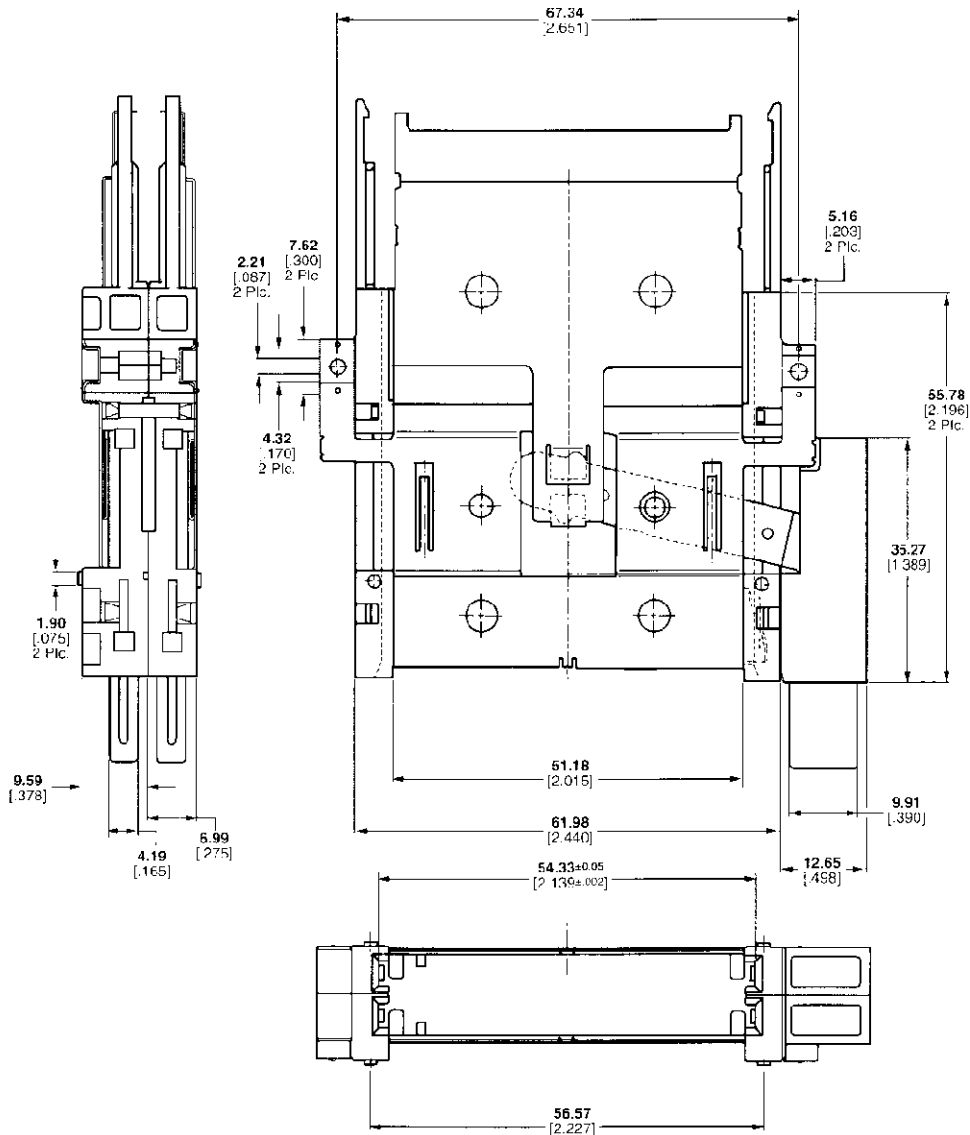
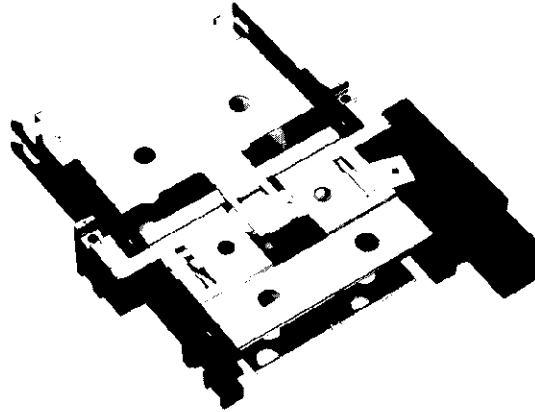
Material and Finish:

Rails, Shroud and Buttons —
Liquid crystal polymer, black

Ejector, Rail Plate and Lever —
Stainless steel

Related Product Data:

Pin Headers Used With Ejector Assembly page 36



Double Slot, Raised Height Pin Headers

Notes: Two size M2 [2-56 UNC] screws (Customer supplied) are required for fastening the ejector to the PC board.