

# Device connector, rear mounting - SACC-DSI-M12FS-12CON-M16/2,0



1458790

<https://www.phoenixcontact.com/au/products/1458790>

Please be informed that the data shown in this PDF document is generated from our Online Catalog. Please find the complete data in the user documentation. Our General Terms of Use for Downloads are valid.

---



Sensor/actuator flush-type female connector, 12-pos., M12 SPEEDCON, rear/screw mounting with M16 thread, with 2.0 m halogen-free TPE litz wire, 12 x 0.14 mm<sup>2</sup>

---

# Device connector, rear mounting - SACC-DSI-M12FS-12CON-M16/2,0



1458790

<https://www.phoenixcontact.com/au/products/1458790>

## Commercial Data

Item number	1458790
Packing unit	1 pc
Minimum order quantity	100 pc
Sales Key	ABQCDH
Product Key	ABQCDH
GTIN	4046356645041
Weight per Piece (including packing)	73 g
Weight per Piece (excluding packing)	71.6 g
Customs tariff number	85444290
Country of origin	DE

# Device connector, rear mounting - SACC-DSI-M12FS-12CON-M16/2,0



1458790

<https://www.phoenixcontact.com/au/products/1458790>

## Technical Data

### Product properties

Product type	Circular connectors (device side)
Number of positions	12
No. of cable outlets	1
Shielded	no
Coding	A - standard

### Insulation characteristics

Overvoltage category	II
Degree of pollution	3

### Ambient conditions

Degree of protection	IP67 (When plugged in)
	IP65 (When plugged in)
Degree of protection	IP65/IP67
Ambient temperature (operation)	-25 °C ... 85 °C (Plug / socket)
	-25 °C ... 85 °C (cable, fixed installation)

### Connector

#### Header 1

Head thread type	M12
------------------	-----

### Electrical properties

Rated surge voltage	0.8 kV
Contact resistance	≤ 3 mΩ
Insulation resistance	≥ 100 MΩ
Nominal voltage $U_N$	30 V
Nominal current $I_N$	1.5 A

### Material specifications

Flammability rating according to UL 94	V0
Sealing material	NBR
Contact material	CuZn
Contact surface material	Au
Contact carrier material	PA 6.6
Cable gland material	Zinc die-cast, nickel-plated

### Connection data

#### Conductor connection

Connection method	Individual wires
-------------------	------------------

# Device connector, rear mounting - SACC-DSI-M12FS-12CON-M16/2,0



1458790

<https://www.phoenixcontact.com/au/products/1458790>

## Mounting

Mounting type	Rear mounting M16 x 1.5 With flat nut
Assembly instructions	With flat nut

## Standards and regulations

Standards/specifications	IEC 61076-2-101
--------------------------	-----------------

## Cable / line

Cable length	2 m
--------------	-----

## Cable structure

Cable type	TPE litz wire
Conductor material	Tin-plated Cu litz wires
AWG signal line	26
Single wire, color	Color-coded DIN 47100

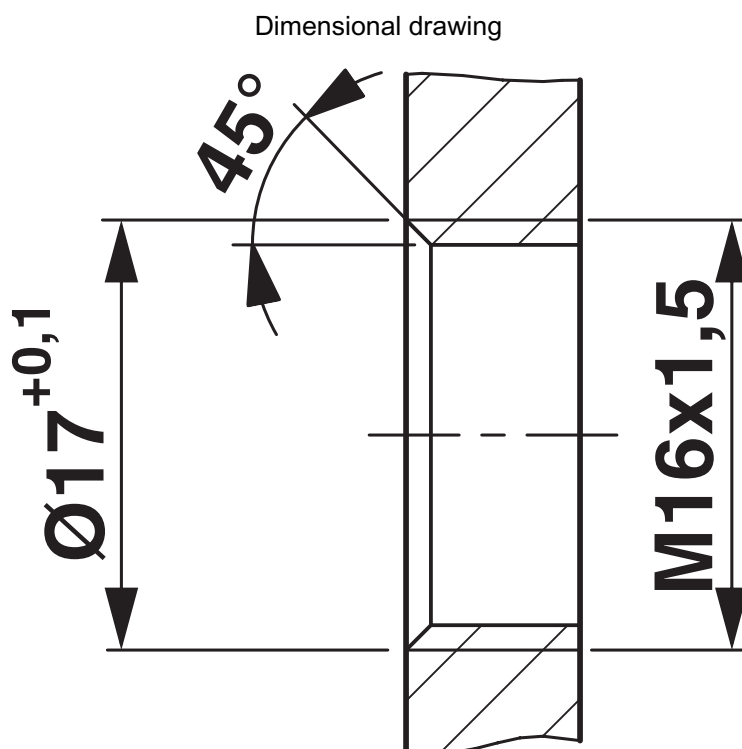
# Device connector, rear mounting - SACC-DSI-M12FS-12CON-M16/2,0



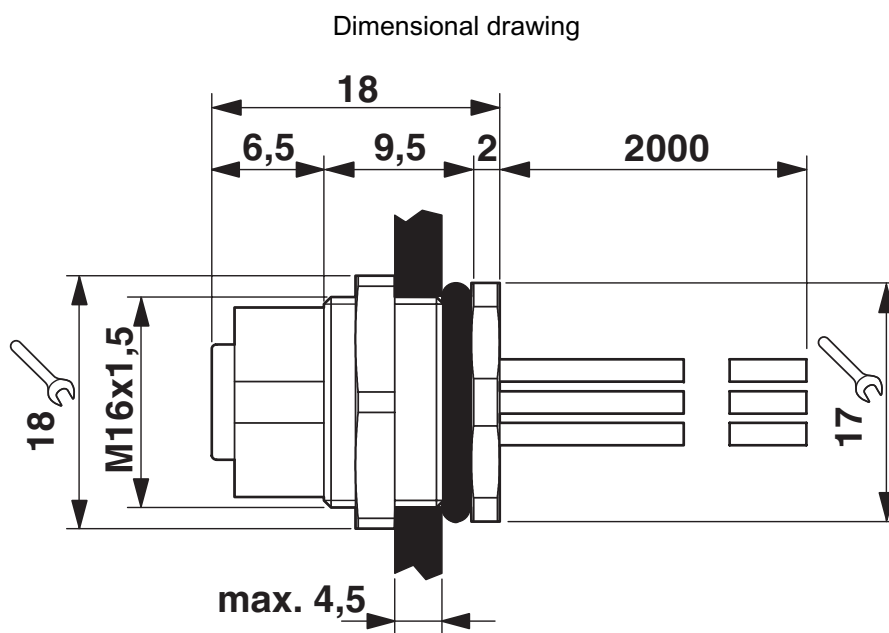
1458790

<https://www.phoenixcontact.com/au/products/1458790>

## Drawings



Housing cutout for M16 fastening thread, mounting panel with thread

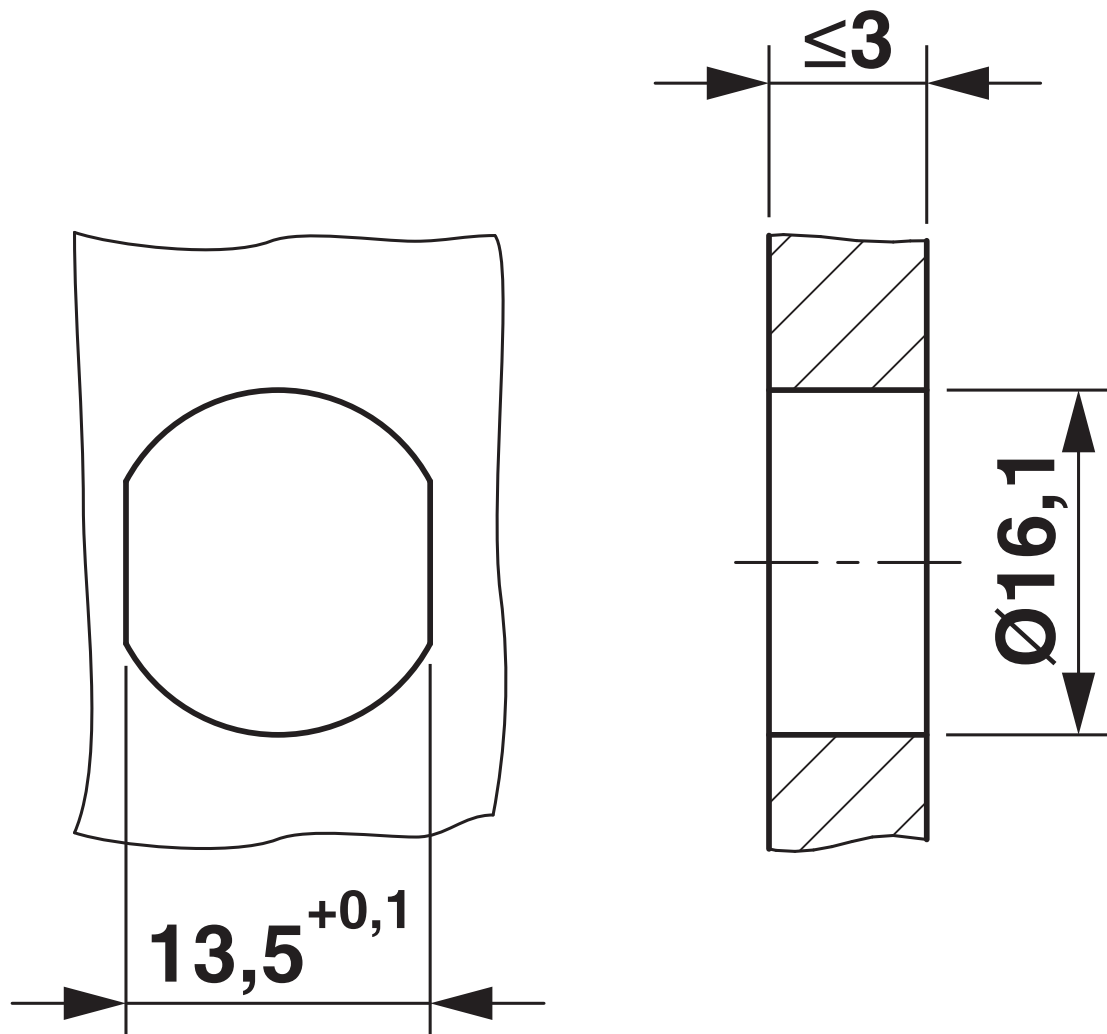


# Device connector, rear mounting - SACC-DSI-M12FS-12CON-M16/2,0

1458790

<https://www.phoenixcontact.com/au/products/1458790>

Dimensional drawing



Housing cutout for M16 fastening thread, mounting panel with feed-through hole (alternatively with area as anti-rotation protection for panel thicknesses > 2 mm up to max. 4.5 mm)

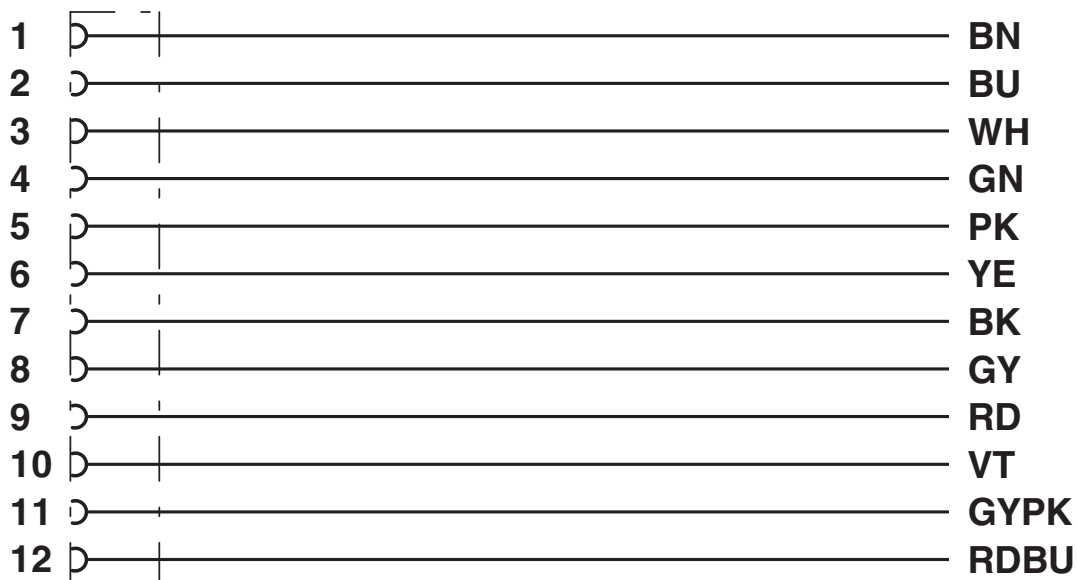
# Device connector, rear mounting - SACC-DSI-M12FS-12CON-M16/2,0



1458790

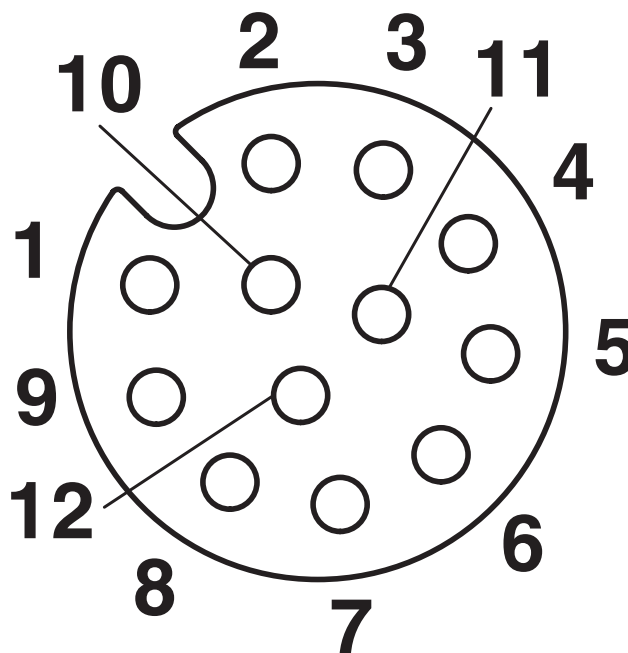
<https://www.phoenixcontact.com/au/products/1458790>

Circuit diagram



Contact assignment of the M12 socket

Schematic diagram



Pin assignment M12, 12-pos., female side view

# Device connector, rear mounting - SACC-DSI-M12FS-12CON-M16/2,0



1458790

<https://www.phoenixcontact.com/au/products/1458790>

## Approvals



### UL Recognized

Approval ID: FILE E 118976

	Nominal Voltage $U_N$	Nominal Current $I_N$	Cross Section AWG	Cross Section $\text{mm}^2$
	30 V	1.5 A	- 26	-



### EAC

Approval ID: B.01687



### cULus Recognized

Approval ID: E221474-20140616

	Nominal Voltage $U_N$	Nominal Current $I_N$	Cross Section AWG	Cross Section $\text{mm}^2$
	30 V	1.5 A	- 26	-

# Device connector, rear mounting - SACC-DSI-M12FS-12CON-M16/2,0



1458790

<https://www.phoenixcontact.com/au/products/1458790>

## Classifications

### ECLASS

ECLASS-9.0	27440102
ECLASS-10.0.1	27440102
ECLASS-11.0	27440102

### ETIM

ETIM 8.0	EC002635
----------	----------

### UNSPSC

UNSPSC 21.0	39121400
-------------	----------

# Device connector, rear mounting - SACC-DSI-M12FS-12CON-M16/2,0



1458790

<https://www.phoenixcontact.com/au/products/1458790>

## Environmental Product Compliance

REACH SVHC	Lead 7439-92-1
China RoHS	Environmentally Friendly Use Period = 50 years
	For information on hazardous substances, refer to the manufacturer's declaration available under "Downloads"

Phoenix Contact 2022 © - all rights reserved  
<https://www.phoenixcontact.com>

PHOENIX CONTACT PTY Ltd  
Unit 7, 2-8 South Street  
Rydalmere NSW 2116  
1300 786 411  
[customerservice@phoenixcontact.com.au](mailto:customerservice@phoenixcontact.com.au)