

# Bus system flat-type plug - SACC-CI-M12FSD-4CON-SH TOR 32



1457636

<https://www.phoenixcontact.com/us/products/1457636>

Please be informed that the data shown in this PDF document is generated from our Online Catalog. Please find the complete data in the user documentation. Our General Terms of Use for Downloads are valid.



Bus system flat-type plug, 4-position, Socket, straight, M12, D-coded, PCB mounting, THR solder connection, Alternative product in accordance with RoHS II without Exemption 6c (Pb < 0.1%): 1237400

## Your advantages

- Reduced mounting costs thanks to two-piece device connector
- Packaging available for automated pick and place assembly
- All common pin assignments and codings available
- Easy device integration thanks to mechanical port screw connections with threaded attachment, press-in contour or direct integration in the front plate
- Additional gasket for the device when not plugged in

# Bus system flat-type plug - SACC-CI-M12FSD-4CON-SH TOR 32



1457636

<https://www.phoenixcontact.com/us/products/1457636>

## Commercial Data

Item number	1457636
Packing unit	1 pc
Minimum order quantity	100 pc
Sales Key	A11
Product Key	ABQCBF
Catalog Page	Page 257 (C-2-2013)
GTIN	4046356617383
Weight per Piece (including packing)	6.69 g
Weight per Piece (excluding packing)	6.238 g
Customs tariff number	85366990
Country of origin	DE

# Bus system flat-type plug - SACC-CI-M12FSD-4CON-SH TOR 32



1457636

<https://www.phoenixcontact.com/us/products/1457636>

## Technical Data

### Notes

Notes on operation	The electrical and mechanical data specified assume that the connector pair is correctly locked and mounted. If the connector is unlocked and if there is a danger of contamination, the connector must be sealed using a protective cap > IP54. Influences arising from litz wires, cables or PCB assembly must also be taken into consideration.
--------------------	--

### Product properties

Product type	Contact insert
Number of positions	4
Shielded	yes
Coding	D - data

### Insulation characteristics

Overvoltage category	II
Degree of pollution	3

### Electrical properties

Rated surge voltage	2.5 kV
Contact resistance	$\leq 3 \text{ m}\Omega$
Insulation resistance	$\geq 100 \text{ M}\Omega$
Nominal voltage $U_N$	250 V
Nominal current $I_N$	4 A

### Material specifications

Flammability rating according to UL 94	V0
Sealing material	FKM
Contact material	CuZn
Contact surface material	Ni/Au
Contact carrier material	PA

### Connector

Insertion/withdrawal cycles	> 100
-----------------------------	-------

### Header 1

Head design	Socket
Head cable outlet	straight
Head thread type	M12
Coding	D-coded

### Environmental and real-life conditions

# Bus system flat-type plug - SACC-CI-M12FSD-4CON-SH TOR 32



1457636

<https://www.phoenixcontact.com/us/products/1457636>

## Ambient conditions

Degree of protection (when plugged in)	correctly plugged in and locked
Degree of protection	correctly plugged in and locked
Degree of protection	IP67, when plugged in
Ambient temperature (operation)	-25 °C ... 85 °C
	-40 °C ... 85 °C (without mechanical actuation)

## Standards and regulations

### M12

Standards/specifications	IEC 61076-2-101
--------------------------	-----------------

## Mounting

Mounting type	PCB mounting
---------------	--------------

## Packaging specifications

Type of packaging	Belt
Delivery state	with assembly pad

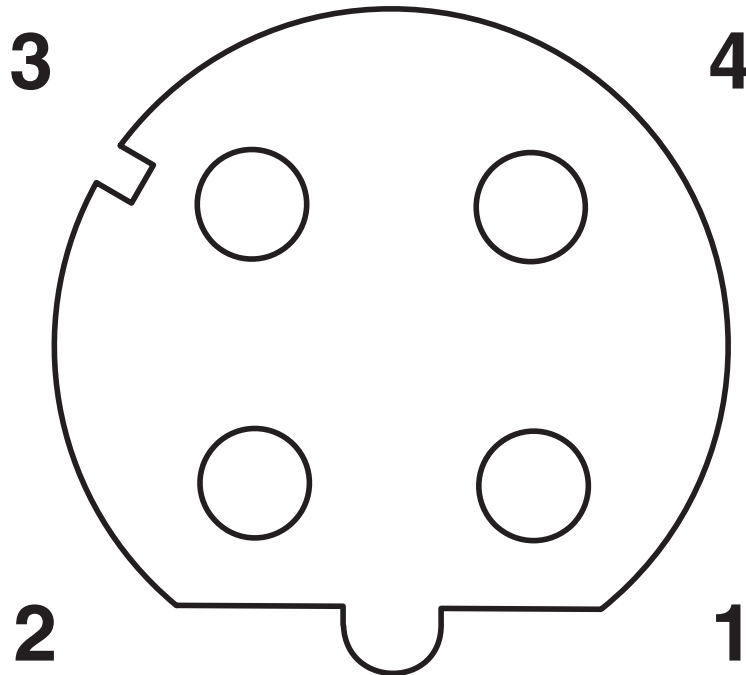
# Bus system flat-type plug - SACC-CI-M12FSD-4CON-SH TOR 32

1457636

<https://www.phoenixcontact.com/us/products/1457636>

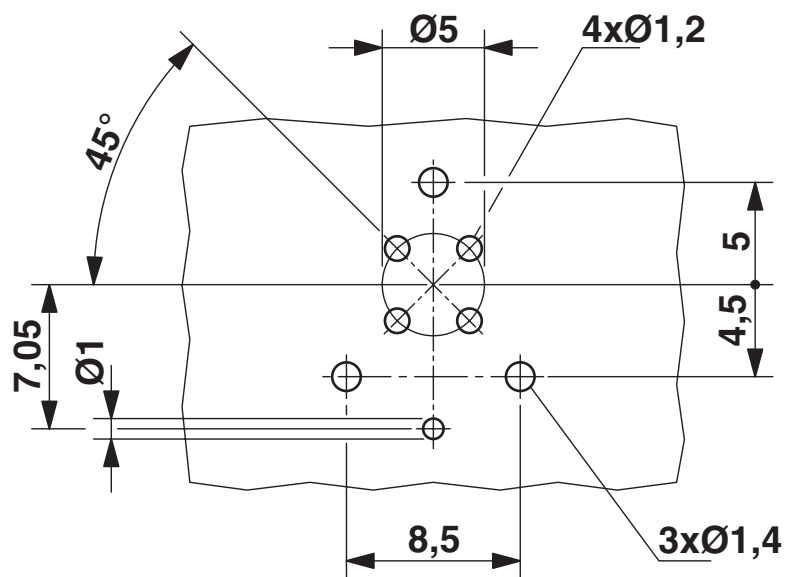
## Drawings

Schematic diagram



Pin assignment M12 socket, 4-pos., D-coded, female side

Drilling plan/solder pad geometry

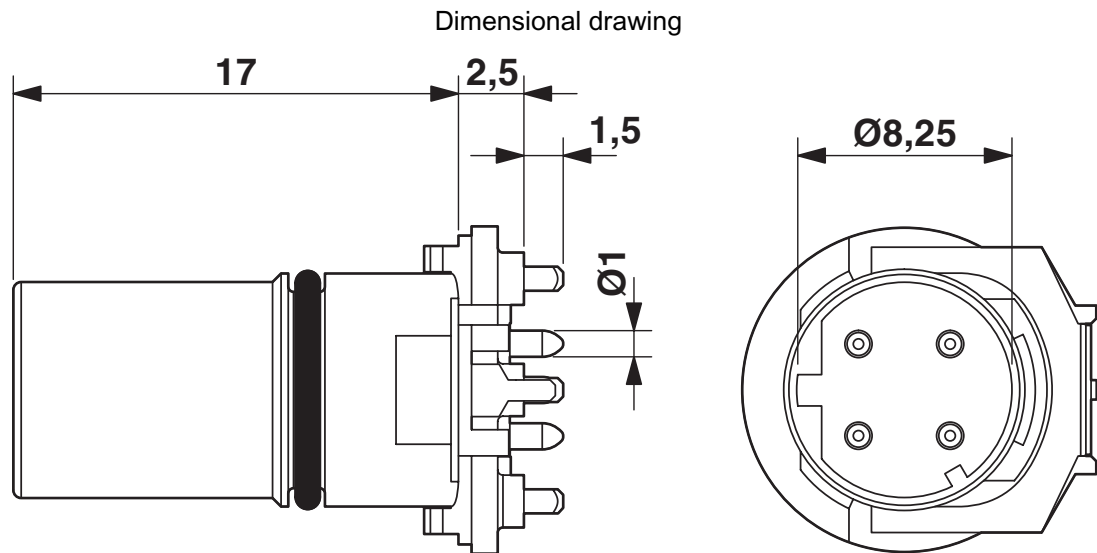


Drilling diagram

# Bus system flat-type plug - SACC-CI-M12FSD-4CON-SH TOR 32

1457636

<https://www.phoenixcontact.com/us/products/1457636>



M12 female connector contact carrier


# Bus system flat-type plug - SACC-CI-M12FSD-4CON-SH TOR 32





1457636


<https://www.phoenixcontact.com/us/products/1457636>

## Approvals

 <b>cUL Recognized</b> Approval ID: FILE E 118976	Nominal Voltage $U_N$	Nominal Current $I_N$	Cross Section AWG	Cross Section $\text{mm}^2$
	250 V	4 A	- 22	-

 <b>UL Recognized</b> Approval ID: FILE E 118976	Nominal Voltage $U_N$	Nominal Current $I_N$	Cross Section AWG	Cross Section $\text{mm}^2$
	250 V	4 A	- 22	-

 <b>EAC</b> Approval ID: B.01687
---

 <b>cULus Recognized</b> Approval ID: E221474-20140616	Nominal Voltage $U_N$	Nominal Current $I_N$	Cross Section AWG	Cross Section $\text{mm}^2$
	250 V	4 A	22 - 20	-

<b>cULus Recognized</b>
-------------------------

# Bus system flat-type plug - SACC-CI-M12FSD-4CON-SH TOR 32



1457636

<https://www.phoenixcontact.com/us/products/1457636>

## Classifications

### ECLASS

ECLASS-9.0	27440102
ECLASS-10.0.1	27440102
ECLASS-11.0	27440102

### ETIM

ETIM 8.0	EC002635
----------	----------

### UNSPSC

UNSPSC 21.0	39121400
-------------	----------

# Bus system flat-type plug - SACC-CI-M12FSD-4CON-SH TOR 32



1457636

<https://www.phoenixcontact.com/us/products/1457636>

## Environmental Product Compliance

REACH SVHC	Lead 7439-92-1
China RoHS	Environmentally Friendly Use Period = 50 years
	For information on hazardous substances, refer to the manufacturer's declaration available under "Downloads"

# Bus system flat-type plug - SACC-CI-M12FSD-4CON-SH TOR 32

1457636

<https://www.phoenixcontact.com/us/products/1457636>

## Accessories

### Screw plug

Screw plug - PROT-M12 - 1680539

<https://www.phoenixcontact.com/us/products/1680539>



An M12 screw plug for the unoccupied M12 sockets of the sensor/actuator cable, boxes and flush-type connectors

---

### Housing screw connection

Housing screw connection - SACC-M12-SCO NUT - 1552243

<https://www.phoenixcontact.com/us/products/1552243>



M12 SPEEDCON housing screw connection for M12 female inserts, with O-ring, for all SPEEDCON-capable THR and wave soldering contact carriers

# Bus system flat-type plug - SACC-CI-M12FSD-4CON-SH TOR 32

1457636

<https://www.phoenixcontact.com/us/products/1457636>

## Screw plug

Screw plug - PROT-M12 SH - 1503302

<https://www.phoenixcontact.com/us/products/1503302>



An M12 screw plug for the unoccupied M12 sockets of the shielded sensor/actuator cable, boxes and flush-type connectors

---

## Housing screw connection

Housing screw connection - SACC-DSIV-M12-NUT - 1416144

<https://www.phoenixcontact.com/us/products/1416144>



Housing screw connection with M12 standard thread, with O-ring, for the two-piece straight M12 THR contact carrier and for the two-piece angled M12 contact carrier

# Bus system flat-type plug - SACC-CI-M12FSD-4CON-SH TOR 32

1457636

<https://www.phoenixcontact.com/us/products/1457636>

## Screw plug

Screw plug - PROT-M12 FB - 1555538

<https://www.phoenixcontact.com/us/products/1555538>



M12 high-grade steel screw plug, for unoccupied M12 sockets of the sensor/actuator cables, boxes and flush-type connectors for the food industry

---

## Housing screw connection

Housing screw connection - SACC-M12-SCO NUT L 90 - 1432460

<https://www.phoenixcontact.com/us/products/1432460>



M12-SPEEDCON housing screw connection for M12 female inserts, with flat gasket, for all Speedcon-compatible THR and wave soldering contact carriers

# Bus system flat-type plug - SACC-CI-M12FSD-4CON-SH TOR 32

1457636

<https://www.phoenixcontact.com/us/products/1457636>

## Sample set

Sample set - SACC-CIM12FSD4PL180THRSAMPLE - 1413557

<https://www.phoenixcontact.com/us/products/1413557>



Bus system flush-type socket, Ethernet, 4-pos., D-coded, with straight THR solder connection, only contact insert

---

## Housing screw connection

Housing screw connection - SACC-BP-F-M12/M15-6-THR - 1414004

<https://www.phoenixcontact.com/us/products/1414004>



Housing screw connection, Socket, M12, Rear mounting, M15 x 1

# Bus system flat-type plug - SACC-CI-M12FSD-4CON-SH TOR 32

1457636

<https://www.phoenixcontact.com/us/products/1457636>

## Housing screw connection

Housing screw connection - SACC-BP-F-M12/M15-7-THR - 1414003

<https://www.phoenixcontact.com/us/products/1414003>



Housing screw connection, Socket, M12, Rear mounting, M15 x 1

---

## Housing screw connection

Housing screw connection - SACC-BP-F-M12/M15-6-THR SCO - 1414020

<https://www.phoenixcontact.com/us/products/1414020>



Housing screw connection, Socket, M12-SPEEDCON, Rear mounting, M15 x 1

# Bus system flat-type plug - SACC-CI-M12FSD-4CON-SH TOR 32

1457636

<https://www.phoenixcontact.com/us/products/1457636>

## Housing screw connection

Housing screw connection - SACC-BP-F-M12/M15-7-THR SCO - 1414005

<https://www.phoenixcontact.com/us/products/1414005>



Housing screw connection, Socket, M12-SPEEDCON, Rear mounting, M15 x 1

---

## Housing screw connection

Housing screw connection - SACC-BP-F-M12/THR-1,0/1,8-9TIP - 1419630

<https://www.phoenixcontact.com/us/products/1419630>



M12 threaded sleeve with tolerance-compensating function, for straight, THR solderable M12 socket contact inserts. Suitable for 1.0 mm ... 1.8 mm thick front plates.

# Bus system flat-type plug - SACC-CI-M12FSD-4CON-SH TOR 32

1457636

<https://www.phoenixcontact.com/us/products/1457636>

## Housing screw connection

Housing screw connection - SACC-BP-F-M12/THR-1,7/2,5-9TIP - 1419631

<https://www.phoenixcontact.com/us/products/1419631>



M12 threaded sleeve with tolerance-compensating function, for straight, THR solderable M12 socket contact inserts. Suitable for 1.7 mm ... 2.5 mm thick front plates.

---

## Housing screw connection

Housing screw connection - SACC-BP-F-M12/THR-2,4/3,2-9TIP - 1419633

<https://www.phoenixcontact.com/us/products/1419633>



M12 threaded sleeve with tolerance-compensating function, for straight, THR solderable M12 socket contact inserts. Suitable for 2.4 mm ... 3.2 mm thick front plates.

# Bus system flat-type plug - SACC-CI-M12FSD-4CON-SH TOR 32

1457636

<https://www.phoenixcontact.com/us/products/1457636>

## Housing screw connection

Housing screw connection - SACC-BP-F-M12/THR-3,1/3,9-9TIP - 1419634

<https://www.phoenixcontact.com/us/products/1419634>



M12 threaded sleeve with tolerance-compensating function, for straight, THR solderable M12 socket contact inserts. Suitable for 3.1 mm ... 3.9 mm thick front plates.

---

## Housing screw connection

Housing screw connection - SACC-M12 NUT PRESS - 1437889

<https://www.phoenixcontact.com/us/products/1437889>



Housing screw connection for two-piece M12 connectors for the reflow soldering process.

# Bus system flat-type plug - SACC-CI-M12FSD-4CON-SH TOR 32

1457636

<https://www.phoenixcontact.com/us/products/1457636>

## Housing screw connection

Housing screw connection - SACC-DSIV-M12-NUT-9 THR - 1417989

<https://www.phoenixcontact.com/us/products/1417989>



M12 female connector, front mounting THR with M14 screw fastening

---

## Housing screw connection

Housing screw connection - SACC-BP-F-M12-THR PP - 1027662

<https://www.phoenixcontact.com/us/products/1027662>



Housing screw connection, Socket, M12-Push-Pull, Rear mounting, M16, THR- und Wellenlötkontakte

# Bus system flat-type plug - SACC-CI-M12FSD-4CON-SH TOR 32



1457636

<https://www.phoenixcontact.com/us/products/1457636>

## Housing screw connection

Housing screw connection - SACC-FP-F-M12-THR PP - 1027678

<https://www.phoenixcontact.com/us/products/1027678>



Housing screw connection, Socket, M12-Push-Pull, Front mounting, M14 x 1, THR- und Wellenlötkontakte

---

Phoenix Contact 2022 © - all rights reserved  
<https://www.phoenixcontact.com>

Phoenix Contact USA  
586 Fulling Mill Road  
Middletown, PA 17057, United States  
(+717) 944-1300  
[info@phoenixcon.com](mailto:info@phoenixcon.com)