

Device connector, rear mounting - SACC-DSI-FSD-4CON-L180/SH GN



1456569

<https://www.phoenixcontact.com/au/products/1456569>

Please be informed that the data shown in this PDF document is generated from our Online Catalog. Please find the complete data in the user documentation. Our General Terms of Use for Downloads are valid.



Bus system flush-type socket, with green contact carrier, 4-pos., M12 SPEEDCON, shielded, D-coded, rear/screw mounting with M16 thread, with straight solder connection

Your advantages

- Easy PCB assembly: one-piece connectors for wave soldering
- All standard pin assignments and codings for signal, data, and power transmission with a uniform design-in design
- For high transmission reliability: optional shield connection to the housing by means of shield contact

Device connector, rear mounting - SACC-DSI-FSD-4CON-L180/SH GN



1456569

<https://www.phoenixcontact.com/au/products/1456569>

Commercial Data

Item number	1456569
Packing unit	20 pc
Minimum order quantity	20 pc
Sales Key	ABQCAB
Product Key	ABQCAB
Catalog Page	Page 90 (C-2-2013)
GTIN	4046356617192
Weight per Piece (including packing)	14.195 g
Weight per Piece (excluding packing)	14.195 g
Customs tariff number	85366990
Country of origin	DE

Device connector, rear mounting - SACC-DSI-FSD-4CON-L180/SH GN



1456569

<https://www.phoenixcontact.com/au/products/1456569>

Technical Data

Notes

Notes on operation	The electrical and mechanical data specified assume that the connector pair is correctly locked and mounted. If the connector is unlocked and if there is a danger of contamination, the connector must be sealed using a protective cap > IP54. Influences arising from litz wires, cables or PCB assembly must also be taken into consideration.
--------------------	--

Product properties

Product type	Circular connectors (device side)
Number of positions	4
Shielded	yes
Coding	D - data

Insulation characteristics

Overvoltage category	II
Degree of pollution	3

Ambient conditions

Degree of protection	IP67 (When plugged in)
	IP65 (When plugged in)
Degree of protection	IP65/IP67
Ambient temperature (operation)	-40 °C ... 70 °C (Plug / socket)
	-50 °C ... 70 °C (Cable, flexible installation)
	-20 °C ... 60 °C (cable, fixed installation)

Dimensions

Dimensional drawing	
Length of the solder pin	6 mm
	6 mm

Connector

Header 1

Head design	Socket
Head cable outlet	straight
Head thread type	M12
Head locking type	SPEEDCON

Device connector, rear mounting - SACC-DSI-FSD-4CON-L180/SH GN



1456569

<https://www.phoenixcontact.com/au/products/1456569>

Coding	D-coded
--------	---------

Electrical properties

Rated surge voltage	2.5 kV
Contact resistance	$\leq 3 \text{ m}\Omega$
Insulation resistance	$\geq 100 \text{ M}\Omega$
Nominal voltage U_N	250 V
Nominal current I_N	4 A

Material specifications

Color	green
Flammability rating according to UL 94	V0
Sealing material	NBR
Material of grip body	Zinc die-cast, nickel-plated
Contact material	CuZn
Contact surface material	Ni/Au
Contact carrier material	PA 6.6
Cable gland material	Zinc die-cast, nickel-plated

Connection data

Conductor connection	
Connection method	Solder pins

Mounting

Mounting type	Rear mounting Pg9 With flat nut
Assembly instructions	With flat nut

Standards and regulations

M12	
Standards/specifications	IEC 61076-2-101

Device connector, rear mounting - SACC-DSI-FSD-4CON-L180/SH GN

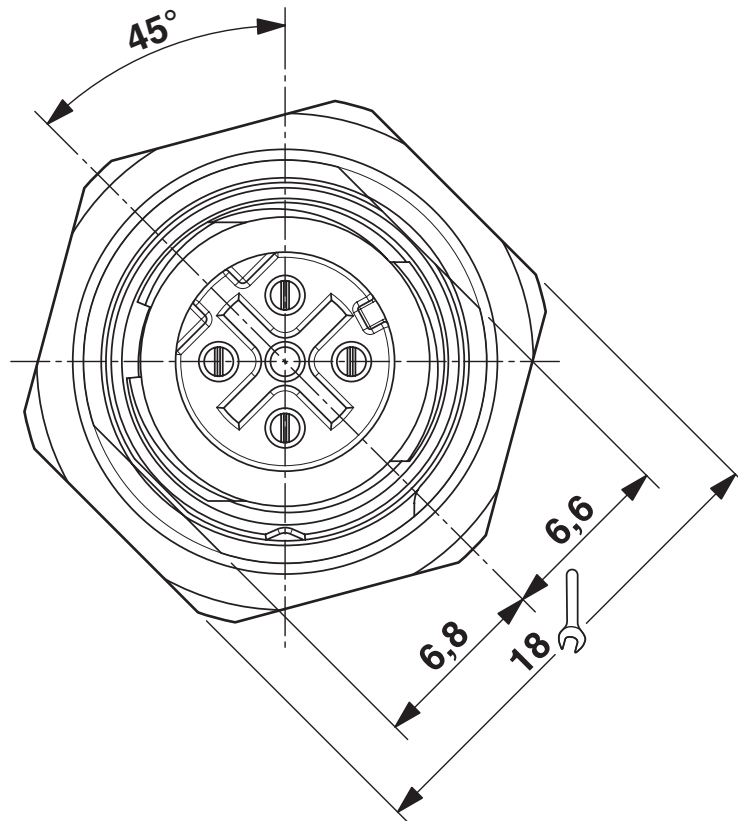


1456569

<https://www.phoenixcontact.com/au/products/1456569>

Drawings

Dimensional drawing

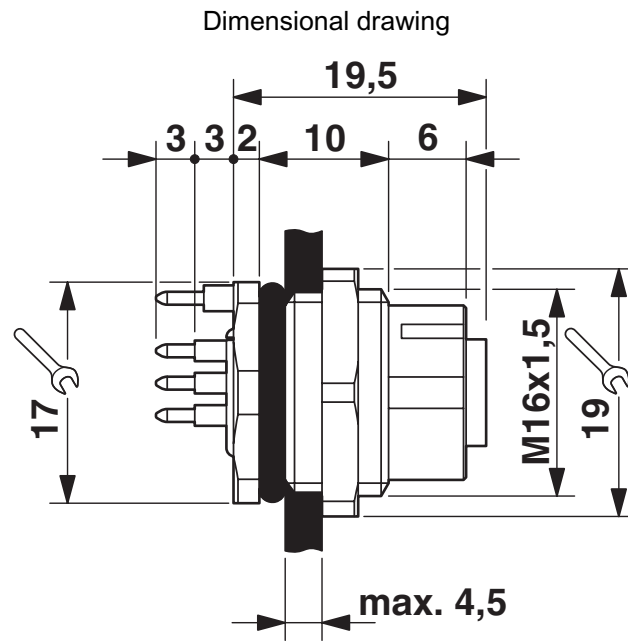


M12 front view

Device connector, rear mounting - SACC-DSI-FSD-4CON-L180/SH GN

1456569

<https://www.phoenixcontact.com/au/products/1456569>



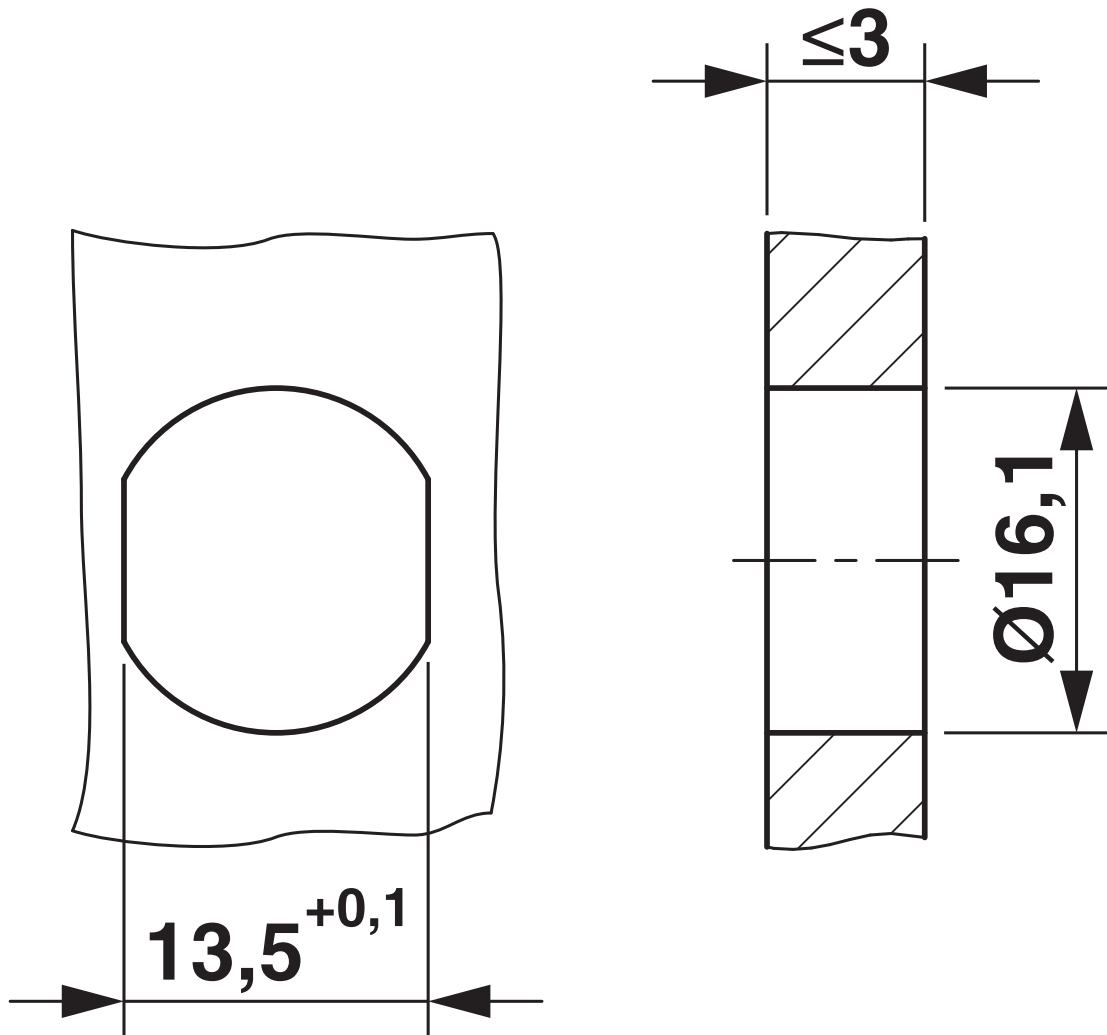
M12 flush-type connector

Device connector, rear mounting - SACC-DSI-FSD-4CON-L180/SH GN

1456569

<https://www.phoenixcontact.com/au/products/1456569>

Dimensional drawing



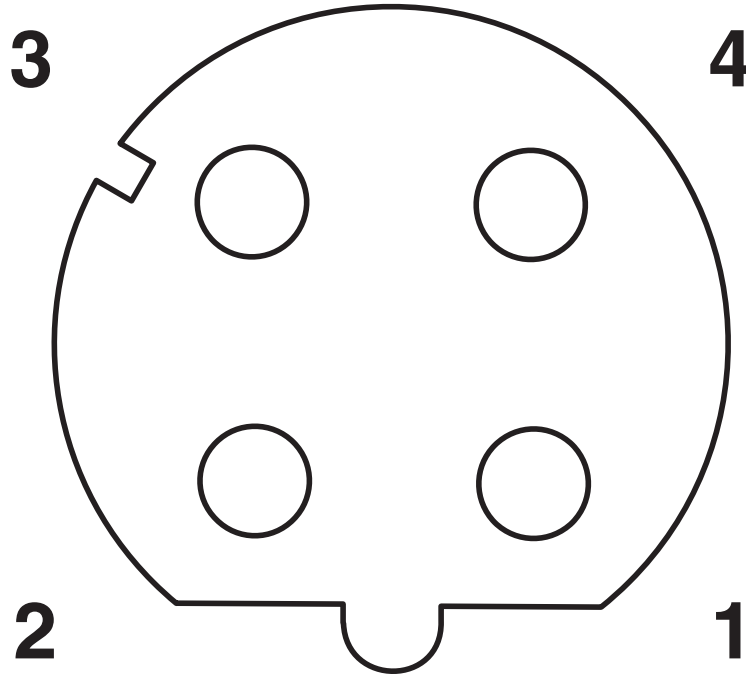
Housing cutout for M16 fastening thread, mounting panel with feed-through hole (alternatively with area as anti-rotation protection for panel thicknesses > 2 mm up to max. 4.5 mm)

Device connector, rear mounting - SACC-DSI-FSD-4CON-L180/SH GN

1456569

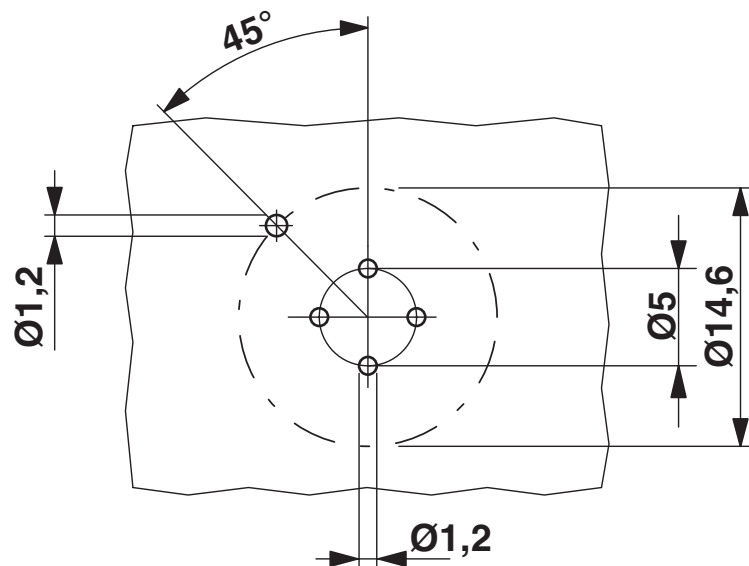
<https://www.phoenixcontact.com/au/products/1456569>

Schematic diagram



Pin assignment M12 socket, 4-pos., D-coded, female side

Drilling plan/solder pad geometry



Device connector, rear mounting - SACC-DSI-FSD-4CON-L180/SH GN



1456569

<https://www.phoenixcontact.com/au/products/1456569>

Approvals



UL Recognized

Approval ID: FILE E 118976

	Nominal Voltage U_N	Nominal Current I_N	Cross Section AWG	Cross Section mm^2
	250 V	4 A	- 22	-



EAC

Approval ID: B.01687



cULus Recognized

Approval ID: E221474-20140616

	Nominal Voltage U_N	Nominal Current I_N	Cross Section AWG	Cross Section mm^2
	250 V	4 A	22 - 20	-

Device connector, rear mounting - SACC-DSI-FSD-4CON-L180/SH GN



1456569

<https://www.phoenixcontact.com/au/products/1456569>

Classifications

ECLASS

ECLASS-9.0	27440102
ECLASS-10.0.1	27440102
ECLASS-11.0	27440102

ETIM

ETIM 8.0	EC002635
----------	----------

UNSPSC

UNSPSC 21.0	39121400
-------------	----------

Device connector, rear mounting - SACC-DSI-FSD-4CON-L180/SH GN



1456569

<https://www.phoenixcontact.com/au/products/1456569>

Environmental Product Compliance

REACH SVHC	Lead 7439-92-1
China RoHS	Environmentally Friendly Use Period = 50 years
	For information on hazardous substances, refer to the manufacturer's declaration available under "Downloads"

Phoenix Contact 2022 © - all rights reserved
<https://www.phoenixcontact.com>

PHOENIX CONTACT PTY Ltd
Unit 7, 2-8 South Street
Rydalmere NSW 2116
1300 786 411
customerservice@phoenixcontact.com.au