

Device connector, rear mounting - SACC-DSI-M 8FS-6CON-M12/0,5



1453465

<https://www.phoenixcontact.com/au/products/1453465>

Please be informed that the data shown in this PDF document is generated from our Online Catalog. Please find the complete data in the user documentation. Our General Terms of Use for Downloads are valid.



Device connector, rear mounting, 6-position, Socket, straight, M8, Rear mounting, M12 x 1, Individual wires, cable length: 0.5 m, 0.14 mm², PVC litz wire

Your advantages

- Pre-assembled with litz wires for immediate use
- Customer-specific assemblies and litz wire lengths available
- Sealed on the litz wire side for optimum leak-tightness
- Standard pin assignments and codings for signal transmission with a uniform design-in design

Device connector, rear mounting - SACC-DSI-M 8FS-6CON-M12/0,5



1453465

<https://www.phoenixcontact.com/au/products/1453465>

Commercial Data

Item number	1453465
Packing unit	1 pc
Minimum order quantity	1 pc
Sales Key	ABQBBD
Product Key	ABQBBD
Catalog Page	Page 34 (C-2-2019)
GTIN	4046356554398
Weight per Piece (including packing)	22.5 g
Weight per Piece (excluding packing)	20.7 g
Customs tariff number	85444290
Country of origin	DE

Device connector, rear mounting - SACC-DSI-M 8FS-6CON-M12/0,5



1453465

<https://www.phoenixcontact.com/au/products/1453465>

Technical Data

Product properties

Product type	Circular connectors (device side)
Number of positions	6
No. of cable outlets	1
Shielded	no
Coding	A - standard

Insulation characteristics

Overvoltage category	II
Degree of pollution	3

Ambient conditions

Degree of protection	IP67
Degree of protection	IP67
Ambient temperature (operation)	-25 °C ... 85 °C (Socket)
	-40 °C ... 105 °C (cable, fixed installation)
	-10 °C ... 105 °C (Cable, flexible installation)

Connector

Header 1

Head design	Socket
Head cable outlet	straight
Head thread type	M8

Electrical properties

Rated surge voltage	0.8 kV
Contact resistance	≤ 3 mΩ
Insulation resistance	≥ 100 MΩ
Nominal voltage U_N	30 V AC
	30 V DC
Nominal current I_N	1.5 A

Material specifications

Material	PU 2K (Grout material)
Flammability rating according to UL 94	HB
Sealing material	FKM
Contact material	Cu alloy
Contact surface material	Au
Contact carrier material	PUR / PA 6.6
Cable gland material	Nickel-plated brass

Device connector, rear mounting - SACC-DSI-M 8FS-6CON-M12/0,5



1453465

<https://www.phoenixcontact.com/au/products/1453465>

Connection data

Conductor connection

Connection method	Individual wires
-------------------	------------------

Mounting

Mounting type	Rear mounting M12 x 1 With flat nut
Assembly instructions	With flat nut

Standards and regulations

M8

Standards/specifications	IEC 61076-2-104
--------------------------	-----------------

Cable / line

Cable length	0.5 m
--------------	-------

Cable structure

Cable type	PVC litz wire
Conductor material	Tin-plated Cu litz wires
Conductor structure signal line	7x 0.16 mm
AWG signal line	26
Material wire insulation	PVC / UL
Thickness, insulation	0.38 mm
Wire diameter incl. insulation	1.3 mm ±0.1 mm
Single wire, color	Black, brown, blue, white, gray, pink

Electrical properties

Nominal voltage, cable	300 V
Test voltage, cable	2000 V AC
Conductor resistance	≥ 80 Ω/km
Cable insulation resistance	≥ 20 MΩ*km

Ambient conditions

Ambient temperature (operation)	-10 °C ... 105 °C (Cable, flexible installation)
	-40 °C ... 105 °C (cable, fixed installation)

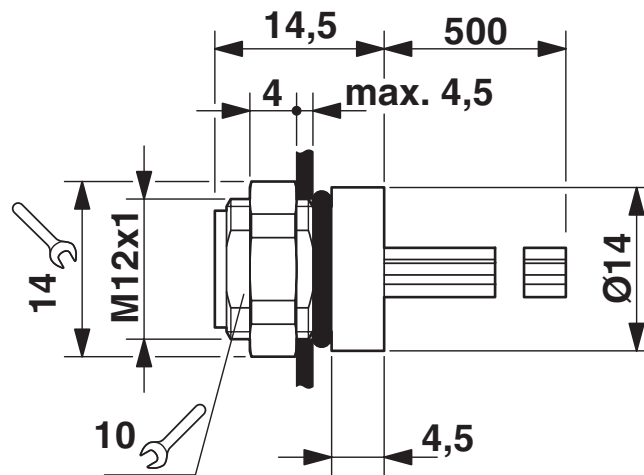
Device connector, rear mounting - SACC-DSI-M 8FS-6CON-M12/0,5

1453465

<https://www.phoenixcontact.com/au/products/1453465>

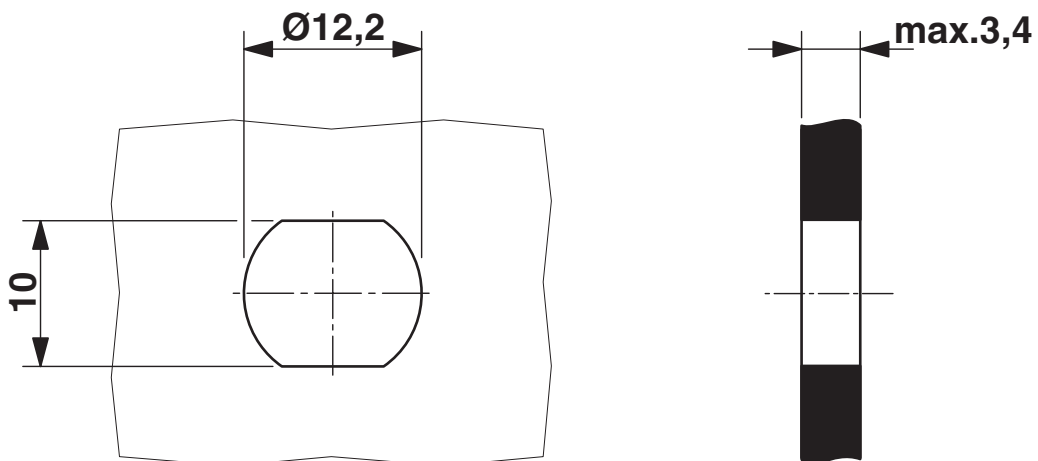
Drawings

Dimensional drawing



M8 flush-type socket

Dimensional drawing



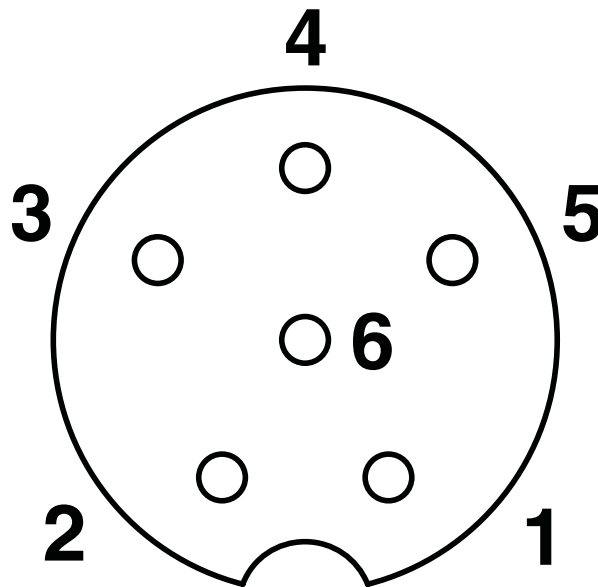
Housing cutout for M8 flush-type connector, socket, one-section

Device connector, rear mounting - SACC-DSI-M 8FS-6CON-M12/0,5

1453465

<https://www.phoenixcontact.com/au/products/1453465>

Schematic diagram



Pin assignment M8 socket, 6-pos.


Device connector, rear mounting - SACC-DSI-M 8FS-6CON-M12/0,5





1453465

<https://www.phoenixcontact.com/au/products/1453465>

Approvals

 cUL Recognized Approval ID: FILE E 221474	Nominal Voltage U_N	Nominal Current I_N	Cross Section AWG	Cross Section mm^2
	30 V	1.5 A	- 26	-

 UL Recognized Approval ID: FILE E 221474	Nominal Voltage U_N	Nominal Current I_N	Cross Section AWG	Cross Section mm^2
	30 V	1.5 A	- 26	-

 EAC Approval ID: B.01687

cULus Recognized

Device connector, rear mounting - SACC-DSI-M 8FS-6CON-M12/0,5



1453465

<https://www.phoenixcontact.com/au/products/1453465>

Classifications

ECLASS

ECLASS-9.0	27440102
ECLASS-10.0.1	27440102
ECLASS-11.0	27440102

ETIM

ETIM 8.0	EC002635
----------	----------

UNSPSC

UNSPSC 21.0	39121400
-------------	----------

Device connector, rear mounting - SACC-DSI-M 8FS-6CON-M12/0,5



1453465

<https://www.phoenixcontact.com/au/products/1453465>

Environmental Product Compliance

REACH SVHC	Lead 7439-92-1
China RoHS	Environmentally Friendly Use Period = 50 years
	For information on hazardous substances, refer to the manufacturer's declaration available under "Downloads"

Phoenix Contact 2022 © - all rights reserved
<https://www.phoenixcontact.com>

PHOENIX CONTACT PTY Ltd
Unit 7, 2-8 South Street
Rydalmere NSW 2116
1300 786 411
customerservice@phoenixcontact.com.au