

# Sensor/actuator cable - SAC-2P-MS/0,3-PUR/ZC-1L-S SCO



1453261

<https://www.phoenixcontact.com/pc/products/1453261>

Please be informed that the data shown in this PDF document is generated from our Online Catalog. Please find the complete data in the user documentation. Our General Terms of Use for Downloads are valid.



Sensor/actuator cable, 2-position, PUR, gray RAL 7001, Plug straight M12 SPEEDCON, coding: A, on Valve connector Festo ZC, with 1 LED, cable length: 0.3 m

## Your advantages

- Easy and safe: 100% electrically tested plug-in components
- Save time, thanks to installation with SPEEDCON fast locking system
- Connecting cable specially for Festo KMYZ9 type valves

## Commercial Data

Item number	1453261
Packing unit	1 pc
Minimum order quantity	1 pc
Product Key	BF1DWA
GTIN	4046356550970
Weight per Piece (including packing)	16.5 g
Weight per Piece (excluding packing)	16.5 g
Customs tariff number	85444290
Country of origin	PL

# Sensor/actuator cable - SAC-2P-MS/0,3-PUR/ZC-1L-S SCO



1453261

<https://www.phoenixcontact.com/pc/products/1453261>

## Technical Data

### Product properties

Product type	Sensor/actuator cable with valve connector
Number of positions	2
Application	Standard
No. of cable outlets	1
Shielded	no
Coding	A - standard

### Insulation characteristics

Overvoltage category	II
Degree of pollution	3

### Material specifications

Flammability rating according to UL 94	HB
Sealing material	NBR
Material housing valve plug	PA
Contact material	CuSn
Contact surface material	Ni/Au
Contact carrier material	TPU GF
Contact material	CuSn
Contact surface material	Sn
Material for screw connection	Zinc die-cast, nickel-plated

### Electrical properties

Contact resistance	$\leq 5 \text{ m}\Omega$
Insulation resistance	$\geq 100 \text{ M}\Omega$
Nominal voltage $U_N$	24 V DC
Nominal current $I_N$	4 A
Protective circuit	Protective circuit and holding current reduction

### Valve connector characteristics

Fixing screws	M2
---------------	----

### Mechanical properties

#### Mechanical data

Insertion/withdrawal cycles	$\geq 100$
-----------------------------	------------

### LED signaling

Status display	1 LED
Status display present	yes

### Connector

# Sensor/actuator cable - SAC-2P-MS/0,3-PUR/ZC-1L-S SCO



1453261

<https://www.phoenixcontact.com/pc/products/1453261>

## Connection 1

Head design	Plug
Head cable outlet	straight
Head thread type	M12
Head locking type	SPEEDCON
Coding	A

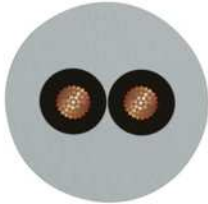
## Connection 2

Head design	Valve connector
Head thread type	Festo ZC
Status indicator head	1 LED

## Cable / line

Cable length	0.3 m
--------------	-------

## PUR gray [PUR]

Dimensional drawing	
Number of positions	2
Shielded	no
Cable type	PUR gray [PUR]
AWG signal line	24
Conductor cross section	2x 0.25 mm <sup>2</sup> (Signal line)
External cable diameter	3.4 mm
Outer sheath, material	PUR
External sheath, color	gray RAL 7001
Conductor material	Bare Cu litz wires
Single wire, color	black, black
Ambient temperature (operation)	-10 °C ... 50 °C (cable, fixed installation) -10 °C ... 50 °C (Cable, flexible installation)

## Ambient conditions

Degree of protection	IP65 IP67 IP68
Ambient temperature (operation)	-10 °C ... 50 °C (valve plug) -25 °C ... 90 °C (Plug / socket)

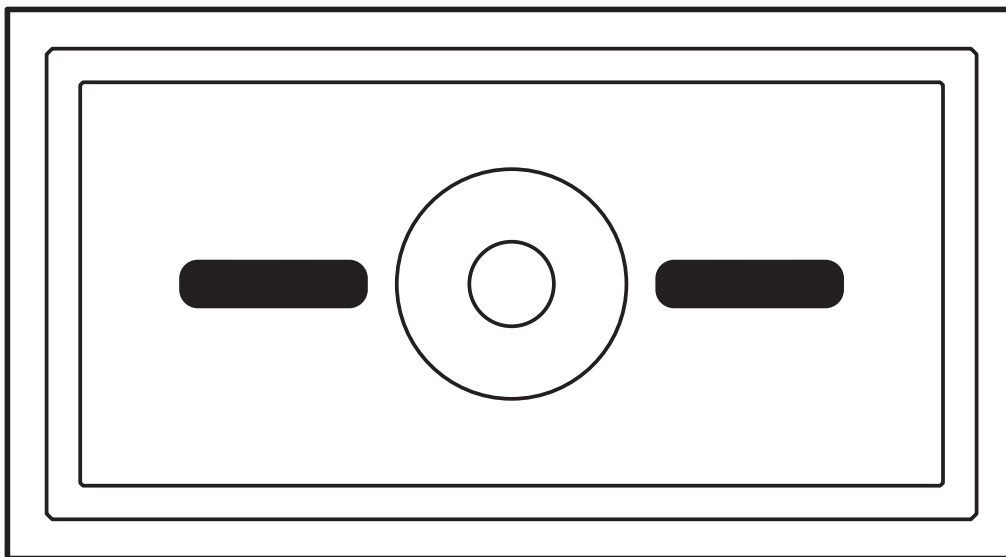
# Sensor/actuator cable - SAC-2P-MS/0,3-PUR/ZC-1L-S SCO

1453261

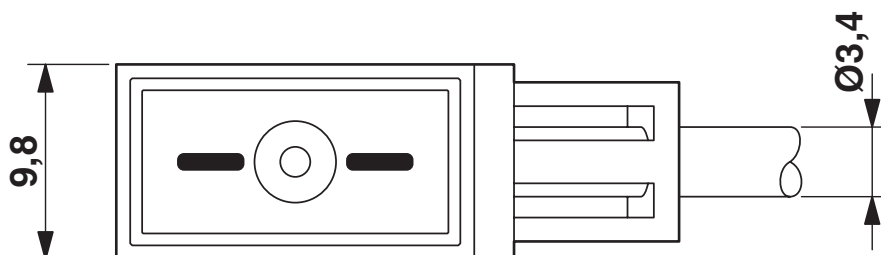
<https://www.phoenixcontact.com/pc/products/1453261>

## Drawings

Schematic diagram



Dimensional drawing



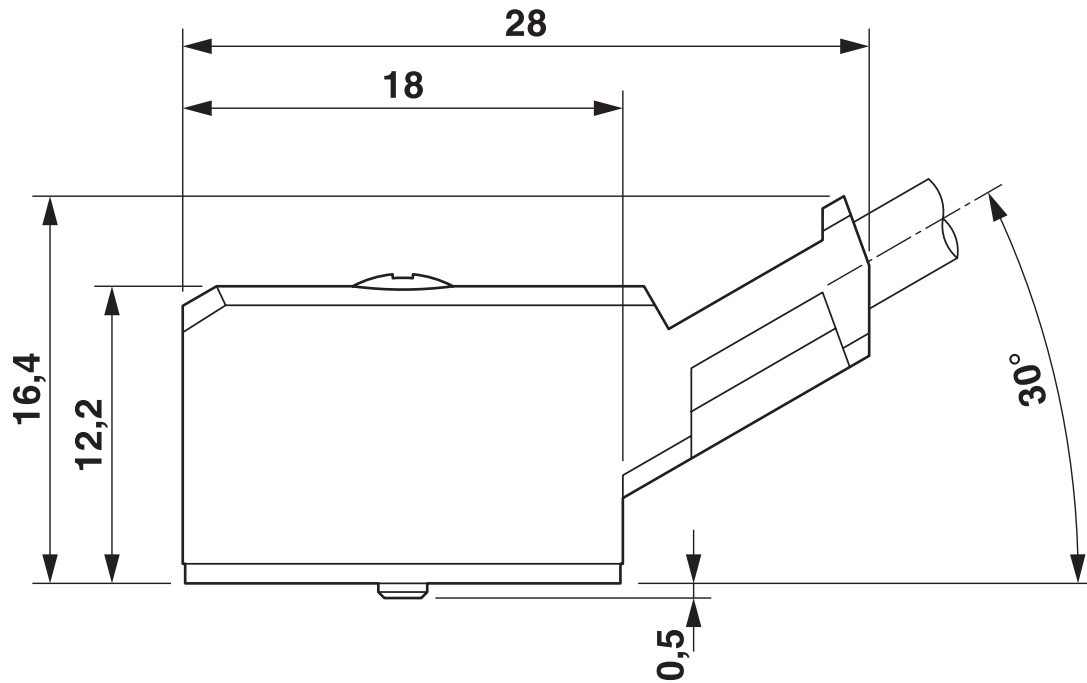
# Sensor/actuator cable - SAC-2P-MS/0,3-PUR/ZC-1L-S SCO



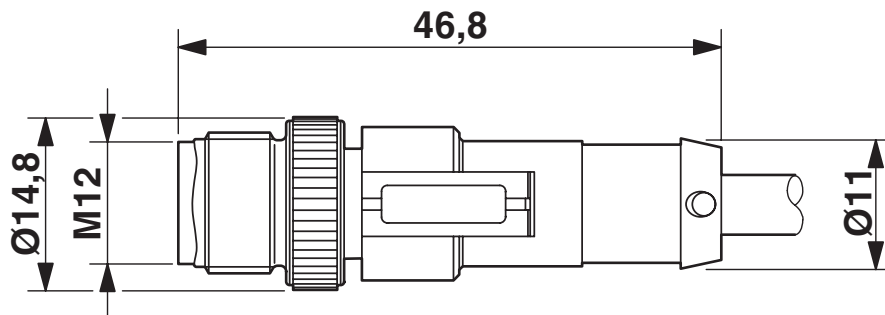
1453261

<https://www.phoenixcontact.com/pc/products/1453261>

Dimensional drawing



Dimensional drawing



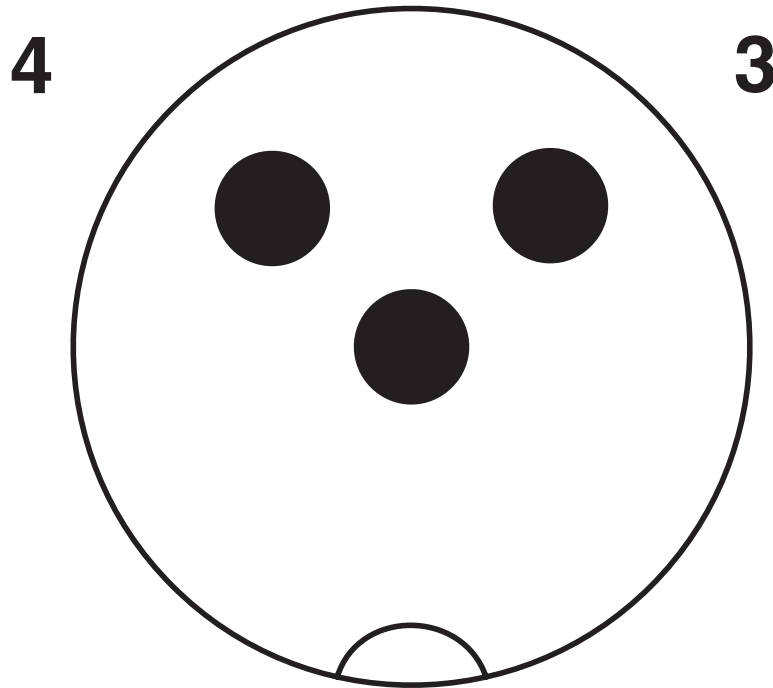
# Sensor/actuator cable - SAC-2P-MS/0,3-PUR/ZC-1L-S SCO



1453261

<https://www.phoenixcontact.com/pc/products/1453261>

Schematic diagram



# Sensor/actuator cable - SAC-2P-MS/0,3-PUR/ZC-1L-S SCO



1453261

<https://www.phoenixcontact.com/pc/products/1453261>

## Approvals



**EAC**

Approval ID: RU C-DE.BL08.B.00286



**EAC**

Approval ID: RU D-DE.HB35.B.00387

# Sensor/actuator cable - SAC-2P-MS/0,3-PUR/ZC-1L-S SCO



1453261

<https://www.phoenixcontact.com/pc/products/1453261>

## Classifications

### ECLASS

ECLASS-9.0	27060312
ECLASS-10.0.1	27060312
ECLASS-11.0	27060312

### ETIM

ETIM 8.0	EC001855
----------	----------

### UNSPSC

UNSPSC 21.0	31251500
-------------	----------

# Sensor/actuator cable - SAC-2P-MS/0,3-PUR/ZC-1L-S SCO



1453261

<https://www.phoenixcontact.com/pc/products/1453261>

## Environmental Product Compliance

China RoHS	Environmentally friendly use period: unlimited = EFUP-e
	No hazardous substances above threshold values

# Sensor/actuator cable - SAC-2P-MS/0,3-PUR/ZC-1L-S SCO



1453261

<https://www.phoenixcontact.com/pc/products/1453261>

## Accessories

### Sealing cap

Sealing cap - PROT-M12 FS-PA-CHAIN - 1430873

<https://www.phoenixcontact.com/pc/products/1430873>

M12 sealing cap made of plastic with fixing band, for sensor cables, for free M12 plugs



---

### Locking clip

Locking clip - SAC-M12-EXCLIP-M - 1558988

<https://www.phoenixcontact.com/pc/products/1558988>

Locking clip for the pin side of sensor/actuator cables with M12 connector and M12 connectors for assembly, for knurl diameter: 15 mm or for Allen key with a wrench size of 14 mm, prevents the disconnection of plug-in connections without tools



# Sensor/actuator cable - SAC-2P-MS/0,3-PUR/ZC-1L-S SCO



1453261

<https://www.phoenixcontact.com/pc/products/1453261>

## Insert label

Insert label - PABA WH/23 - 1013779

<https://www.phoenixcontact.com/pc/products/1013779>



Insert label, Strip, white, unlabeled, can be labeled with: CMS-P1-PLOTTER, mounting type: slide-on, cable diameter range: 1.5 ... 35 mm, lettering field size: 23 x 4 mm, Number of individual labels: 20

---

## Insert label

Insert label - PABA YE/23 - 1013782

<https://www.phoenixcontact.com/pc/products/1013782>



Insert label, Strip, yellow, unlabeled, can be labeled with: CMS-P1-PLOTTER, mounting type: slide-on, cable diameter range: 1.5 ... 35 mm, lettering field size: 23 x 4 mm, Number of individual labels: 20

# Sensor/actuator cable - SAC-2P-MS/0,3-PUR/ZC-1L-S SCO



1453261

<https://www.phoenixcontact.com/pc/products/1453261>

## Marker pen

Marker pen - B-STIFT - 1051993

<https://www.phoenixcontact.com/pc/products/1051993>



Marker pen, for manual labeling of unprinted Zack strips, smear-proof and waterproof, line thickness 0.5 mm

---

## Torque screwdriver

Torque screwdriver - TSD 04 SAC - 1208429

<https://www.phoenixcontact.com/pc/products/1208429>



Torque screwdriver, with preset torque of 0.4 Nm and 4 mm hexagonal drive for M12 connectors

# Sensor/actuator cable - SAC-2P-MS/0,3-PUR/ZC-1L-S SCO



1453261

<https://www.phoenixcontact.com/pc/products/1453261>

## Torque screwdriver

Torque screwdriver - TSD-M 1,2NM - 1212224

<https://www.phoenixcontact.com/pc/products/1212224>



Torque screw driver, accuracy as per EN ISO 6789 standard, adjustable from 0.3 - 1.2 Nm

---

## Adapter insert

Adapter insert - TSD-M SAC-BIT ADAPTER - 1212600

<https://www.phoenixcontact.com/pc/products/1212600>



Adapter bit for TSD-M...torque tools, E6.3-1/4" drive with 4 mm hexagon to accommodate SAC bits

# Sensor/actuator cable - SAC-2P-MS/0,3-PUR/ZC-1L-S SCO



1453261

<https://www.phoenixcontact.com/pc/products/1453261>

## Tool

Tool - SAC BIT M12-D15 - 1208432

<https://www.phoenixcontact.com/pc/products/1208432>



Nut for assembling sensor/actuator cables with M12 connector and M12 connectors for assembly, with a knurl diameter of 15 mm, for 4 mm hexagonal drive

---

Phoenix Contact 2023 © - all rights reserved

<https://www.phoenixcontact.com>

PHOENIX CONTACT GmbH & Co. KG

Flachsmarktstraße 8

D-32825 Blomberg

+49 (0) 5235-3 00

[info@phoenixcontact.com](mailto:info@phoenixcontact.com)